

rear connection stud round short; 1 unit accessory for: 3VA53/54; 3VA63/64



| Model | |
|--------------------------|----------------------------|
| product brand name | SETRON |
| product designation | rear connection stud round |
| accessories | Stud terminal |
| Mechanical Design | |
| Net Weight | 285 g |
| Certificates | |
| General Product Approval | |





[Confirmation](#)



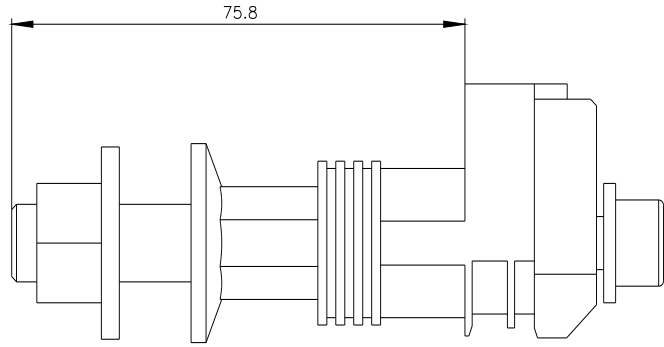
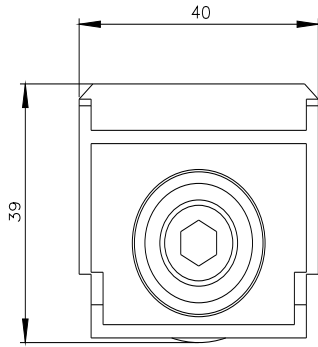
[Miscellaneous](#)



| EMV | Test Certificates | Maritime application | other | Environment |
|---|--|---|------------------------------|---|
|  | Type Test Certificates/Test Report |  | Confirmation | Environmental Confirmations |

| Environment |
|---|
| Environmental Confirmations |

| Further information |
|--|
| Information on the packaging https://support.industry.siemens.com/cs/ww/en/view/109813875 |
| Information for data generation and storage https://support.industry.siemens.com/cs/ww/en/view/109995012 |
| Information- and Downloadcenter (Catalogs, Brochures,...) https://www.siemens.com/lowvoltage/catalogs |
| Industry Mall (Online ordering system) https://mall.industry.siemens.com/mall/en/en/Catalog/product?mlfb=3VA9471-0QF10 |
| Service&Support (Manuals, Certificates, Characteristics, FAQs,...) https://support.industry.siemens.com/cs/ww/en/ps/3VA9471-0QF10 |
| Image database (product images, 2D dimension drawings, 3D models, device circuit diagrams, ...) https://www.automation.siemens.com/bilddb/cax_en.aspx?mlfb=3VA9471-0QF10 |
| CAX-Online-Generator |



last modified:

5/19/2025 

