



circuit breaker 3VA6 UL frame 1200 breaking capacity class H 65kA @ 480 V 3-pole, line protection ETU860, LSIG, In=1000A 100%-rated, overload protection Ir=400A - 1000A short circuit protection Isd=0,6-10x In, Ii=1,5-12x In w/o connection

Model	
product brand name	SENTRON
product designation	Molded-case circuit breaker
product designation / according to UL file	HNAE
design of the product	System protection
design of the load switch / according to UL 489 / Heating, Air Conditioning, and Refrigeration circuit breaker (HACR Type)	Yes
design of the overcurrent release	ETU860
protection function of the overcurrent release	LSIG
number of poles	3
General technical data	
insulation voltage / rated value	800 V
operating voltage / at AC / rated value	600 V
power loss [W] / maximum	169 W
power loss [W] / for rated value of the current / at AC / in hot operating state / per pole	169 W
mechanical service life (operating cycles) / typical	3 000
electrical endurance (operating cycles) / at AC-1 / at 380/415 V	1 500
electrical endurance (operating cycles) / at AC-1 / at 690 V	500
electrical endurance (operating cycles) / at 480 V	1 500
electrical endurance (operating cycles) / at 600 V	500
product feature / for neutral conductors / upgradable/retrofitable / short-circuit and overload proof	Yes
ground-fault monitoring version	Summation current formation L + N-conductor
product function	
• communication function	Yes
• other measurement function	Yes
Net Weight	25.6 kg
Current	
marking / according to UL 489 / 100%-rated breaker	Yes
operational current	
• at 40 °C	1 000 A
• at 45 °C	1 000 A
• at 50 °C	1 000 A
• at 55 °C	1 000 A
• at 60 °C	1 000 A
• at 65 °C	1 000 A
• at 70 °C	1 000 A
Switching capacity according to IEC 60947	
switching capacity class of the circuit breaker	H

maximum short-circuit current breaking capacity (I <sub>cu</sub> )	
<ul style="list-style-type: none"> <li>● at 240 V</li> <li>● at 415 V</li> <li>● at 690 V</li> </ul>	110 kA 70 kA 30 kA
operating short-circuit current breaking capacity (I <sub>cs</sub> )	
<ul style="list-style-type: none"> <li>● at 240 V</li> <li>● at 415 V</li> <li>● at 690 V</li> </ul>	55 kA 35 kA 15 kA
short-circuit current making capacity (I <sub>cm</sub> )	
<ul style="list-style-type: none"> <li>● at 240 V</li> <li>● at 415 V</li> <li>● at 690 V</li> </ul>	242 kA 154 kA 63 kA

### Switching capacity according to UL 489

current breaking capacity	
<ul style="list-style-type: none"> <li>● at 240 V</li> <li>● at 480 V</li> <li>● at 600 V</li> </ul>	100 kA 65 kA 35 kA

### Adjustable parameters

adjustable response value setting current (I <sub>r</sub> ) / of the L-trip / with I <sub>2t</sub> characteristic	
<ul style="list-style-type: none"> <li>● minimum</li> <li>● maximum</li> </ul>	400 A 1 000 A
adjustable response value delay time (t <sub>r</sub> ) / for L-tripping / with I <sub>2t</sub> characteristic	
<ul style="list-style-type: none"> <li>● minimum</li> <li>● maximum</li> </ul>	2.5 s 30 s
adjustable response value setting current (I <sub>sd</sub> ) / of S-trip / with I <sub>0t</sub> characteristic	
<ul style="list-style-type: none"> <li>● minimum</li> <li>● maximum</li> </ul>	600 A 10 000 A
adjustable response value setting current (I <sub>sd</sub> ) / of S-trip / with I <sub>2t</sub> characteristic	
<ul style="list-style-type: none"> <li>● minimum</li> <li>● maximum</li> </ul>	600 A 10 000 A
adjustable response value delay time (t <sub>sd</sub> ) / for S-tripping / with I <sub>0t</sub> characteristic	
<ul style="list-style-type: none"> <li>● minimum</li> <li>● maximum</li> </ul>	0.05 s 0.5 s
adjustable response value delay time (t <sub>sd</sub> ) / for S-tripping / with I <sub>2t</sub> characteristic	
<ul style="list-style-type: none"> <li>● minimum</li> <li>● maximum</li> </ul>	0.05 s 0.5 s
adjustable response value setting current (I <sub>i</sub> ) / for I-tripping	
<ul style="list-style-type: none"> <li>● minimum</li> <li>● maximum</li> </ul>	1 500 A 12 000 A
adjustable current response value current / for G-tripping / with standard characteristic	
<ul style="list-style-type: none"> <li>● initial value</li> <li>● full-scale value</li> </ul>	200 A 1 000 A
adjustable response value delay time (t <sub>g</sub> ) / for G-tripping / with I <sub>0t</sub> characteristic	
<ul style="list-style-type: none"> <li>● minimum</li> <li>● maximum</li> </ul>	0.05 s 0.8 s
adjustable response value setting current (I <sub>g</sub> ) / for G-tripping / with I <sub>2t</sub> characteristic	
<ul style="list-style-type: none"> <li>● minimum</li> <li>● maximum</li> </ul>	200 A 1 000 A
adjustable response value delay time (t <sub>g</sub> ) / for G-tripping / with I <sub>2t</sub> characteristic	
<ul style="list-style-type: none"> <li>● minimum</li> <li>● maximum</li> </ul>	0.05 s 0.8 s
design of the N-conductor protection	adjustable OFF; 20% to 160%

product function / grounding protection	Yes
<b>Mechanical Design</b>	
product component	
• undervoltage release	No
• trip indicator	No
height [in]	8.14 in
height	206.9 mm
width [in]	8.99 in
width	228.4 mm
depth [in]	16 in
depth	406.4 mm
<b>Connections</b>	
type of electrical connection / for main current circuit	without terminals
design of the surface / of the connections / on the top of the switch (N, 1, 3, 5)	silver
design of the surface / of the connections / on the bottom of the switch (N, 2, 4, 6)	silver
<b>Auxiliary circuit</b>	
number of CO contacts / for auxiliary contacts	0
<b>Environmental conditions</b>	
protection class IP / on the front	IP40
ambient temperature	
• during operation / minimum	-25 °C
• during operation / maximum	70 °C
• during storage / minimum	-40 °C
• during storage / maximum	80 °C
reference code / according to IEC 81346-2	F

**Approvals / Certificates**

**General Product Approval**




[Confirmation](#)



General Product Approval	EMV	Test Certificates	Maritime application
	<a href="#">Miscellaneous</a>		
		<a href="#">Type Test Certificates/Test Report</a>	

other	Dangerous goods	Environment
<a href="#">Confirmation</a>	<a href="#">Miscellaneous</a>	<a href="#">Transport Information</a>
		<a href="#">Environmental Confirmations</a>

**Further information**

Information on the packaging  
<https://support.industry.siemens.com/cs/ww/en/view/109813875>

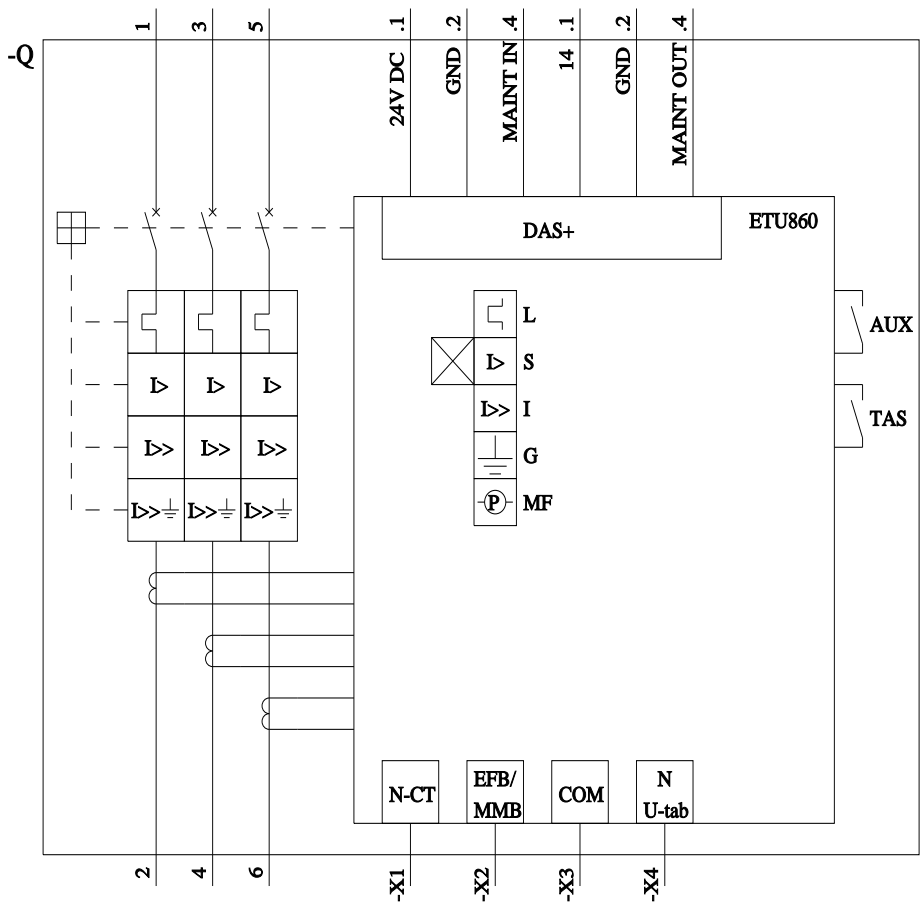
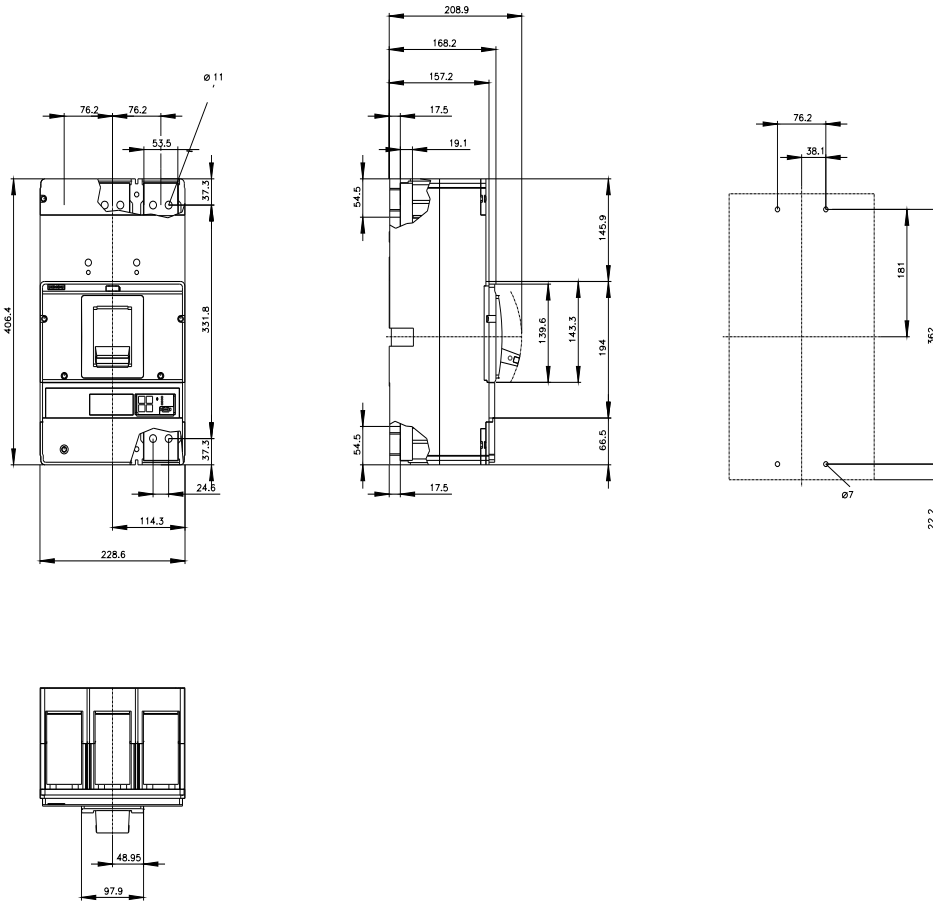
Information for data generation and storage  
<https://support.industry.siemens.com/cs/ww/en/view/109995012>

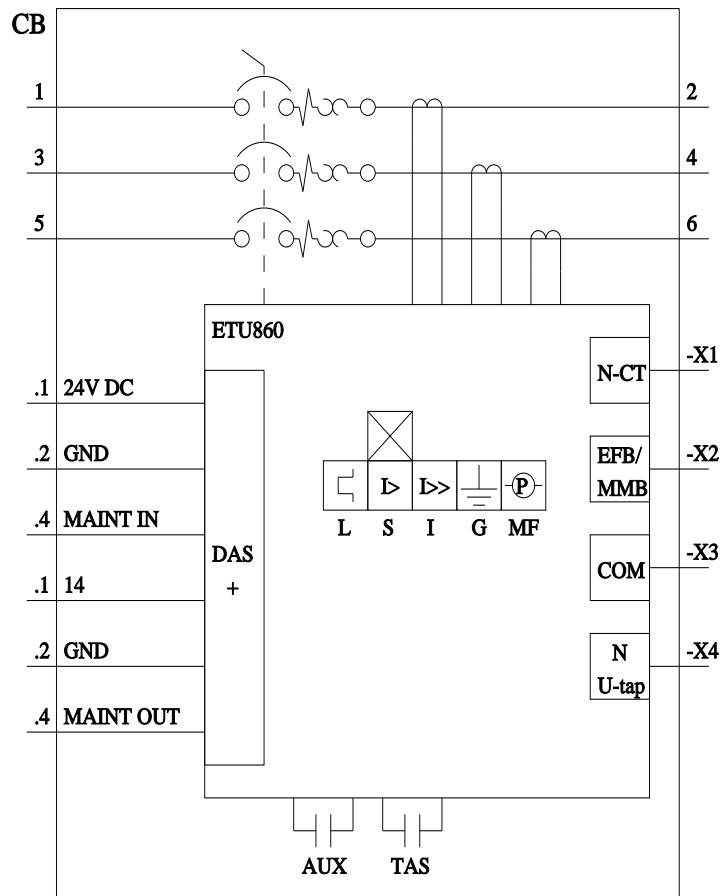
Information- and Downloadcenter (Catalogs, Brochures,...)  
<https://www.siemens.com/lowvoltage/catalogs>

Industry Mall (Online ordering system)  
<https://mall.industry.siemens.com/mall/en/en/Catalog/product?mlfb=3VA6710-6KQ31-2AA0>

Service&Support (Manuals, Certificates, Characteristics, FAQs,...)  
<https://support.industry.siemens.com/cs/ww/en/ps/3VA6710-6KQ31-2AA0>

Image database (product images, 2D dimension drawings, 3D models, device circuit diagrams, ...)  
[https://www.automation.siemens.com/bilddb/cax\\_en.aspx?mlfb=3VA6710-6KQ31-2AA0](https://www.automation.siemens.com/bilddb/cax_en.aspx?mlfb=3VA6710-6KQ31-2AA0)





last modified:

3/31/2025

