








Sealing plug for Free control points, 30 mm, Metal matt, sand gray

product brand name	SIRIUS ACT		
product designation	Sealing plug		
product type designation	3SU1		
<b>Actuator</b>			
shape of the actuating element	round		
outer diameter of the actuating element	38 mm		
<b>General technical data</b>			
protection class IP	IP66, IP67, IP69(IP69K)		
degree of protection NEMA rating	1, 2, 3, 3R, 4, 4X, 12		
reference code according to IEC 81346-2	S		
Substance Prohibittance (Date)	10/01/2014		
Weight	70 g		
<b>Ambient conditions</b>			
ambient temperature	<ul style="list-style-type: none"> <li>during operation: 70 ... -25 °C</li> <li>during storage and transport: -40 ... +80 °C</li> </ul>		
environmental category during operation according to IEC 60721	3M6, 3S2, 3B2, 3C3, 3K6 (with relative air humidity of 10 ... 95%)		
<b>Installation/ mounting/ dimensions</b>			
shape of the installation opening	round		
mounting diameter	30.5 mm		
positive tolerance of installation diameter	0.4 mm		
mounting height	5.3 mm		
installation width	38 mm		
installation depth	31.3 mm		
<b>Accessories</b>			
material of accessory	Metal matt		
color of accessory	sand gray		
<b>Approvals Certificates</b>			
General Product Approval	Test Certificates	Maritime application	
 EG-Konf.			<a href="#">Type Test Certificates/Test Report</a>
			 LRS
Maritime application	other	Environment	



[Confirmation](#)

[Environmental Con-  
firmations](#)

#### Further information

**Information on the packaging**

<https://support.industry.siemens.com/cs/ww/en/view/109813875>

**Information for data generation and storage**

<https://support.industry.siemens.com/cs/ww/en/view/109995012>

**Information- and Downloadcenter (Catalogs, Brochures,...)**

<https://www.siemens.com/ic10>

**Industry Mall (Online ordering system)**

<https://mall.industry.siemens.com/mall/en/en/Catalog/product?mlfb=3SU1960-0FA80-0AA0>

**Cax online generator**

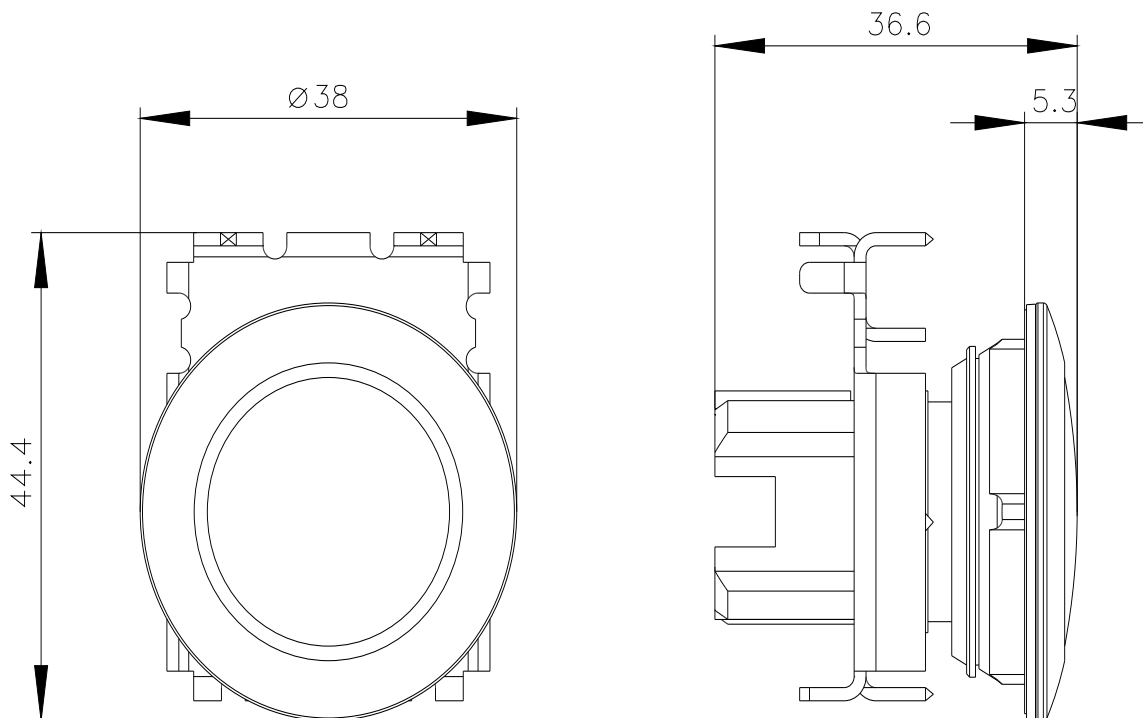
<https://support.automation.siemens.com/WW/CAXorder/default.aspx?lang=en&mlfb=3SU1960-0FA80-0AA0>

**Service&Support (Manuals, Certificates, Characteristics, FAQs,...)**

<https://support.industry.siemens.com/cs/ww/en/ps/3SU1960-0FA80-0AA0>

**Image database (product images, 2D dimension drawings, 3D models, device circuit diagrams, EPLAN macros, ...)**

[https://www.automation.siemens.com/bilddb/cax\\_de.aspx?mlfb=3SU1960-0FA80-0AA0&lang=en](https://www.automation.siemens.com/bilddb/cax_de.aspx?mlfb=3SU1960-0FA80-0AA0&lang=en)



last modified:

4/2/2025