






ID key ID group 1, green



product brand name	SIRIUS ACT		
product designation	ID keys		
product type designation	3SU1		
<b>Actuator</b>			
outer diameter of the actuating element	7.7 mm		
<b>General technical data</b>			
design of the RFID coding	ID Group 1		
Substance Prohibittance (Date)	10/01/2014		
Weight	5 g		
<b>Ambient conditions</b>			
ambient temperature	70 ... -25 °C		
<ul style="list-style-type: none"> <li>during operation</li> <li>during storage and transport</li> </ul>	-40 ... +80 °C		
environmental category during operation according to IEC 60721	3M6, 3S2, 3B2, 3C3, 3K6 (with relative air humidity of 10 ... 95%)		
<b>Environmental footprint</b>			
Environmental Product Declaration(EPD)	Yes		
global warming potential [CO2 eq] total	0.787 kg		
global warming potential [CO2 eq] during manufacturing	0.566 kg		
global warming potential [CO2 eq] during operation	0.235 kg		
global warming potential [CO2 eq] after end of life	-0.015 kg		
<b>Installation/ mounting/ dimensions</b>			
mounting height	8.5 mm		
installation depth	55 mm		
<b>Accessories</b>			
material of accessory	Plastic		
color of accessory	green		
<b>Approvals Certificates</b>			
General Product Approval	Test Certificates	Maritime application	
			
			<a href="#">Type Test Certificates/Test Report</a>
			
Maritime application	other	Environment	



[Confirmation](#)



## Environment

Siemens  
EcoTech



[Environmental Confirmations](#)

## Further information

Information on the packaging

<https://support.industry.siemens.com/cs/ww/en/view/109813875>

Information for data generation and storage

<https://support.industry.siemens.com/cs/ww/en/view/109995012>

Information- and Downloadcenter (Catalogs, Brochures,...)

<https://www.siemens.com/ic10>

Industry Mall (Online ordering system)

<https://mall.industry.siemens.com/mall/en/en/Catalog/product?mlfb=3SU1900-0FV40-0AA0>

Cax online generator

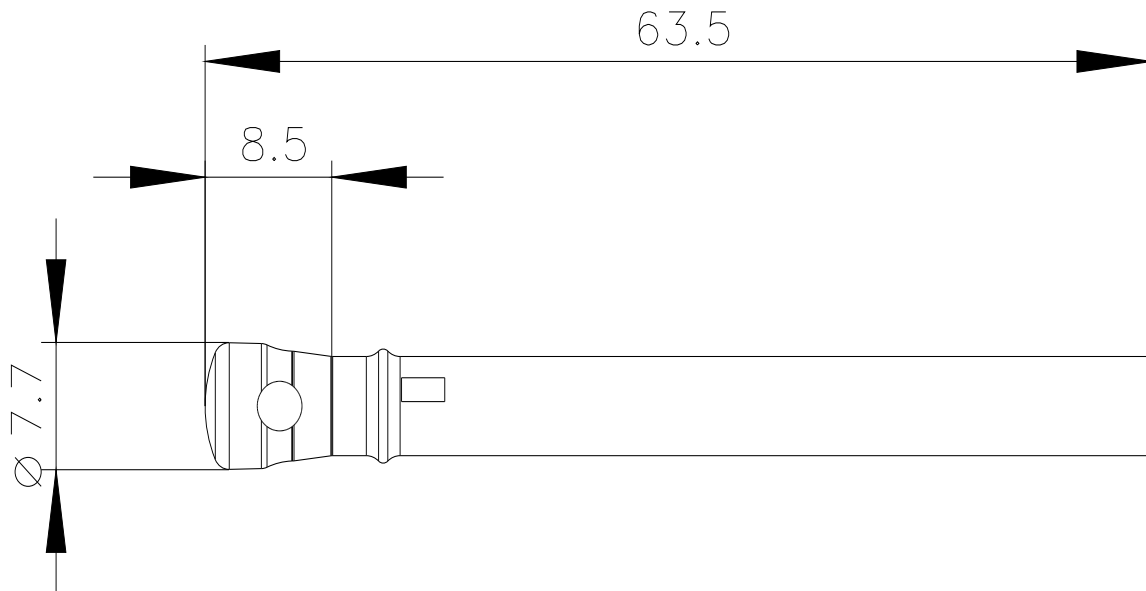
<https://support.automation.siemens.com/WW/CAXorder/default.aspx?lang=en&mlfb=3SU1900-0FV40-0AA0>

Service&Support (Manuals, Certificates, Characteristics, FAQs,...)

<https://support.industry.siemens.com/cs/ww/en/ps/3SU1900-0FV40-0AA0>

Image database (product images, 2D dimension drawings, 3D models, device circuit diagrams, EPLAN macros, ...)

[https://www.automation.siemens.com/bilddb/cax\\_de.aspx?mlfb=3SU1900-0FV40-0AA0&lang=en](https://www.automation.siemens.com/bilddb/cax_de.aspx?mlfb=3SU1900-0FV40-0AA0&lang=en)



last modified:

4/2/2025