






ID key ID group individual, white, programmable via TIA Portal and IO-Link



product brand name	SIRIUS ACT	
product designation	ID keys	
design of the product	ID group individual	
product type designation	3SU1	
Actuator		
outer diameter of the actuating element	7.7 mm	
General technical data		
design of the RFID coding	individually coded, multiple teach-in capability	
Substance Prohibition (Date)	10/01/2014	
Weight	5 g	
Ambient conditions		
ambient temperature	<ul style="list-style-type: none"> during operation: 70 ... -25 °C during storage and transport: -40 ... +80 °C 	
environmental category during operation according to IEC 60721	3M6, 3S2, 3B2, 3C3, 3K6 (with relative air humidity of 10 ... 95%)	
Environmental footprint		
Environmental Product Declaration (EPD)	Yes	
global warming potential [CO2 eq] total	0.787 kg	
global warming potential [CO2 eq] during manufacturing	0.566 kg	
global warming potential [CO2 eq] during operation	0.235 kg	
global warming potential [CO2 eq] after end of life	-0.015 kg	
Installation/ mounting/ dimensions		
mounting height	8.5 mm	
installation depth	55 mm	
Accessories		
material of accessory	Plastic	
color of accessory	white	
Approvals Certificates		
General Product Approval	Test Certificates	Maritime application
   	Type Test Certificates/Test Report	
Maritime application	other	Environment



[Confirmation](#)



Environment

Siemens
EcoTech



[Environmental Confirmations](#)

Further information

Information on the packaging

<https://support.industry.siemens.com/cs/ww/en/view/109813875>

Information for data generation and storage

<https://support.industry.siemens.com/cs/ww/en/view/109995012>

Information- and Downloadcenter (Catalogs, Brochures,...)

<https://www.siemens.com/ic10>

Industry Mall (Online ordering system)

<https://mall.industry.siemens.com/mall/en/en/Catalog/product?mlfb=3SU1900-0FU60-0AA0>

Cax online generator

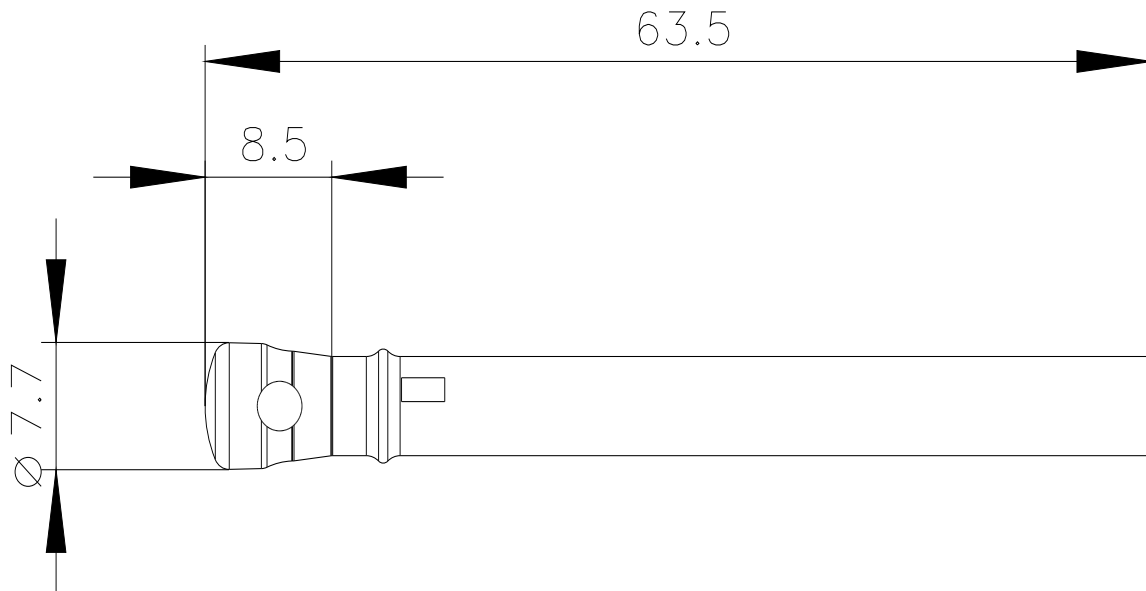
<https://support.automation.siemens.com/WW/CAXorder/default.aspx?lang=en&mlfb=3SU1900-0FU60-0AA0>

Service&Support (Manuals, Certificates, Characteristics, FAQs,...)

<https://support.industry.siemens.com/cs/ww/en/ps/3SU1900-0FU60-0AA0>

Image database (product images, 2D dimension drawings, 3D models, device circuit diagrams, EPLAN macros, ...)

https://www.automation.siemens.com/bilddb/cax_de.aspx?mlfb=3SU1900-0FU60-0AA0&lang=en



last modified:

4/2/2025