



enclosure for command devices, 22 mm, round, enclosure material plastic, enclosure top part gray, 2 command points plastic, B=EMERGENCY-STOP mushroom pushbutton red, 40 mm, rotate-to-unlatch, 2x 1 NC, black label Off, A=pushbutton, blue, 1 NO, black label Reset, spring-loaded terminal, base mounting, M12 plug (8-pole) bottom, insulated reserve conductors, pin assignment: Pin1=11, Pin2=12, Pin3=21, Pin4=22, Pin5=13, Pin6=n.c. Pin7=n.c., Pin8=14, two connections at 2 inputs F-DI, labels enclosed as separate item

product brand name	SIRIUS ACT
product designation	Enclosures
product type designation	3SU1
equipment of commanding and signaling device	A = pushbutton / B = EMERGENCY STOP mushroom pushbutton, 40 mm, with positive latching acc. to ISO 13850 and rotate-to-unlatch mechanism
manufacturer's article number	<ul style="list-style-type: none"> • of supplied contact module at the command point A 1 3SU1400-2AA10-3LA0 • of supplied contact module at the command point B 1 3SU1400-2AA10-3CA0 • of supplied contact module at the command point B 2 3SU1400-2AA10-3CA0 • of the supplied holder at the command point A 3SU1500-0AA10-0AA0 • of the supplied holder at the command point B 3SU1500-0AA10-0AA0 • of the supplied actuator at the command point A 3SU1000-0AA50-0AA0 • of the supplied actuator at the command point B 3SU1000-1HB20-0AA0 • of supplied empty enclosure 3SU1802-0AA00-0AB1 • of the supplied accessories at the command point A 3SU1900-0AF16-0DU0 • of the supplied accessories at the command point B 3SU1900-0AF16-0DK0
Enclosure	
design of the housing	with recess for label
shape of the enclosure front	rectangular
material of the enclosure	plastic
number of command points	2
product component	
• EMERGENCY STOP device	Yes
• protective collar	No
color of the enclosure top part	grey
delivery state	
• as a kit	No
• pre-wired on strip terminal	Yes
fastening method of the enclosure	Vertical
Actuator	
design of the actuating element	Pushbutton / EMERGENCY STOP mushroom pushbutton
suitability for use EMERGENCY OFF switch	Yes
product feature lockout	No
product extension optional light source	No
color of the actuating element	A = blue / B = red
material of the actuating element	plastic
shape of the actuating element	round
number of contact modules	3
type of unlocking device	A = none / B = rotate to unlock

Front ring	
product component front ring	Yes
design of the front ring	Standard
material of the front ring	plastic
color of the front ring	black
Holder	
material of the holder	Plastic
Display	
number of LED modules	0
General technical data	
product function	
• positive opening	Yes
• EMERGENCY OFF function	Yes
• EMERGENCY STOP function	Yes
protection class IP	IP66, IP67, IP69(IP69K)
degree of protection NEMA rating	1, 2, 3, 3R, 4, 4X, 12K, 13
shock resistance	
• according to IEC 60068-2-27	sinusoidal half-wave 15g / 11 ms
• for railway applications according to EN 61373	Category 1, Class B
vibration resistance	
• according to IEC 60068-2-6	10 ... 500 Hz: 5g
• for railway applications according to EN 61373	Category 1, Class B
reference code according to IEC 81346-2	S
continuous current of the C characteristic MCB	10 A; for a short-circuit current smaller than 400 A
continuous current of the quick DIAZED fuse link	10 A
continuous current of the DIAZED fuse link gG	10 A
Substance Prohibitance (Date)	07/01/2006
SVHC substance name	Lead - 7439-92-1
Weight	504 g
operating voltage	
• at AC	
— at 50 Hz rated value	5 ... 500 V
— at 60 Hz rated value	5 ... 500 V
• at DC rated value	5 ... 500 V
cable entry type	M12 plug, 8-pole
Communication/ Protocol	
design of the interface for communication	without
Auxiliary circuit	
design of the contact of auxiliary contacts	Silver alloy
number of NC contacts for auxiliary contacts	2
number of NO contacts for auxiliary contacts	1
Connections/ Terminals	
type of electrical connection of modules and accessories	Spring-type terminal
type of electrical connection on enclosure	M12 plug, 8-pole
tightening torque of the screws in the bracket	1 ... 1.2 N·m
tightening torque of fixing screws in the enclosure cover	1.5 ... 1.7 N·m
Safety related data	
product function suitable for safety function	Yes
test wear-related service life necessary	Yes
proportion of dangerous failures	
• with low demand rate according to SN 31920	20 %
• with high demand rate per NC contact according to SN 31920	20 %
B10 value with high demand rate according to SN 31920	100 000
failure rate [FIT] with low demand rate per NC contact according to SN 31920	100 FIT
ISO 13849	
device type according to ISO 13849-1	3
IEC 61508	

T1 value for proof test interval or service life according to IEC 61508	20 a
---	------

Ambient conditions

ambient temperature	
<ul style="list-style-type: none"> during operation during storage 	<p>-25 ... +70 °C</p> <p>-40 ... +80 °C</p>
environmental category during operation according to IEC 60721	3M6, 3S2, 3B2, 3K6 (with relative air humidity of 10 ... 95%, no condensation in operation permitted for all devices behind front panel)

Environmental footprint

Environmental Product Declaration (EPD)	Yes
global warming potential [CO2 eq] total	0.787 kg
global warming potential [CO2 eq] during manufacturing	0.566 kg
global warming potential [CO2 eq] during operation	0.235 kg
global warming potential [CO2 eq] after end of life	-0.015 kg

Installation/ mounting/ dimensions

fastening method of modules and accessories	Floor mounting
height	114 mm
width	85 mm
depth	64 mm
shape of the installation opening	round

Accessories

number of labels	2
marking of the name plate for command devices	A = "Reset" / B = "Off"
color of the label	A = black / B = black
number of inscription plates	0
number of backing plates	0

Approvals Certificates

General Product Approval



Test Certificates	Maritime application	other
-------------------	----------------------	-------

[Type Test Certificates/Test Report](#)



other	Environment
-------	-------------

[Confirmation](#)



Siemens
EcoTech



[Environmental Confirmations](#)

Further information

Information on the packaging

<https://support.industry.siemens.com/cs/ww/en/view/109813875>

Information for data generation and storage

<https://support.industry.siemens.com/cs/ww/en/view/109995012>

Information- and Downloadcenter (Catalogs, Brochures,...)

<https://www.siemens.com/ic10>

Industry Mall (Online ordering system)

<https://mall.industry.siemens.com/mall/en/en/Catalog/product?mlfb=3SU1802-0NE00-4SB1>

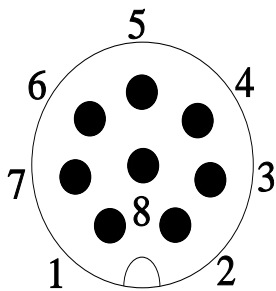
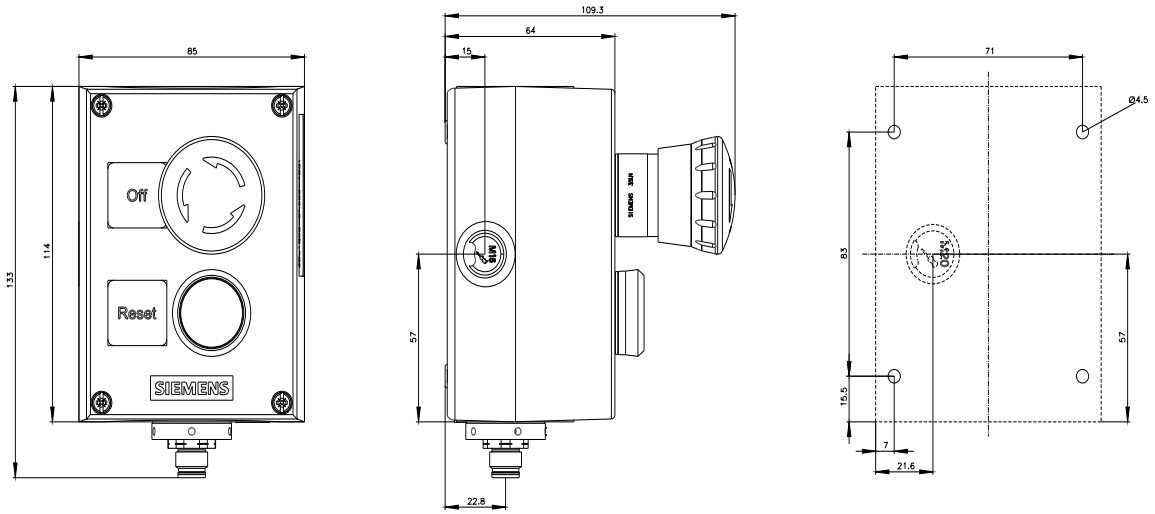
Cax online generator

<https://support.automation.siemens.com/WW/CAXorder/default.aspx?lang=en&mlfb=3SU1802-0NE00-4SB1>

Service&Support (Manuals, Certificates, Characteristics, FAQs,...)

<https://support.industry.siemens.com/cs/ww/en/ps/3SU1802-0NE00-4SB1>

Image database (product images, 2D dimension drawings, 3D models, device circuit diagrams, EPLAN macros, ...)



1	White	→	11
2	Brown	→	12
3	Green	→	21
4	Yellow	→	22
5	Grey	→	13
6	Pink	→	n.c.
7	Blue	→	n.c.
8	Red	→	14

