

Support terminal, green/yellow, spring-type terminal, for front plate mounting

Siemens  
EcoTech

|  |                                     |
|--|-------------------------------------|
| product brand name   | SIRIUS ACT                          |
| product designation  | Support terminal                    |
| product type designation   | 3SU1                                |
| <b>General technical data</b>                                      |                                     |
| suitability for integration  | yes                                 |
| degree of pollution  | 3                                   |
| surge voltage resistance rated value                               | 6 kV                                |
| protection class IP  |                                     |
| • of the enclosure   | IP40                                |
| • of the terminal  | IP20                                |
| reference code according to IEC 81346-2                            | S                                   |
| Substance Prohibance (Date)  | 10/01/2014                          |
| Weight   | 10 g                                |
| <b>Connections/ Terminals</b>                                      |                                     |
| type of electrical connection                                      | spring-loaded terminals             |
| • of modules and accessories                                       | Spring-type terminal                |
| type of connectable conductor cross-sections                       |                                     |
| • solid without core end processing                                | 2x (0.25 ... 1.5 mm <sup>2</sup> )  |
| • finely stranded with core end processing                         | 2x (0.25 ... 0.75 mm <sup>2</sup> ) |
| • finely stranded without core end processing                      | 2x (0.25 ... 1.5 mm <sup>2</sup> )  |
| • for AWG cables   | 2x (24 ... 16)                      |
| <b>Ambient conditions</b>  |                                     |
| ambient temperature  |                                     |
| • during operation   | -25 ... +70 °C                      |
| • during storage   | -40 ... +80 °C                      |
| <b>Environmental footprint</b>                                     |                                     |
| Environmental Product Declaration (EPD)                            | Yes                                 |
| global warming potential [CO <sub>2</sub> eq] total                | 0.787 kg                            |
| global warming potential [CO <sub>2</sub> eq] during manufacturing | 0.566 kg                            |
| global warming potential [CO <sub>2</sub> eq] during operation     | 0.235 kg                            |
| global warming potential [CO <sub>2</sub> eq] after end of life    | -0.015 kg                           |
| Siemens Eco Profile (SEP)  | Siemens EcoTech                     |
| <b>Installation/ mounting/ dimensions</b>                          |                                     |
| fastening method of modules and accessories                        | Front plate mounting                |
| height   | 36 mm                               |
| width  | 9.8 mm                              |

depth

23.4 mm

### Approvals Certificates

General Product Approval

Test Certificates

Maritime application



[Type Test Certificates/Test Report](#)



Maritime application

other

Environment



[Confirmation](#)



Siemens EcoTech



Environment

[Environmental Confirmations](#)

### Further information

Information on the packaging

<https://support.industry.siemens.com/cs/ww/en/view/109813875>

Information for data generation and storage

<https://support.industry.siemens.com/cs/ww/en/view/109995012>

Information- and Downloadcenter (Catalogs, Brochures,...)

<https://www.siemens.com/ic10>

Industry Mall (Online ordering system)

<https://mall.industry.siemens.com/mall/en/en/Catalog/product?mlfb=3SU1400-1DA43-3AA0>

Cax online generator

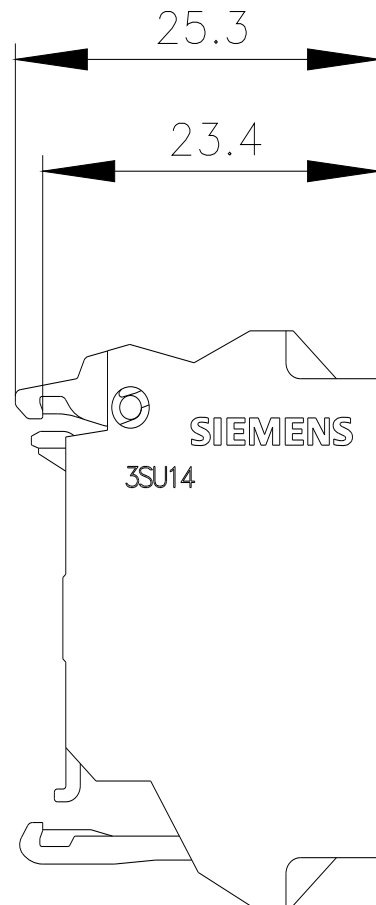
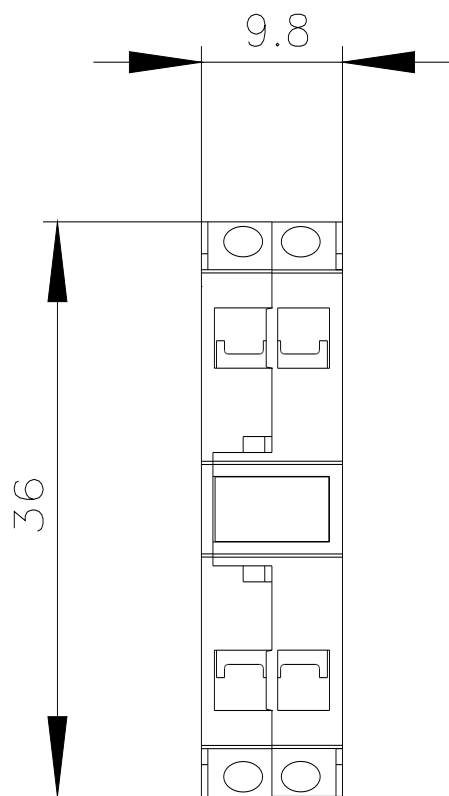
<https://support.automation.siemens.com/WW/CAXorder/default.aspx?lang=en&mlfb=3SU1400-1DA43-3AA0>

Service&Support (Manuals, Certificates, Characteristics, FAQs,...)

<https://support.industry.siemens.com/cs/ww/en/ps/3SU1400-1DA43-3AA0>

Image database (product images, 2D dimension drawings, 3D models, device circuit diagrams, EPLAN macros, ...)

[https://www.automation.siemens.com/bilddb/cax\\_de.aspx?mlfb=3SU1400-1DA43-3AA0&lang=en](https://www.automation.siemens.com/bilddb/cax_de.aspx?mlfb=3SU1400-1DA43-3AA0&lang=en)



last modified:

4/2/2025 