

Siemens
EcoTech



RONIS key-operated switch, 22 mm, round, plastic, lock number SB30, with 2 keys, 3 switch positions I-O-II, latching, actuating angle 2x45°, 10:30h/12h/13:30h, key removal O+I, possible special locks: SB31, 421, 455



| | |
|--|--|
| product brand name | SIRIUS ACT |
| product designation | Key-operated switches |
| design of the product | Actuating/signaling element |
| product type designation | 3SU1 |
| product line | Plastic, black, 22 mm |
| manufacturer's article number of included key | 3SU1950-0FB80-0AA0 |
| Actuator | |
| principle of operation of the actuating element | latching, 2x45° (10:30 h/12 h/13:30 h) |
| product extension optional light source | No |
| color | |
| • of the actuating element | silver |
| material of the actuating element | metal |
| shape of the actuating element | Key |
| outer diameter of the actuating element | 29.5 mm |
| number of switching positions | 3 |
| switch position for key distraction | O+I |
| actuating angle | |
| • clockwise | 45° |
| • anticlockwise | 45° |
| lock make | RONIS |
| key number | SB30 |
| Front ring | |
| product component front ring | Yes |
| design of the front ring | Standard |
| material of the front ring | plastic |
| color of the front ring | black |
| General technical data | |
| protection class IP | IP66, IP67, IP69(IP69K) |
| protection class IP of the terminal | IP20 |
| degree of protection NEMA rating | 1, 2, 3, 3R, 4, 4X, 12, 13 |
| shock resistance | |
| • according to IEC 60068-2-27 | sinusoidal half-wave 15g / 11 ms |
| • for railway applications according to EN 61373 | Category 1, Class B |
| vibration resistance | |
| • according to IEC 60068-2-6 | 10 ... 500 Hz: 5g |
| • for railway applications according to EN 61373 | Category 1, Class B |

| | |
|--|------------|
| operating frequency maximum | 1 800 1/h |
| mechanical service life (operating cycles) typical | 1 000 000 |
| reference code according to IEC 81346-2 | S |
| Substance Prohibittance (Date) | 10/01/2014 |
| Weight | 55 g |

Ambient conditions

| | |
|--|--|
| ambient temperature | |
| <ul style="list-style-type: none"> during operation during storage | <p>-25 ... +70 °C</p> <p>-40 ... +80 °C</p> |
| environmental category during operation according to IEC 60721 | 3M6, 3S2, 3B2, 3C3, 3K6 (with relative air humidity of 10 ... 95%) |

Environmental footprint

| | |
|--|-----------------|
| Environmental Product Declaration (EPD) | Yes |
| global warming potential [CO2 eq] total | 0.787 kg |
| global warming potential [CO2 eq] during manufacturing | 0.566 kg |
| global warming potential [CO2 eq] during operation | 0.235 kg |
| global warming potential [CO2 eq] after end of life | -0.015 kg |
| Siemens Eco Profile (SEP) | Siemens EcoTech |

Installation/ mounting/ dimensions



| | |
|---|---------|
| height | 29.5 mm |
| width | 29.5 mm |
| shape of the installation opening | round |
| mounting diameter | 22.3 mm |
| positive tolerance of installation diameter | 0.4 mm |
| mounting height | 49.4 mm |
| installation width | 29.5 mm |
| installation depth | 25.4 mm |

Approvals Certificates

| General Product Approval | Test Certificates |
|---|--|
|     | Type Test Certificates/Test Report Special Test Certificate |

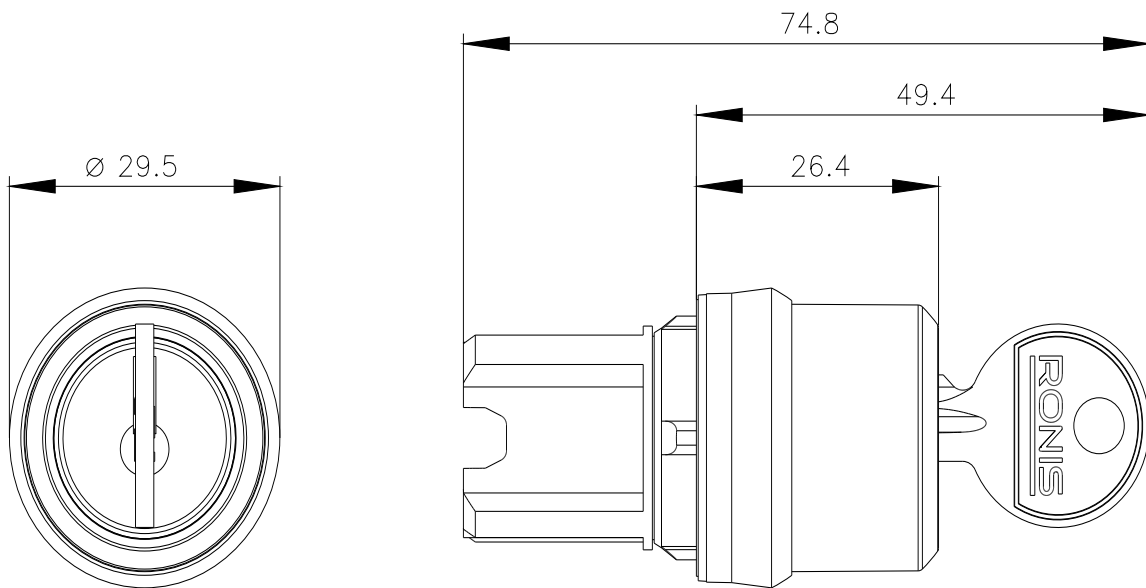
| Maritime application | other |
|---|--|
|     |  Confirmation |

Environment

| | |
|---|---|
|   | Environmental Confirmations |
|---|---|

Further information

| |
|--|
| Information on the packaging https://support.industry.siemens.com/cs/ww/en/view/109813875 |
| Information for data generation and storage https://support.industry.siemens.com/cs/ww/en/view/109995012 |
| Information- and Downloadcenter (Catalogs, Brochures,...) https://www.siemens.com/ic10 |
| Industry Mall (Online ordering system) https://mall.industry.siemens.com/mall/en/en/Catalog/product?mfb=3SU1000-4BL51-0AA0 |
| Cax online generator https://support.automation.siemens.com/WW/CAXorder/default.aspx?lang=en&mfb=3SU1000-4BL51-0AA0 |
| Service&Support (Manuals, Certificates, Characteristics, FAQs,...) https://support.industry.siemens.com/cs/ww/en/ps/3SU1000-4BL51-0AA0 |



last modified:

7/6/2025 