



contact-free safety switch RFID rectangular 106 mm x 25 mm family-encoded, with M12 plug 8-pole and magnet latching 18 N, delivery status: ready for operation, actuator with magnet latching 18 N, to be ordered separately: 3SE6310-1BC01

| | |
|---|-----------------------------------|
| product brand name | SIRIUS |
| product designation | RFID safety switch |
| design of the product | Rectangular sensor unit |
| product type designation | 3SE63 |
| suitability for use safety-related circuits | Yes |
| General technical data | |
| product function | |
| • positive opening | No |
| • cross-circuit/short-circuit recognition | Yes |
| product feature | Family coded, with magnetic catch |
| type of voltage of the operating voltage | DC |
| protection class IP | IP65, IP67, IP69k |
| shock resistance according to IEC 60068-2-27 | Sinusoidal half-wave 30g / 11 ms |
| vibration resistance according to IEC 60068-2-6 | 10 ... 55 Hz: 1 mm |
| Substance Prohibitance (Date) | 07/01/2006 |
| Weight | 0.115 kg |
| height of the sensor | 22 mm |
| length of the sensor | 106 mm |
| width of the sensor | 25 mm |
| material of the active sensor area | plastic |
| Ambient conditions | |
| ambient temperature during operation | -25 ... +70 °C |
| Control circuit/ Control | |
| type of voltage | DC |
| operating voltage rated value | 24 V |
| operational current rated value | 600 mA |
| Enclosure | |
| material of the enclosure | plastic |
| material of cable sheath | PVC |
| Actuator | |
| design of the actuating element | RFID |
| Display | |
| evaluation unit required | yes |
| Contact | |
| switching frequency | 1 Hz |
| operating distance | 12 mm |
| assured operating distance OFF | 16 mm |
| assured operating distance ON | 10 mm |
| design of the switching function | positive switching |
| number of switching contacts for signaling function | |

| | |
|--|------------------|
| • safety-related | 1 |
| Installation/ mounting/ dimensions | |
| fastening method | screw fixing |
| Connections/ Terminals | |
| type of electrical connection | M12 plug, 8-pole |
| wire length maximum | 30 m |
| Supply voltage | |
| supply voltage | 26.4 ... 20.4 V |
| Inputs/ Outputs | |
| output current minimum | 0.5 A |
| output current at safety-related output maximum | 0.25 A |
| design of the interface for safety-related communication | connector M12 |
| transmission frequency rated value | 125 kHz |
| Safety related data | |
| category according to EN 954-1 | 4 |
| ISO 13849 | |
| performance level (PL) according to EN ISO 13849-1 | e |
| IEC 61508 | |
| Safety Integrity Level (SIL) according to IEC 61508 | 3 |

| | | |
|-------------------------------|-----|-------------------|
| Approvals Certificates | | |
| General Product Approval | EMV | Functional Safety |



[Type Examination Certificate](#)

| | | |
|-------|-----------------|-------------|
| other | Dangerous goods | Environment |
|-------|-----------------|-------------|



[Confirmation](#)

[Dangerous goods information](#)

[Environmental Confirmations](#)

Further information

Information on the packaging

<https://support.industry.siemens.com/cs/ww/en/view/109813875>

Information for data generation and storage

<https://support.industry.siemens.com/cs/ww/en/view/109995012>

Information- and Downloadcenter (Catalogs, Brochures,...)

<https://www.siemens.com/ic10>

Industry Mall (Online ordering system)

<https://mall.industry.siemens.com/mall/en/en/Catalog/product?mlfb=3SE6315-1BB01-1AP0>

Cax online generator

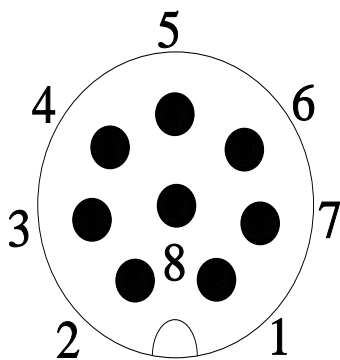
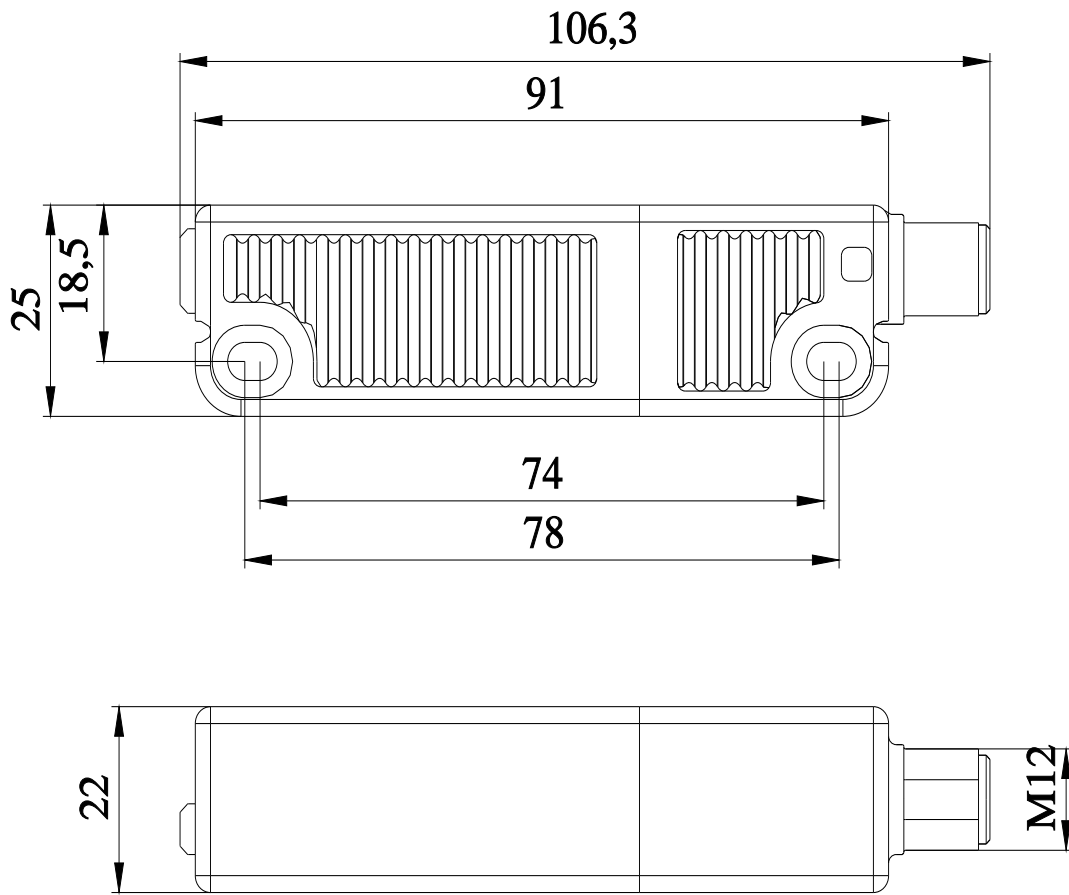
<https://support.automation.siemens.com/WW/CAXorder/default.aspx?lang=en&mlfb=3SE6315-1BB01-1AP0>

Service&Support (Manuals, Certificates, Characteristics, FAQs,...)

<https://support.industry.siemens.com/cs/ww/en/ps/3SE6315-1BB01-1AP0>

Image database (product images, 2D dimension drawings, 3D models, device circuit diagrams, EPLAN macros, ...)

https://www.automation.siemens.com/bilddb/cax_de.aspx?mlfb=3SE6315-1BB01-1AP0&lang=en



| | | | |
|---|-------------|---|-------|
| 1 | WH = White | → | A1 |
| 2 | BN = Brown | → | X1 |
| 3 | GN = Green | → | A2 |
| 4 | YE = Yellow | → | OSSD1 |
| 5 | GY = Grey | → | OUT |
| 6 | PK = Pink | → | X2 |
| 7 | BU = Blue | → | OSSD2 |
| 8 | RD = Red | → | n. c. |

