



Safety position switch with tumbler Locking force 2600 N 5 directions of approaches Spring-locked Auxiliary release on front Magnet voltage 24 V DC Monitoring actuator 2 NC/1 NO Monitoring magnet 2 NC/1 NO Supplied without actuator. Actuator 3SE5000-0AV0. please order separately

| | |
|---|---|
| product brand name | SIRIUS |
| product designation | Mechanical safety switches |
| design of the product | with separate actuator and with tumbler |
| product type designation | 3SE5 |
| manufacturer's article number of the optional actuators | 3SE5000-0AV01 standard actuator, 3SE5000-0AV02 actuator with vertical fixing, 3SE5000-0AV03 actuator with transverse fixing, 3SE5000-0AV04 radius actuator, approach from left, 3SE5000-0AV05 universal actuator, 3SE5000-0AV06 radius actuator, approach from right, 3SE5000-0AV07 Heavy Duty actuator, 3SE5000-0AW42 actuator with vertical fixing, stainless steel socket, 3SE5000-0AW43 actuator with transverse fixing, stainless steel socket, 3SE5000-0AW51 stainless steel actuator, 3SE5000-0AW52 stainless steel actuator with vertical fixing, 3SE5000-0AW53 stainless steel actuator with transverse fixing |
| suitability for use safety switch | Yes |
| General technical data | |
| product function positive opening | Yes |
| locking force | 2 600 N |
| • according to EN ISO 14119 | 2 000 N |
| insulation voltage rated value | 250 V |
| degree of pollution | class 3 |
| surge voltage resistance rated value | 4 kV |
| protection class IP | IP66/IP67 |
| shock resistance | 30g / 11 ms |
| • according to IEC 60068-2-27 | 30g / 11 ms |
| vibration resistance | 0.35 mm / 5g |
| • according to IEC 60068-2-6 | 0.35 mm/5g |
| mechanical service life (operating cycles) typical | 1 000 000 |
| thermal current | 10 A |
| material of the enclosure of the switch head | metal |
| reference code according to IEC 81346-2 | B |
| continuous current of the C characteristic MCB | 1 A; for a short-circuit current smaller than 400 A |
| continuous current of the quick DIAZED fuse link | 10 A; for a short-circuit current smaller than 400 A |
| continuous current of the DIAZED fuse link gG | 6 A; for a short-circuit current smaller than 400 A |
| repeat accuracy | 0.05 mm |
| Substance Prohibition (Date) | 10/01/2011 |
| SVHC substance name | Lead - 7439-92-1 Imidazolidine-2-thione (2-imidazoline-2-thiol) - 96-45-7 |
| Weight | 0.95 kg |
| minimum actuating force in directions of actuation | 30 N |
| length of the sensor | 185 mm |
| width of the sensor | 54 mm |
| Ambient conditions | |
| ambient temperature | |

| | |
|---|----------------------------------|
| <ul style="list-style-type: none"> during operation during storage | -25 ... +60 °C -40 ... +80 °C |
| explosion protection category for dust | none |
| consumed active power of magnet coil | 3.5 W |
| operational current at AC-15 | |
| <ul style="list-style-type: none"> at 24 V rated value at 120 V rated value at 240 V rated value | 6 A 6 A 3 A |
| operational current at DC-13 | |
| <ul style="list-style-type: none"> at 24 V rated value at 125 V rated value at 250 V rated value | 3 A 0.55 A 0.27 A |

| Enclosure | |
|--|--|
| design of the housing | special design |
| material of the enclosure | metal |
| coating of the enclosure | cathodic dip coating |
| design of the housing according to standard | No |
| locking mechanism design | spring-actuated lock (closed-circuit principle) with auxiliary release |

| Drive Head | |
|---|--------------------------|
| design of the actuating element | 5 directions of approach |
| design of the switching function | positive opening |
| number of directions of actuation | 5 |
| circuit principle | slow-action contacts |
| number of switching contacts safety-related | 4 |
| cable entry type | 3x (M20 x 1.5) |

| Installation/ mounting/ dimensions | |
|------------------------------------|--------------|
| mounting position | any |
| fastening method | screw fixing |

| Connections/ Terminals | |
|--|--|
| type of electrical connection | screw terminal |
| type of connectable conductor cross-sections | |
| <ul style="list-style-type: none"> solid finely stranded with core end processing for AWG cables solid for AWG cables stranded | 1x (0.5 ... 1.5 mm ²), 2x (0.5 ... 0.75 mm ²) 1x (0.5 ... 1.5 mm ²), 2x (0.5 ... 0.75 mm ²) 1x (20 ... 16), 2x (20 ... 18) 1x (20 ... 16), 2x (20 ... 18) |

| Supply voltage | |
|--|---------|
| supply voltage of magnet coil | 24 V |
| design of the interface for safety-related communication | without |

| Communication/ Protocol | |
|--------------------------------|---------|
| design of the interface | without |

| Safety related data | |
|--|-----------|
| proportion of dangerous failures with high demand rate according to SN 31920 | 20 % |
| B10 value with high demand rate according to SN 31920 | 1 000 000 |

| Approvals Certificates | |
|---------------------------------|--------------------------|
| General Product Approval | Test Certificates |



[Type Test Certificates/Test Report](#)

| other | Dangerous goods | Environment |
|-------|-----------------|-------------|
|-------|-----------------|-------------|



[Confirmation](#)

[Transport Information](#)

[Environmental Confirmations](#)

| Further information |
|---------------------|
|---------------------|

Information on the packaging

<https://support.industry.siemens.com/cs/ww/en/view/109813875>

Information for data generation and storage

<https://support.industry.siemens.com/cs/ww/en/view/109995012>

Information- and Downloadcenter (Catalogs, Brochures,...)

<https://www.siemens.com/ic10>

Industry Mall (Online ordering system)

<https://mall.industry.siemens.com/mall/en/en/Catalog/product?mlfb=3SE5312-0SD11>

Cax online generator

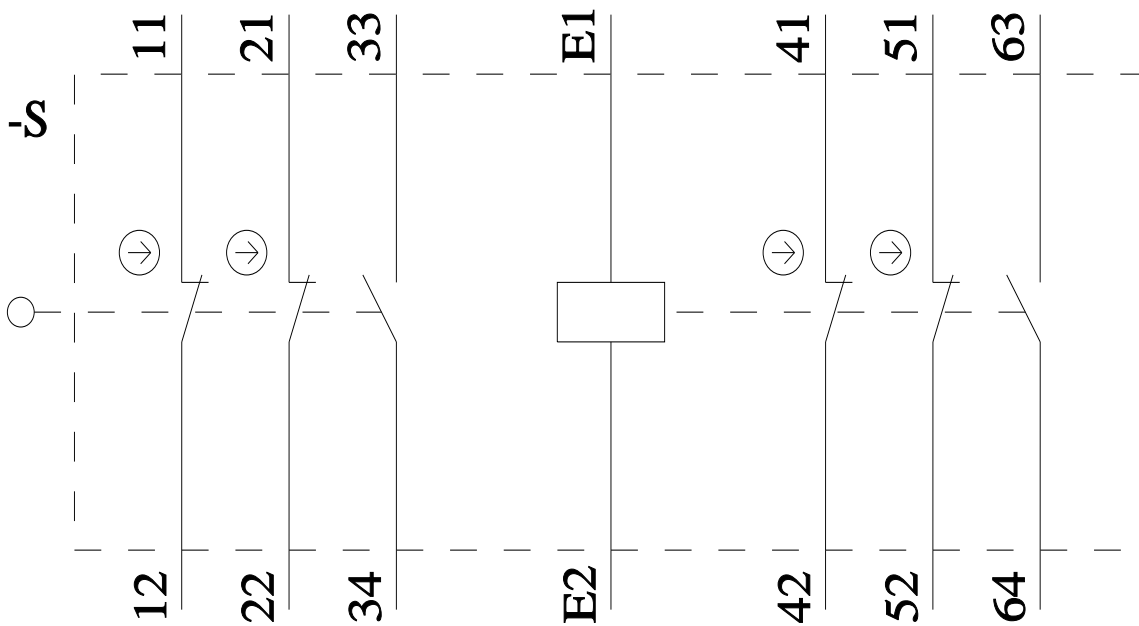
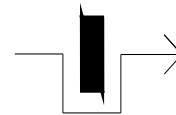
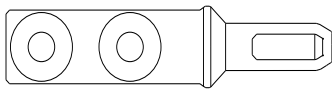
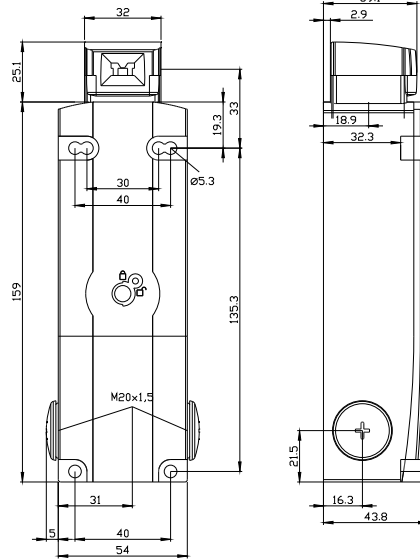
<https://support.automation.siemens.com/WW/CAXorder/default.aspx?lang=en&mlfb=3SE5312-0SD11>

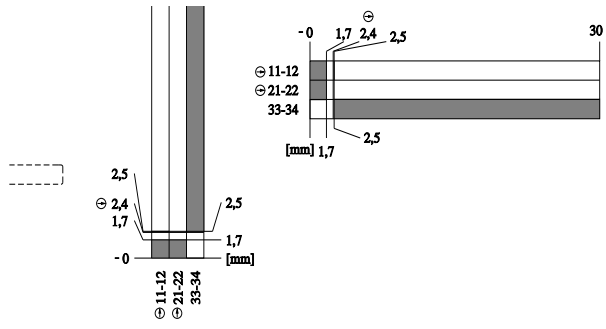
Service&Support (Manuals, Certificates, Characteristics, FAQs,...)

<https://support.industry.siemens.com/cs/ww/en/ps/3SE5312-0SD11>

Image database (product images, 2D dimension drawings, 3D models, device circuit diagrams, EPLAN macros, ...)

https://www.automation.siemens.com/bilddb/cax_de.aspx?mlfb=3SE5312-0SD11&lang=en





last modified:

4/2/2025 