



Safety position switch with separate actuator Plastic enclosure, 50 mm Device connection 2x (M20x 1.5) Slow-action contacts 1 NO+2 NC with 2 LEDs yellow/green 115-230 V AC 5 directions of approaches The matching separate actuator 3SE5000-0AV0. must be ordered separately

product brand name	SIRIUS
product designation	Mechanical safety switches
product type designation	3SE5
manufacturer's article number	3SE5000-0AV01 standard actuator, 3SE5000-0AV02 actuator with vertical fixing, 3SE5000-0AV03 actuator with transverse fixing, 3SE5000-0AV04 radius actuator, approach from left, 3SE5000-0AV05 universal actuator, 3SE5000-0AV06 radius actuator, approach from right, 3SE5000-0AV07 Heavy Duty actuator, 3SE5000-0AW42 actuator with vertical fixing, stainless steel socket, 3SE5000-0AW43 actuator with transverse fixing, stainless steel socket, 3SE5000-0AW51 stainless steel actuator, 3SE5000-0AW52 stainless steel actuator with vertical fixing, 3SE5000-0AW53 stainless steel actuator with transverse fixing, 3SE5000-0AW11 plastic actuator
<ul style="list-style-type: none"> <li>of the optional actuators</li> </ul>	
suitability for use safety switch	Yes
<b>General technical data</b>	
product function positive opening	Yes
insulation voltage rated value	400 V
degree of pollution	class 3
surge voltage resistance rated value	4 kV
protection class IP	IP66/IP67
shock resistance	30g / 11 ms
<ul style="list-style-type: none"> <li>according to IEC 60068-2-27</li> </ul>	
vibration resistance	0.35 mm/5g
<ul style="list-style-type: none"> <li>according to IEC 60068-2-6</li> </ul>	
mechanical service life (operating cycles) typical	1 000 000
electrical endurance (operating cycles) at AC-15 at 230 V typical	100 000
thermal current	10 A
material of the enclosure of the switch head	plastic
reference code according to IEC 81346-2	B
continuous current of the C characteristic MCB	1 A; for a short-circuit current smaller than 400 A
continuous current of the quick DIAZED fuse link	10 A; for a short-circuit current smaller than 400 A
continuous current of the DIAZED fuse link gG	6 A; for a short-circuit current smaller than 400 A
active principle	mechanical
repeat accuracy	0.05 mm
Substance Prohibitance (Date)	07/01/2006
SVHC substance name	Imidazolidine-2-thione (2-imidazoline-2-thiol) - 96-45-7
Weight	0.127 kg
minimum actuating force in directions of actuation	20 N
length of the sensor	89 mm
width of the sensor	50 mm
<b>Ambient conditions</b>	
ambient temperature	

<ul style="list-style-type: none"> <li>during operation</li> </ul>	-25 ... +60 °C
<ul style="list-style-type: none"> <li>during storage</li> </ul>	-40 ... +90 °C
<b>explosion protection category for dust</b>	none

Main circuit	
<b>design of the switching contact</b>	mechanical
<b>operating frequency rated value</b>	50 ... 60 Hz
<b>number of NC contacts for auxiliary contacts</b>	2
<b>number of NO contacts for auxiliary contacts</b>	1
<b>operational current at AC-15</b>	
<ul style="list-style-type: none"> <li>at 230 V rated value</li> </ul>	4 A

Enclosure	
<b>design of the housing</b>	block, wide
<b>material of the enclosure</b>	plastic
<b>coating of the enclosure</b>	Other types
<b>design of the housing according to standard</b>	No

Drive Head	
<b>design of the actuating element</b>	without
<b>standard-compliant actuator head</b>	EN 50047
<b>design of the switching function</b>	positive opening
<b>circuit principle</b>	slow-action contacts
<b>number of switching contacts safety-related</b>	2
<b>cable entry type</b>	2x (M20 x 1.5)

Installation/ mounting/ dimensions	
<b>mounting position</b>	any
<b>fastening method</b>	screw fixing

Connections/ Terminals	
<b>type of electrical connection</b>	screw terminal
<b>type of connectable conductor cross-sections</b>	
<ul style="list-style-type: none"> <li>solid</li> </ul>	1x (0.5 ... 1.5 mm <sup>2</sup> ), 2x (0.5 ... 0.75 mm <sup>2</sup> )
<ul style="list-style-type: none"> <li>finely stranded with core end processing</li> </ul>	1x (0.5 ... 1.5 mm <sup>2</sup> ), 2x (0.5 ... 0.75 mm <sup>2</sup> )
<ul style="list-style-type: none"> <li>for AWG cables solid</li> </ul>	1x (20 ... 16), 2x (20 ... 18)
<ul style="list-style-type: none"> <li>for AWG cables stranded</li> </ul>	1x (20 ... 16), 2x (20 ... 18)

Supply voltage	
<b>type of voltage of the supply voltage of the optional LED display</b>	AC
<b>supply voltage of LED</b>	
<ul style="list-style-type: none"> <li></li> </ul>	230 V
<b>design of the interface for safety-related communication</b>	without

Communication/ Protocol	
<b>design of the interface</b>	without

Safety related data	
<b>proportion of dangerous failures with high demand rate according to SN 31920</b>	20 %
<b>B10 value with high demand rate according to SN 31920</b>	1 000 000

Approvals Certificates	
General Product Approval	Functional Safety



[Type Examination Certificate](#)

Test Certificates	other	Environment
-------------------	-------	-------------

[Type Test Certificates/Test Report](#)

[Confirmation](#)



[Environmental Confirmations](#)

Further information
<b>Information on the packaging</b>

<https://support.industry.siemens.com/cs/ww/en/view/109813875>

Information for data generation and storage

<https://support.industry.siemens.com/cs/ww/en/view/109995012>

Information- and Downloadcenter (Catalogs, Brochures,...)

<https://www.siemens.com/ic10>

Industry Mall (Online ordering system)

<https://mall.industry.siemens.com/mall/en/en/Catalog/product?mlfb=3SE5242-3QV40>

Cax online generator

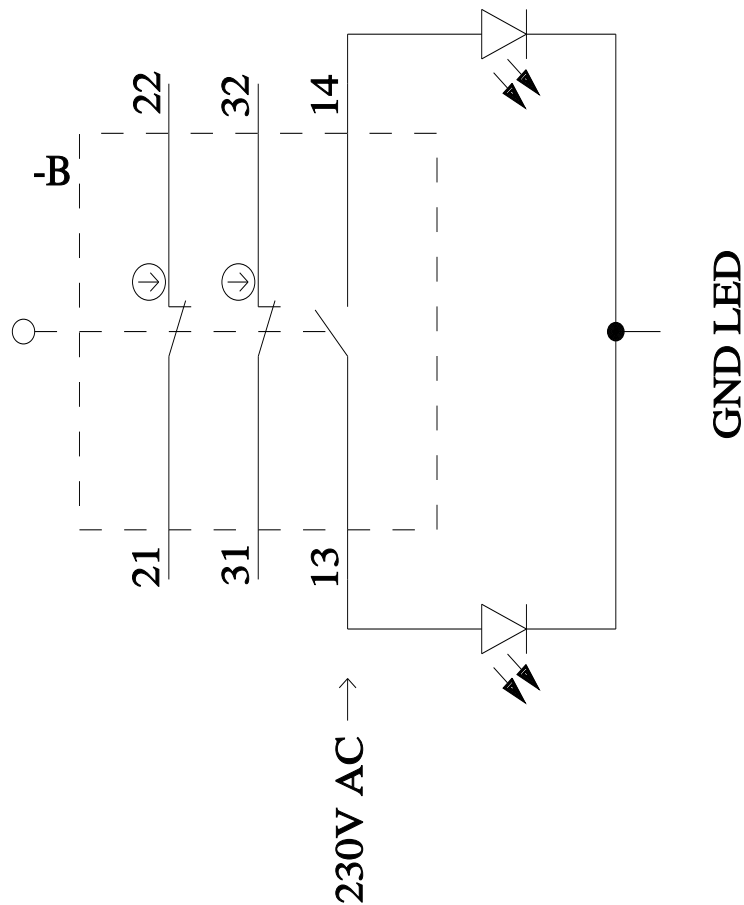
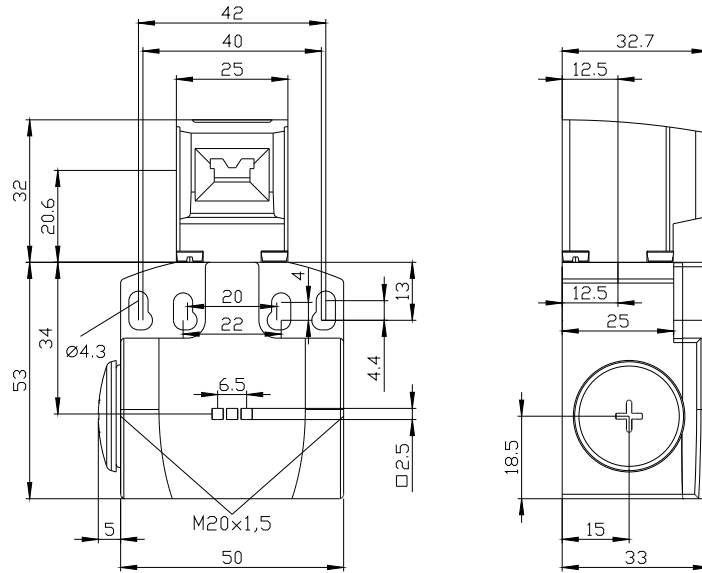
<https://support.automation.siemens.com/WW/CAXorder/default.aspx?lang=en&mlfb=3SE5242-3QV40>

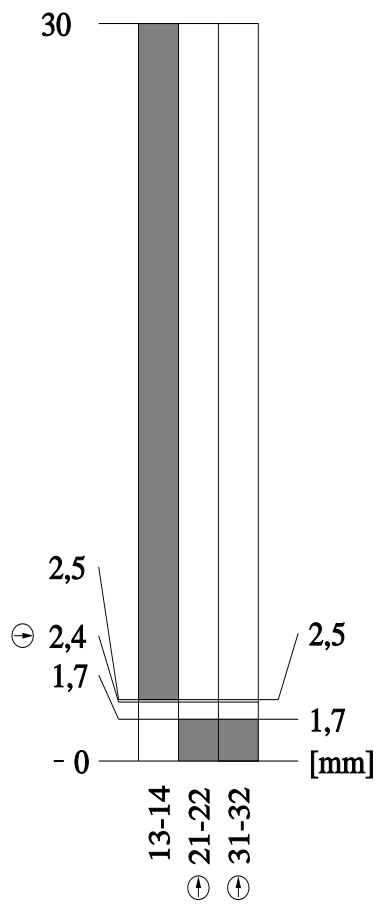
Service&Support (Manuals, Certificates, Characteristics, FAQs,...)

<https://support.industry.siemens.com/cs/ww/en/ps/3SE5242-3QV40>

Image database (product images, 2D dimension drawings, 3D models, device circuit diagrams, EPLAN macros, ...)

[https://www.automation.siemens.com/bilddb/cax\\_de.aspx?mlfb=3SE5242-3QV40&lang=en](https://www.automation.siemens.com/bilddb/cax_de.aspx?mlfb=3SE5242-3QV40&lang=en)





last modified:

4/2/2025 