



LED cover for position switch for plastic enclosure 50 mm LEDs, yellow/green, 110-230 V AC Color yellow

product brand name	SIRIUS
product designation	cover with LEDs 230 V AC, for 50 mm wide enclosures, plastic, turquoise
product type designation	3SE5
<b>General technical data</b>	
protection class IP	IP66/IP67
shock resistance	
• according to IEC 60068-2-27	30g / 11 ms
vibration resistance	
• according to IEC 60068-2-6	0.35 mm/5g
Substance Prohibitance (Date)	07/01/2006
Weight	0.015 kg
length of the sensor	53 mm
width of the sensor	50 mm
<b>Ambient conditions</b>	
ambient temperature	
• during operation	-25 ... +60 °C
• during storage	-40 ... +90 °C
explosion protection category for dust	none
<b>Enclosure</b>	
design of the housing	block, wide
coating of the enclosure	Other types
<b>Drive Head</b>	
design of the actuating element	without
<b>Installation/ mounting/ dimensions</b>	
mounting position	any
fastening method	screw fixing
<b>Supply voltage</b>	
type of voltage of the supply voltage of the optional LED display	AC
supply voltage of LED	
•	230 V
design of the interface for safety-related communication	without
<b>Communication/ Protocol</b>	
design of the interface	without
<b>Approvals Certificates</b>	
General Product Approval	Functional Safety



[Type Examination Certificate](#)

Test Certificates	other	Environment
-------------------	-------	-------------

[Type Test Certificates/Test Report](#)



[Confirmation](#)

[Environmental Confirmations](#)

**Further information**

Information on the packaging

<https://support.industry.siemens.com/cs/ww/en/view/109813875>

Information for data generation and storage

<https://support.industry.siemens.com/cs/ww/en/view/109995012>

Information- and Downloadcenter (Catalogs, Brochures,...)

<https://www.siemens.com/ic10>

Industry Mall (Online ordering system)

<https://mall.industry.siemens.com/mall/en/en/Catalog/product?mlfb=3SE5240-3AA00>

Cax online generator

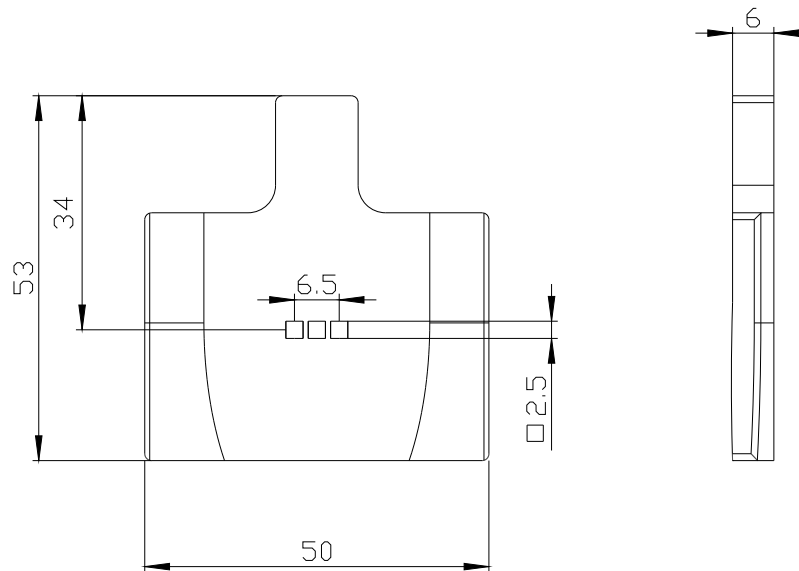
<https://support.automation.siemens.com/WW/CAXorder/default.aspx?lang=en&mlfb=3SE5240-3AA00>

Service&Support (Manuals, Certificates, Characteristics, FAQs,...)

<https://support.industry.siemens.com/cs/ww/en/ps/3SE5240-3AA00>

Image database (product images, 2D dimension drawings, 3D models, device circuit diagrams, EPLAN macros, ...)

[https://www.automation.siemens.com/bilddb/cax\\_de.aspx?mlfb=3SE5240-3AA00&lang=en](https://www.automation.siemens.com/bilddb/cax_de.aspx?mlfb=3SE5240-3AA00&lang=en)



last modified:

10/18/2025