



Position switch Plastic 31 mm according to EN 50047 Increased corrosion protection Device connection 1 x (M20 x 1.5) 1 NO/1 NC quick action contacts Twist lever, adjustable length with grid hole on the right and/or left adjustable, with Stainless steel lever and plastic roller 19 mm functional at -40 °C Shock and vibration test according to EN 61373, Category 1B

|  |   |
|--|---|
| <b>product brand name</b>  | SIRIUS  |
| <b>product designation</b>   | Mechanical position switches  |
| <b>product type designation</b>  | 3SE5  |
| <b>manufacturer's article number</b>   |   |
| <ul style="list-style-type: none"> <li>• of the supplied actuator head for position switches</li> <li>• of the supplied operating lever</li> <li>• of the supplied switching contacts</li> </ul> | <a href="#">3SE5000-0AK00-1AJ0</a><br><a href="#">3SE5000-0AA62-1AJ0</a><br><a href="#">3SE5000-0CA00</a> |
| suitability for use safety switch  | Yes   |
| <b>General technical data</b>  |   |
| product function positive opening  | Yes   |
| <b>insulation voltage rated value</b>  | 400 V   |
| <b>degree of pollution</b>   | class 3   |
| <b>surge voltage resistance rated value</b>  | 6 kV  |
| <b>protection class IP</b>   | IP65  |
| <b>shock resistance</b>  |   |
| <ul style="list-style-type: none"> <li>• according to IEC 60068-2-27</li> <li>• for railway applications according to EN 61373</li> </ul>  | 30g / 11 ms<br>Category 1, Class B  |
| <b>vibration resistance</b>  |   |
| <ul style="list-style-type: none"> <li>• according to IEC 60068-2-6</li> <li>• for railway applications according to EN 61373</li> </ul>   | 0.35 mm/5g<br>Category 1, Class B   |
| <b>mechanical service life (operating cycles) typical</b>  | 15 000 000  |
| <b>electrical endurance (operating cycles) at AC-15 at 230 V typical</b>   | 100 000   |
| <b>thermal current</b>   | 10 A  |
| <b>material of the enclosure of the switch head</b>  | plastic   |
| <b>reference code according to IEC 81346-2</b>   | B   |
| <b>continuous current of the C characteristic MCB</b>  | 1 A; for a short-circuit current smaller than 400 A   |
| <b>continuous current of the quick DIAZED fuse link</b>  | 10 A; for a short-circuit current smaller than 400 A  |
| <b>continuous current of the DIAZED fuse link gG</b>   | 6 A   |
| <b>active principle</b>  | mechanical  |
| <b>repeat accuracy</b>   | 0.05 mm   |
| <b>Substance Prohibitance (Date)</b>   | 07/01/2006  |
| <b>Weight</b>  | 0.126 kg  |
| <b>minimum actuating torque in directions of actuation</b>   | 0.25 N·m  |
| <b>length of the sensor</b>  | 182 mm  |
| <b>width of the sensor</b>   | 31 mm   |
| <b>Ambient conditions</b>  |   |
| <b>ambient temperature</b>   |   |
| <ul style="list-style-type: none"> <li>• during operation</li> <li>• during storage</li> </ul>   | -40 ... +85 °C<br>-40 ... +90 °C  |

|  |  |
|--|--|
| explosion protection category for dust                   | none   |
| <b>Main circuit</b>                                      |  |
| design of the switching contact                          | mechanical   |
| operating frequency rated value                          | 50 ... 60 Hz   |
| number of NC contacts for auxiliary contacts             | 1  |
| number of NO contacts for auxiliary contacts             | 1  |
| operational current at AC-15                             |  |
| • at 24 V rated value                                    | 6 A  |
| • at 120 V rated value                                   | 6 A  |
| • at 240 V rated value                                   | 6 A  |
| • at 400 V rated value                                   | 4 A  |
| operational current at DC-13                             |  |
| • at 24 V rated value                                    | 3 A  |
| • at 125 V rated value                                   | 0.55 A   |
| • at 250 V rated value                                   | 0.27 A   |
| • at 400 V rated value                                   | 0.12 A   |
| <b>Enclosure</b>   |  |
| design of the housing                                    | block, narrow  |
| material of the enclosure                                | plastic  |
| coating of the enclosure                                 | Other types  |
| design of the housing according to standard              | Yes  |
| <b>Drive Head</b>  |  |
| design of the actuating element                          | Adjustable twist lever, adjustable-length metal lever with positive fit, 100 mm long, plastic roller 19 mm |
| standard-compliant actuator head                         | EN 50047, design A   |
| shape of the switch head                                 | roller   |
| design of the switching function                         | positive opening   |
| circuit principle  | snap-action contacts   |
| number of switching contacts safety-related              | 1  |
| cable entry type   | 1x (M20 x 1.5)   |
| <b>Installation/ mounting/ dimensions</b>                |  |
| mounting position  | any  |
| fastening method   | screw fixing   |
| <b>Connections/ Terminals</b>                            |  |
| type of electrical connection                            | screw terminal   |
| type of connectable conductor cross-sections             |  |
| • solid  | 1x (0.5 ... 1.5 mm <sup>2</sup> ), 2x (0.5 ... 0.75 mm <sup>2</sup> )                                      |
| • finely stranded with core end processing               | 1x (0.5 ... 1.5 mm <sup>2</sup> ), 2x (0.5 ... 0.75 mm <sup>2</sup> )                                      |
| • for AWG cables solid                                   | 1x (20 ... 16), 2x (20 ... 18)   |
| • for AWG cables stranded                                | 1x (20 ... 16), 2x (20 ... 18)   |
| design of the interface for safety-related communication | without  |
| <b>Communication/ Protocol</b>                           |  |
| design of the interface                                  | without  |
| <b>Approvals Certificates</b>                            |  |
| General Product Approval                                 | Functional Safety  |



[Type Examination Certificate](#)

Test Certificates

other

Environment

[Type Test Certificates/Test Report](#)



[Confirmation](#)

[Environmental Confirmations](#)

**Further information**

Information on the packaging

<https://support.industry.siemens.com/cs/ww/en/view/109813875>

Information for data generation and storage

<https://support.industry.siemens.com/cs/ww/en/view/109995012>

Information- and Downloadcenter (Catalogs, Brochures,...)

<https://www.siemens.com/ic10>

Industry Mall (Online ordering system)

<https://mall.industry.siemens.com/mall/en/en/Catalog/product?mlfb=3SE5232-0CK62-1AJ0>

Cax online generator

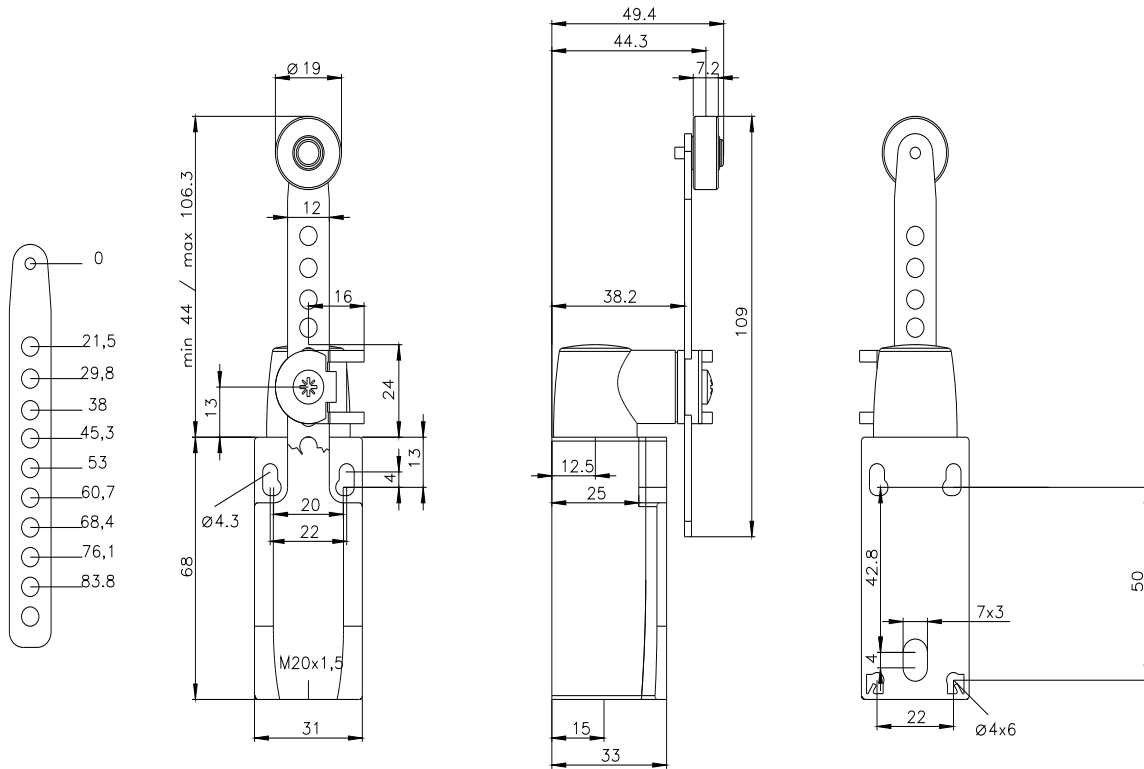
<https://support.automation.siemens.com/WW/CAXorder/default.aspx?lang=en&mlfb=3SE5232-0CK62-1AJ0>

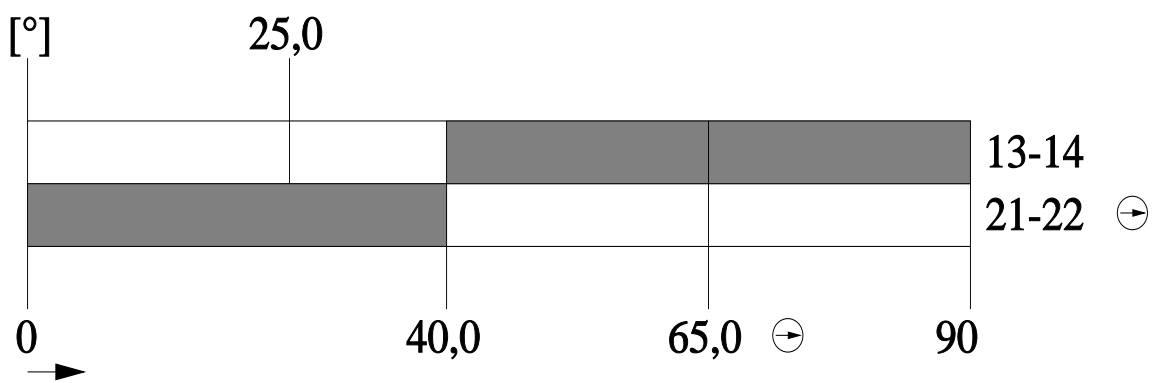
Service&Support (Manuals, Certificates, Characteristics, FAQs,...)

<https://support.industry.siemens.com/cs/ww/en/ps/3SE5232-0CK62-1AJ0>

Image database (product images, 2D dimension drawings, 3D models, device circuit diagrams, EPLAN macros, ...)

[https://www.automation.siemens.com/bilddb/cax\\_de.aspx?mlfb=3SE5232-0CK62-1AJ0&lang=en](https://www.automation.siemens.com/bilddb/cax_de.aspx?mlfb=3SE5232-0CK62-1AJ0&lang=en)





last modified:

4/2/2025