

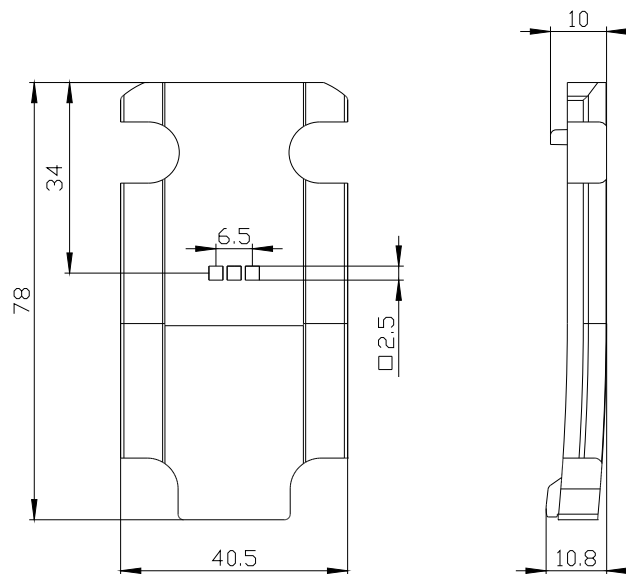


LED cover yellow for position switch 3SE5132 Plastic enclosure according to EN 50041, with 2 LEDs, yellow/green, 230 V AC

| | |
|---|--|
| product brand name | SIRIUS |
| product designation | Cover (plastic) for housing EN50041+LED 230 V AC, yellow |
| product type designation | 3SE5 |
| General technical data | |
| degree of pollution | class 3 |
| protection class IP | IP66/IP67 |
| shock resistance | |
| • according to IEC 60068-2-27 | 30g / 11 ms |
| vibration resistance according to IEC 60068-2-6 | 0.35 mm/5g |
| Substance Prohibitance (Date) | 07/01/2006 |
| Weight | 0.06 kg |
| length of the sensor | 78 mm |
| width of the sensor | 40 mm |
| Ambient conditions | |
| ambient temperature | |
| • during operation | -25 ... +60 °C |
| • during storage | -40 ... +90 °C |
| explosion protection category for dust | none |
| Enclosure | |
| design of the housing | block, narrow |
| coating of the enclosure | Other types |
| Drive Head | |
| design of the actuating element | Other, without, cover |
| Installation/ mounting/ dimensions | |
| mounting position | any |
| fastening method | screw fixing |
| Supply voltage | |
| type of voltage of the supply voltage of the optional LED display | AC |
| supply voltage of LED | |
| • | 230 V |
| design of the interface for safety-related communication | without |
| Communication/ Protocol | |
| design of the interface | without |
| Approvals Certificates | |
| General Product Approval | Functional Safety |



[Type Examination Certificate](#)

[Confirmation](#)[Environmental Confirmations](#)**Further information****Information on the packaging**<https://support.industry.siemens.com/cs/ww/en/view/109813875>**Information for data generation and storage**<https://support.industry.siemens.com/cs/ww/en/view/109995012>**Information- and Downloadcenter (Catalogs, Brochures,...)**<https://www.siemens.com/ic10>**Industry Mall (Online ordering system)**<https://mall.industry.siemens.com/mall/en/en/Catalog/product?mlfb=3SE5130-3AA00-1AG0>**Cax online generator**<https://support.automation.siemens.com/WW/CAXorder/default.aspx?lang=en&mlfb=3SE5130-3AA00-1AG0>**Service&Support (Manuals, Certificates, Characteristics, FAQs,...)**<https://support.industry.siemens.com/cs/ww/en/ps/3SE5130-3AA00-1AG0>**Image database (product images, 2D dimension drawings, 3D models, device circuit diagrams, EPLAN macros, ...)**https://www.automation.siemens.com/bilddb/cax_de.aspx?mlfb=3SE5130-3AA00-1AG0&lang=en

last modified:

10/18/2025