



Safety position switch with separate actuator Metal enclosure, 40 mm according to EN 50041 with M12 connector, 5-pole, fixed with 2 LEDs, yellow/green 24 V DC 5 directions of approaches Pin assignment: Pin1=21, Pin2=22 Pin3=14 and LED green, Pin4=13 and LED yellow, Pin 5=ground LED The matching separate actuator 3SE5000-0AV0. must be ordered separately

product brand name	SIRIUS
product designation	Mechanical safety switches
product type designation	3SE5
manufacturer's article number	3SE5000-0AV01 standard actuator, 3SE5000-0AV02 actuator with vertical mounting, 3SE5000-0AV03 actuator with horizontal mounting, 3SE5000-0AV04 radius actuator left, 3SE5000-0AV05 universal actuator, 3SE5000-0AV06 radius actuator right, 3SE5000-0AV07 heavy-duty actuator, 3SE5000-0AW11 plastic actuator, 3SE5000-0AW21 stainless steel actuator
<ul style="list-style-type: none"> <li>of the optional actuators</li> </ul>	
suitability for use safety switch	Yes
<b>General technical data</b>	
product function positive opening	Yes
insulation voltage rated value	125 V
degree of pollution	class 3
surge voltage resistance rated value	0.8 kV
protection class IP	IP66/IP67
shock resistance	30g / 11 ms
<ul style="list-style-type: none"> <li>according to IEC 60068-2-27</li> </ul>	
vibration resistance according to IEC 60068-2-6	0.35 mm/5g
mechanical service life (operating cycles) typical	1 000 000
thermal current	4 A
material of the enclosure of the switch head	metal
reference code according to IEC 81346-2	B
continuous current of the C characteristic MCB	1 A; for a short-circuit current smaller than 400 A
continuous current of the quick DIAZED fuse link	4 A; for a short-circuit current smaller than 400 A
continuous current of the DIAZED fuse link gG	4 A; for a short-circuit current smaller than 400 A
active principle	mechanical
repeat accuracy	0.05 mm
operating resource protection class	III (according to EN 60536)
Substance Prohibitance (Date)	07/01/2006
SVHC substance name	Lead - 7439-92-1 Imidazolidine-2-thione (2-imidazoline-2-thiol) - 96-45-7
Weight	0.48 kg
minimum actuating force in directions of actuation	20 N
length of the sensor	124 mm
width of the sensor	40 mm
<b>Ambient conditions</b>	
ambient temperature	-25 ... +60 °C
<ul style="list-style-type: none"> <li>during operation</li> </ul>	
<ul style="list-style-type: none"> <li>during storage</li> </ul>	-40 ... +90 °C
explosion protection category for dust	none
<b>Main circuit</b>	

design of the switching contact	mechanical
number of NC contacts for auxiliary contacts	1
number of NO contacts for auxiliary contacts	1
operational current at DC-13	
• at 24 V rated value	3 A

<b>Enclosure</b>	
design of the housing	block, narrow
material of the enclosure	metal
coating of the enclosure	cathodic dip coating
design of the housing according to standard	Yes

<b>Drive Head</b>	
design of the actuating element	without
design of the switching function	positive opening
circuit principle	slow-action contacts
number of switching contacts safety-related	1
cable entry type	M12 plug
design of plug-in connection	M12 plug, 5-pole: Pin 1 = terminal 21, Pin 2 = 22, Pin 3 = 13, Pin 4 = 14, Pin 5 = PU

<b>Installation/ mounting/ dimensions</b>	
mounting position	any
fastening method	screw fixing

<b>Connections/ Terminals</b>	
type of electrical connection	M12 plug, fixed

<b>Supply voltage</b>	
type of voltage of the supply voltage of the optional LED display	DC
supply voltage of LED	
•	24 V
design of the interface for safety-related communication	without

<b>Communication/ Protocol</b>	
design of the interface	without

<b>Safety related data</b>	
proportion of dangerous failures with high demand rate according to SN 31920	20 %
B10 value with high demand rate according to SN 31920	1 000 000

**Approvals Certificates**

General Product Approval	Functional Safety
--------------------------	-------------------



[Type Examination Certificate](#)

other	Environment
-------	-------------



[Confirmation](#)

[Environmental Confirmations](#)

**Further information**

Information on the packaging

<https://support.industry.siemens.com/cs/ww/en/view/109813875>

Information for data generation and storage

<https://support.industry.siemens.com/cs/ww/en/view/109995012>

Information- and Downloadcenter (Catalogs, Brochures,...)

<https://www.siemens.com/ic10>

Industry Mall (Online ordering system)

<https://mall.industry.siemens.com/mall/en/en/Catalog/product?mlfb=3SE5114-1RV10-1AF3>

Cax online generator

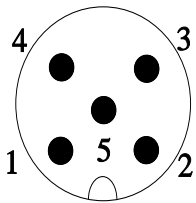
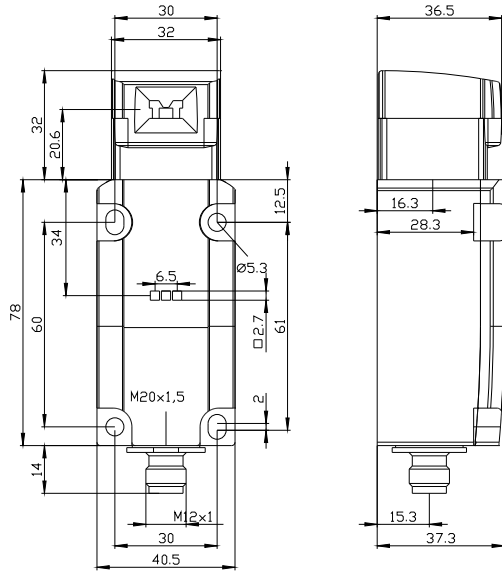
<https://support.automation.siemens.com/WW/CAXorder/default.aspx?lang=en&mlfb=3SE5114-1RV10-1AF3>

Service&Support (Manuals, Certificates, Characteristics, FAQs,...)

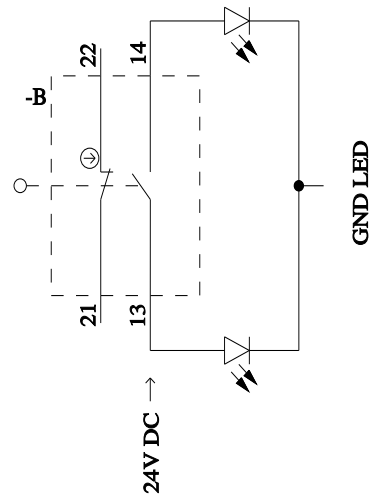
<https://support.industry.siemens.com/cs/ww/en/ps/3SE5114-1RV10-1AF3>

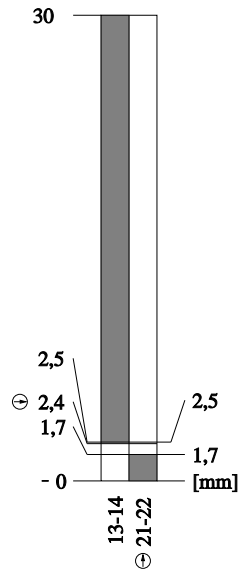
Image database (product images, 2D dimension drawings, 3D models, device circuit diagrams, EPLAN macros, ...)

[https://www.automation.siemens.com/bilddb/cax\\_de.aspx?mlfb=3SE5114-1RV10-1AF3&lang=en](https://www.automation.siemens.com/bilddb/cax_de.aspx?mlfb=3SE5114-1RV10-1AF3&lang=en)



1	BN = Brown	→	21
2	WH = White	→	22
3	BU = Blue	→	14+LED-Green
4	BK = Black	→	13+LED-Yellow
5	GY = Grey	→	GND LED





last modified:

4/2/2025 