




Basic switch for position switch 3SE51 Metal enclosure 40 mm according to EN 50041 1 NO/1 NC quick action contacts with M12 connector, 5-pole, fixed with 2 LEDs, yellow/green, 24 V DC without actuator head Pin assignment: Pin1=21, Pin2=22 Pin3=13 and LED green, Pin4=14 and LED yellow, Pin5=ground LED

product brand name	SIRIUS
product designation	Mechanical safety switches
product type designation	3SE5
manufacturer's article number	
• of the supplied switching contacts	<a href="#">3SE5000-OCA00</a>
suitability for use safety switch	Yes
<b>General technical data</b>	
product function positive opening	Yes
insulation voltage rated value	125 V
degree of pollution	class 3
surge voltage resistance rated value	0.8 kV
protection class IP	IP66/IP67
shock resistance	
• according to IEC 60068-2-27	30g / 11 ms
vibration resistance according to IEC 60068-2-6	0.35 mm/5g
mechanical service life (operating cycles) typical	15 000 000
thermal current	4 A
reference code according to IEC 81346-2	B
continuous current of the C characteristic MCB	1 A; for a short-circuit current smaller than 400 A
continuous current of the quick DIAZED fuse link	4 A; for a short-circuit current smaller than 400 A
continuous current of the DIAZED fuse link gG	4 A
active principle	mechanical
repeat accuracy	0.05 mm
operating resource protection class	III (according to EN 60536)
Substance Prohibitance (Date)	07/01/2006
SVHC substance name	Lead - 7439-92-1 Imidazolidine-2-thione (2-imidazoline-2-thiol) - 96-45-7
Weight	0.335 kg
minimum actuating force in directions of actuation	20 N
length of the sensor	99.7 mm
width of the sensor	40 mm
<b>Ambient conditions</b>	
ambient temperature	
• during operation	-25 ... +60 °C
• during storage	-40 ... +90 °C
explosion protection category for dust	none
<b>Main circuit</b>	
design of the switching contact	mechanical
number of NC contacts for auxiliary contacts	1
number of NO contacts for auxiliary contacts	1

<b>operational current at DC-13</b>	
• at 24 V rated value	3 A
<b>Enclosure</b>	
<b>design of the housing</b>	block, narrow
<b>material of the enclosure</b>	metal
<b>coating of the enclosure</b>	cathodic dip coating
<b>design of the housing according to standard</b>	Yes
<b>Drive Head</b>	
<b>design of the actuating element</b>	Other, without, basic switch with LED and plug
<b>design of the switching function</b>	Positive opening with appropriate positive opening actuator head
<b>circuit principle</b>	snap-action contacts
number of switching contacts safety-related	1
<b>cable entry type</b>	M12 plug
<b>design of plug-in connection</b>	M12 plug, 5-pole: Pin 1 = terminal 21, Pin 2 = 22, Pin 3 = 13/LED green, Pin 4 = 14/LED yellow, Pin 5 = ground LED
<b>Installation/ mounting/ dimensions</b>	
<b>mounting position</b>	any
<b>fastening method</b>	screw fixing
<b>Connections/ Terminals</b>	
<b>type of electrical connection</b>	M12 plug, fixed
<b>Supply voltage</b>	
type of voltage of the supply voltage of the optional LED display	DC
<b>supply voltage of LED</b>	
•	24 V
design of the interface for safety-related communication	without
<b>Communication/ Protocol</b>	
<b>design of the interface</b>	without
<b>Approvals Certificates</b>	
<b>General Product Approval</b>	<b>Functional Safety</b>

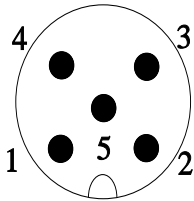
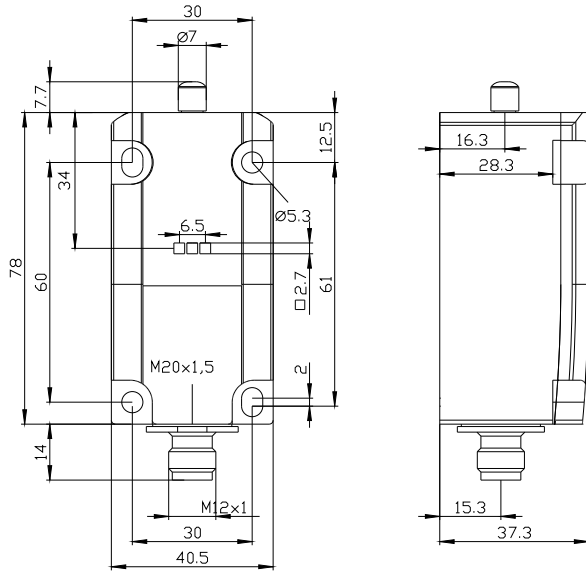


[Type Examination Certificate](#)

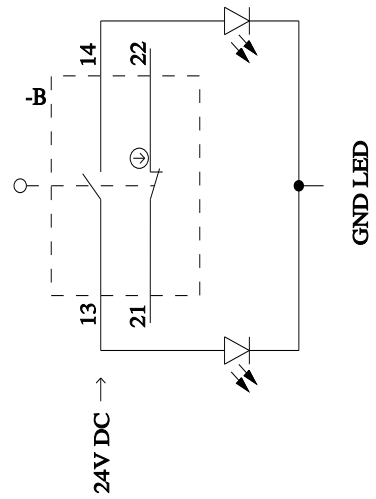
<b>Test Certificates</b>	<b>other</b>	<b>Environment</b>
<a href="#">Type Test Certificates/Test Report</a>		<a href="#">Confirmation</a>
		<a href="#">Environmental Confirmations</a>

**Further information**

- Information on the packaging  
<https://support.industry.siemens.com/cs/ww/en/view/109813875>
- Information for data generation and storage  
<https://support.industry.siemens.com/cs/ww/en/view/109995012>
- Information- and Downloadcenter (Catalogs, Brochures,...)  
<https://www.siemens.com/ic10>
- Industry Mall (Online ordering system)  
<https://mall.industry.siemens.com/mall/en/en/Catalog/product?mlfb=3SE5114-1CA00-1AF3>
- Cax online generator  
<https://support.automation.siemens.com/WW/CAXorder/default.aspx?lang=en&mlfb=3SE5114-1CA00-1AF3>
- Service&Support (Manuals, Certificates, Characteristics, FAQs,...)  
<https://support.industry.siemens.com/cs/ww/en/ps/3SE5114-1CA00-1AF3>
- Image database (product images, 2D dimension drawings, 3D models, device circuit diagrams, EPLAN macros, ...)  
[https://www.automation.siemens.com/bilddb/cax\\_de.aspx?mlfb=3SE5114-1CA00-1AF3&lang=en](https://www.automation.siemens.com/bilddb/cax_de.aspx?mlfb=3SE5114-1CA00-1AF3&lang=en)



1	BN = Brown	→	21
2	WH = White	→	22
3	BU = Blue	→	13+LED-Green
4	BK = Black	→	14+LED-Yellow
5	GY = Grey	→	GND LED



last modified:

4/2/2025