



position switch, 3SE51 metal enclosure 40 mm according to EN 50041 1 NO/1 NC quick action contacts with M12 plug, 5-pole, fixed pin assignment: Pin1=21, Pin2=22 Pin3=13, Pin4=14, Pin5=PE with roller plunger, 30 N actuating/restoring force only available as complete unit

product brand name	SIRIUS
product designation	Mechanical position switches
product type designation	3SE5
manufacturer's article number	
<ul style="list-style-type: none"> <li>of the supplied basic switch</li> <li>of the supplied actuator head for position switches</li> <li>of the supplied switching contacts</li> </ul>	<a href="#">3SE5114-OCA00-1AL0</a> <a href="#">3SE5000-OAD02</a> <a href="#">3SE5000-OCA00</a>
suitability for use safety switch	Yes
<b>General technical data</b>	
product function positive opening	Yes
insulation voltage rated value	125 V
degree of pollution	class 3
surge voltage resistance rated value	1.5 kV
protection class IP	IP66/IP67
shock resistance	
<ul style="list-style-type: none"> <li>according to IEC 60068-2-27</li> </ul>	30g / 11 ms
vibration resistance according to IEC 60068-2-6	0.35 mm/5g
mechanical service life (operating cycles) typical	3 000 000
thermal current	4 A
material of the enclosure of the switch head	metal
reference code according to IEC 81346-2	B
continuous current of the C characteristic MCB	1 A; for a short-circuit current smaller than 400 A
continuous current of the quick DIAZED fuse link	4 A; for a short-circuit current smaller than 400 A
continuous current of the DIAZED fuse link gG	4 A
active principle	mechanical
repeat accuracy	0.05 mm
Substance Prohibitance (Date)	07/01/2006
SVHC substance name	Lead - 7439-92-1 Imidazolidine-2-thione (2-imidazoline-2-thiol) - 96-45-7
Weight	0.368 kg
minimum actuating force in directions of actuation	30 N
length of the sensor	130.5 mm
width of the sensor	40 mm
<b>Ambient conditions</b>	
ambient temperature	
<ul style="list-style-type: none"> <li>during operation</li> <li>during storage</li> </ul>	-25 ... +85 °C -40 ... +90 °C
explosion protection category for dust	none
<b>Main circuit</b>	
design of the switching contact	mechanical

operating frequency rated value	50 ... 60 Hz
number of NC contacts for auxiliary contacts	1
number of NO contacts for auxiliary contacts	1
<b>operational current at AC-15</b>	
• at 24 V rated value	4 A
• at 125 V rated value	4 A
<b>operational current at DC-13</b>	
• at 24 V rated value	3 A
• at 125 V rated value	0.55 A
<b>Enclosure</b>	
design of the housing	block, narrow
material of the enclosure	metal
coating of the enclosure	cathodic dip coating
design of the housing according to standard	Yes
<b>Drive Head</b>	
design of the actuating element	Roller plunger, high-grade steel roller
standard-compliant actuator head	EN 50041, design C
shape of the switch head	roller
design of the switching function	positive opening
circuit principle	snap-action contacts
number of switching contacts safety-related	1
cable entry type	M12 plug
design of plug-in connection	M12 plug, 5-pole: Pin 1 = terminal 21, Pin 2 = 22, Pin 3 = 13, Pin 4 = 14, Pin 5 = PU
<b>Installation/ mounting/ dimensions</b>	
mounting position	any
fastening method	screw fixing
<b>Connections/ Terminals</b>	
type of electrical connection	M12 plug, fixed
design of the interface for safety-related communication	without
<b>Communication/ Protocol</b>	
design of the interface	without
<b>Approvals Certificates</b>	
General Product Approval	Test Certificates



[Type Test Certificates/Test Report](#)

other

Environment



[Confirmation](#)

[Environmental Conformations](#)

#### Further information

##### Information on the packaging

<https://support.industry.siemens.com/cs/ww/en/view/109813875>

##### Information for data generation and storage

<https://support.industry.siemens.com/cs/ww/en/view/109995012>

##### Information- and Downloadcenter (Catalogs, Brochures,...)

<https://www.siemens.com/ic10>

##### Industry Mall (Online ordering system)

<https://mall.industry.siemens.com/mall/en/en/Catalog/product?mlfb=3SE5114-0CD02-1AL0>

##### Cax online generator

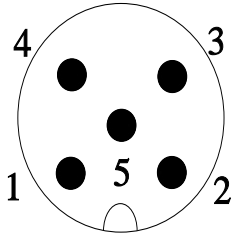
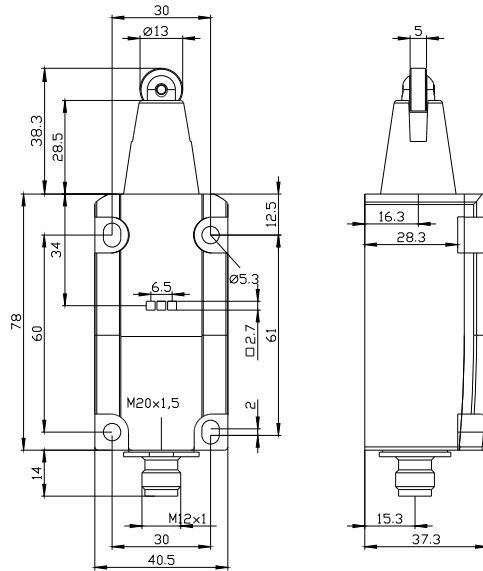
<https://support.automation.siemens.com/WW/CAXorder/default.aspx?lang=en&mlfb=3SE5114-0CD02-1AL0>

##### Service&Support (Manuals, Certificates, Characteristics, FAQs,...)

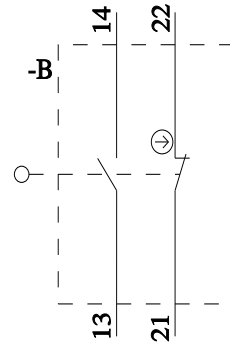
<https://support.industry.siemens.com/cs/ww/en/ps/3SE5114-0CD02-1AL0>

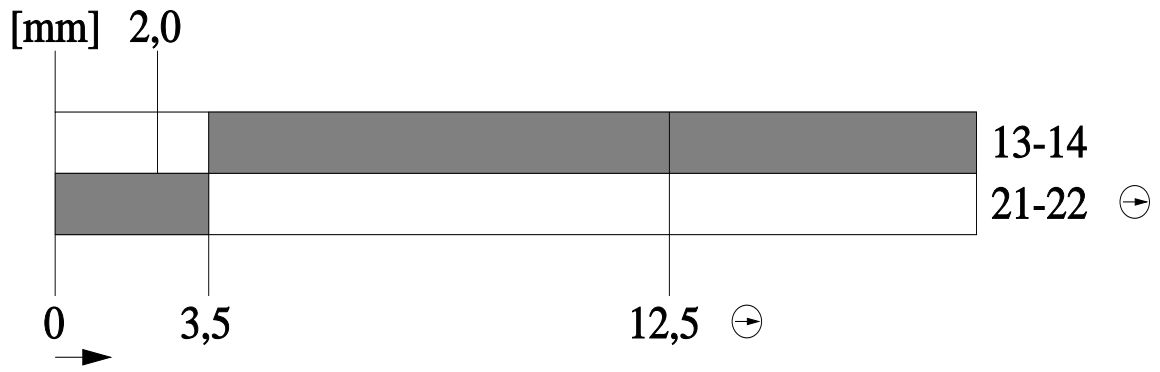
##### Image database (product images, 2D dimension drawings, 3D models, device circuit diagrams, EPLAN macros, ...)

[https://www.automation.siemens.com/bilddb/cax\\_de.aspx?mlfb=3SE5114-0CD02-1AL0&lang=en](https://www.automation.siemens.com/bilddb/cax_de.aspx?mlfb=3SE5114-0CD02-1AL0&lang=en)



1	<b>BN = Brown</b>	→	<b>21</b>
2	<b>WH = White</b>	→	<b>22</b>
3	<b>BU = Blue</b>	→	<b>13</b>
4	<b>BK = Black</b>	→	<b>14</b>
5	<b>GN/YE = Green/Yellow</b>	→	<b>⊕</b>





---

last modified:

4/2/2025 ↻