


Blocking insert, accessory for Position switch with separate actuator, with and without tumbler 3SE51/2/3 and 3SF11/2/3 made of stainless steel sheet for 8 padlocks Shackle diameter max. 8.5 mm



product brand name	SIRIUS
product designation	blocking insert for switch with separate actuator/ tumbler 3SE5 and 3SF1
product type designation	3SE5
General technical data	
shock resistance	
• according to IEC 60068-2-27	30g / 11 ms
vibration resistance	
• according to IEC 60068-2-6	0.35 mm/5g
reference code according to IEC 81346-2	T
Substance Prohibition (Date)	07/01/2006
Weight	0.075 kg
Ambient conditions	
ambient temperature	
• during operation	-25 ... +85 °C
• during storage	-40 ... +90 °C
Approvals Certificates	
General Product Approval	EMV



Functional Safety	Test Certificates	other
Miscellaneous	Type Examination Certificate	Type Examination Certificate
	Type Test Certificates/Test Report	
		Confirmation

Environment
Environmental Conformations

Further information
Information on the packaging

<https://support.industry.siemens.com/cs/ww/en/view/109813875>

Information for data generation and storage

<https://support.industry.siemens.com/cs/ww/en/view/109995012>

Information- and Downloadcenter (Catalogs, Brochures,...)

<https://www.siemens.com/ic10>

Industry Mall (Online ordering system)

<https://mall.industry.siemens.com/mall/en/en/Catalog/product?mlfb=3SE5000-0AV08-1AA3>

Cax online generator

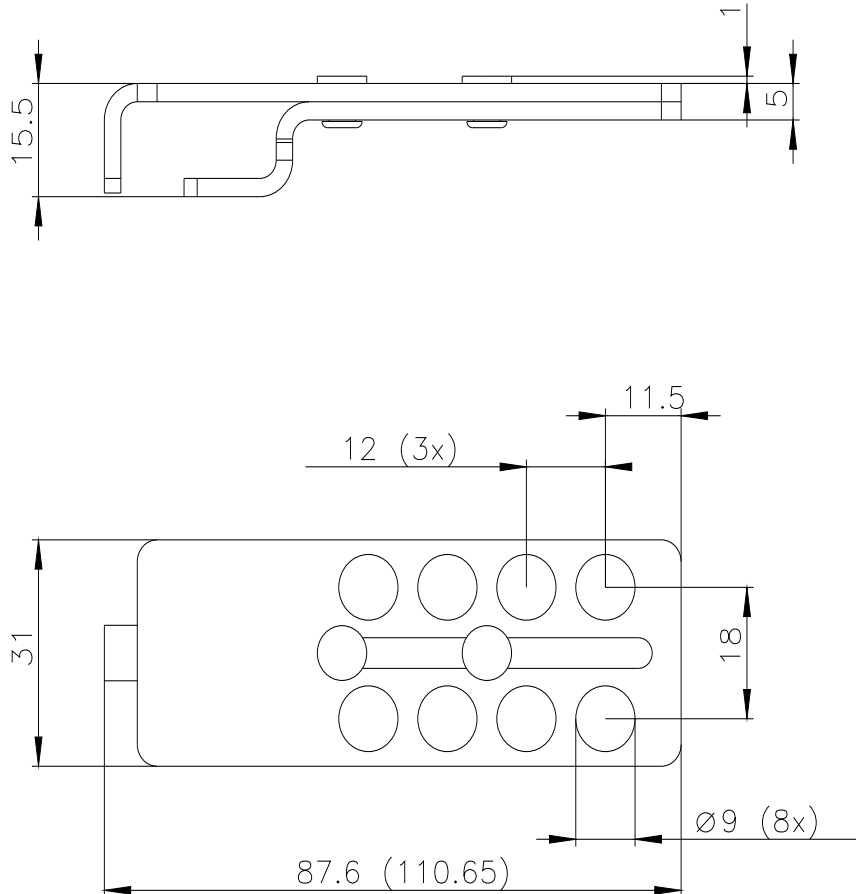
<https://support.automation.siemens.com/WW/CAXorder/default.aspx?lang=en&mlfb=3SE5000-0AV08-1AA3>

Service&Support (Manuals, Certificates, Characteristics, FAQs,...)

<https://support.industry.siemens.com/cs/ww/en/ps/3SE5000-0AV08-1AA3>

Image database (product images, 2D dimension drawings, 3D models, device circuit diagrams, EPLAN macros, ...)

https://www.automation.siemens.com/bilddb/cax_de.aspx?mlfb=3SE5000-0AV08-1AA3&lang=en



last modified:

10/18/2025 