



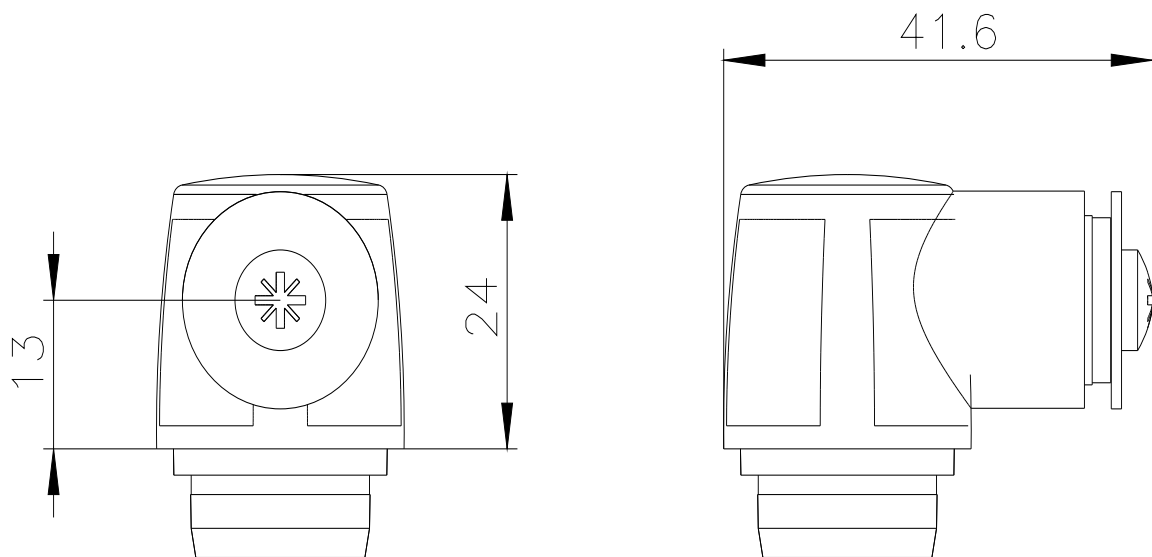
Pivoting lever drive functional at -40 °C for position switch 3SE52, for 31/50 mm, Switch points according to EN 50047. The switching direction the lever is on left / right or left only or only to the right. Delivery state ist right / left. (Please order lever separately)

product brand name	SIRIUS	
product designation	Part-turn actuator for position switch 3SE52/3SF12	
product type designation	3SE5	
General technical data		
shock resistance		
• according to IEC 60068-2-27	30g / 11 ms	
• for railway applications according to EN 61373	Category 1, Class B	
vibration resistance		
• according to IEC 60068-2-6	0.35 mm/5g	
• for railway applications according to EN 61373	Category 1, Class B	
material of the enclosure of the switch head	plastic	
reference code according to IEC 81346-2	T	
active principle	mechanical	
Substance Prohibitance (Date)	07/01/2006	
Weight	0.03 kg	
minimum actuating torque in directions of actuation	0.25 N·m	
Ambient conditions		
ambient temperature		
• during operation	-40 ... +85 °C	
• during storage	-40 ... +90 °C	
explosion protection category for dust	none	
Enclosure		
coating of the enclosure	Other types	
Drive Head		
design of the actuating element	Twist actuator, without lever or rod	
standard-compliant actuator head	EN 50047	
Installation/ mounting/ dimensions		
mounting position	any	
fastening method	lockable plug-in fixing	
design of the interface for safety-related communication	without	
Communication/ Protocol		
design of the interface	without	
Approvals Certificates		
General Product Approval	Functional Safety	Test Certificates



[Type Examination Certificate](#)

[Type Test Certificates/Test Report](#)

[Confirmation](#)[Environmental Con-
firmations](#)**Further information****Information on the packaging**<https://support.industry.siemens.com/cs/ww/en/view/109813875>**Information for data generation and storage**<https://support.industry.siemens.com/cs/ww/en/view/109995012>**Information- and Downloadcenter (Catalogs, Brochures,...)**<https://www.siemens.com/ic10>**Industry Mall (Online ordering system)**<https://mall.industry.siemens.com/mall/en/en/Catalog/product?mlfb=3SE5000-0AK00-1AJ0>**Cax online generator**<https://support.automation.siemens.com/WW/CAXorder/default.aspx?lang=en&mlfb=3SE5000-0AK00-1AJ0>**Service&Support (Manuals, Certificates, Characteristics, FAQs,...)**<https://support.industry.siemens.com/cs/ww/en/ps/3SE5000-0AK00-1AJ0>**Image database (product images, 2D dimension drawings, 3D models, device circuit diagrams, EPLAN macros, ...)**https://www.automation.siemens.com/bilddb/cax_de.aspx?mlfb=3SE5000-0AK00-1AJ0&lang=en

last modified:

4/2/2025