

Actuator head for position switch 3SE51 Angular roller lever,Stainless steel lever
Stainless steel lever with plastic roller 22 mm functional at -40 °C



product brand name	SIRIUS	
product designation	actuator head for position switch	
product type designation	3SE5	
General technical data		
product function positive opening	Yes	
shock resistance		
• according to IEC 60068-2-27	30g / 11 ms	
• for railway applications according to EN 61373	Category 1, Class B	
vibration resistance		
• according to IEC 60068-2-6	0.35 mm/5g	
• for railway applications according to EN 61373	Category 1, Class B	
mechanical service life (operating cycles) typical	15 000 000	
material of the enclosure of the switch head	plastic	
reference code according to IEC 81346-2	T	
active principle	mechanical	
Substance Prohibition (Date)	07/01/2006	
Weight	0.035 kg	
minimum actuating force in directions of actuation	10 N	
Ambient conditions		
ambient temperature		
• during operation	-40 ... +85 °C	
• during storage	-40 ... +90 °C	
explosion protection category for dust	none	
Enclosure		
coating of the enclosure	Other types	
Drive Head		
design of the actuating element	Angular roller lever, high-grade steel lever, plastic roller	
standard-compliant actuator head	EN 50041	
shape of the switch head	roller	
outer diameter of the switch head	22 mm	
Installation/ mounting/ dimensions		
mounting position	any	
fastening method	lockable plug-in fixing	
design of the interface for safety-related communication	without	
Communication/ Protocol		
design of the interface	without	
Approvals Certificates		
General Product Approval	Test Certificates	other



[Type Test Certificates/Test Report](#)



other

Environment

[Confirmation](#)

[Environmental Confirmations](#)

Further information

Information on the packaging

<https://support.industry.siemens.com/cs/ww/en/view/109813875>

Information for data generation and storage

<https://support.industry.siemens.com/cs/ww/en/view/109995012>

Information- and Downloadcenter (Catalogs, Brochures,...)

<https://www.siemens.com/ic10>

Industry Mall (Online ordering system)

<https://mall.industry.siemens.com/mall/en/en/Catalog/product?mlfb=3SE5000-0AF03-1AJ0>

Cax online generator

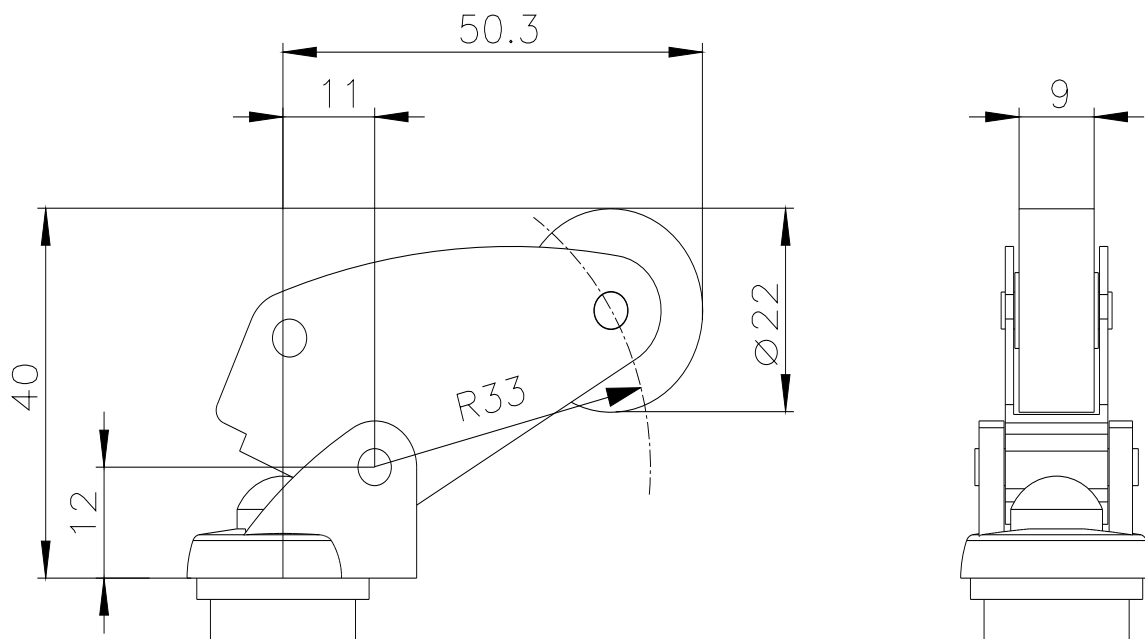
<https://support.automation.siemens.com/WW/CAXorder/default.aspx?lang=en&mlfb=3SE5000-0AF03-1AJ0>

Service&Support (Manuals, Certificates, Characteristics, FAQs,...)

<https://support.industry.siemens.com/cs/ww/en/ps/3SE5000-0AF03-1AJ0>

Image database (product images, 2D dimension drawings, 3D models, device circuit diagrams, EPLAN macros, ...)

https://www.automation.siemens.com/bilddb/cax_de.aspx?mlfb=3SE5000-0AF03-1AJ0&lang=en



last modified:

4/2/2025