



Figure similar

Hinge switch Molded-plastic enclosure with aluminum hinge 3xNC, Slow-action contacts for 40 mm profiles Supplied with additional hinge and fixing material Cable entry 2 x M20 x 1.5 Actuating angle 4°

product brand name	SIRIUS
product designation	Safety hinge switches
product type designation	<a href="#">3SE228</a>
suitability for use safety switch	Yes
<b>General technical data</b>	
product function positive opening	Yes
insulation voltage rated value	250 V
surge voltage resistance rated value	4 kV
protection class IP	IP65
shock resistance	30g / 18 ms
vibration resistance	10 ... 200 Hz: 20g
mechanical service life (operating cycles) typical	1 000 000
thermal current	2.5 A
reference code according to IEC 81346-2	B
active principle	mechanical
Substance Prohibitance (Date)	07/01/2006
SVHC substance name	Lead - 7439-92-1
Weight	0.425 kg
length of the sensor	92 mm
width of the sensor	111.5 mm
<b>Ambient conditions</b>	
ambient temperature	
• during operation	-25 ... +65 °C
explosion protection category for dust	none
design of the switching contact	mechanical
number of NC contacts for auxiliary contacts	3
number of NO contacts for auxiliary contacts	0
operational current at AC-15	
• at 125 V rated value	4.2 A
• at 230 V rated value	2 A
operational current at DC-13	
• at 24 V rated value	1 A
<b>Enclosure</b>	
design of the housing	special design
material of the enclosure	glass fiber reinforced thermoplast
coating of the enclosure	none
design of the housing according to standard	No
<b>Drive Head</b>	

design of the actuating element	rotary actuator	
design of the switching function	positive opening	
circuit principle	slow-action contacts	
number of switching contacts safety-related	3	
cable entry type	2x (M20 x 1.5)	
<b>Installation/ mounting/ dimensions</b>		
fastening method	screw fixing	
<b>Connections/ Terminals</b>		
type of electrical connection	screw terminal	
type of connectable conductor cross-sections	1x (0,5 ... 1 mm <sup>2</sup> )	
• finely stranded with core end processing		
design of the interface for safety-related communication	without	
<b>Communication/ Protocol</b>		
design of the interface	without	
<b>Approvals Certificates</b>		
General Product Approval	Test Certificates	Maritime application



[Miscellaneous](#)



other	Environment
-------	-------------

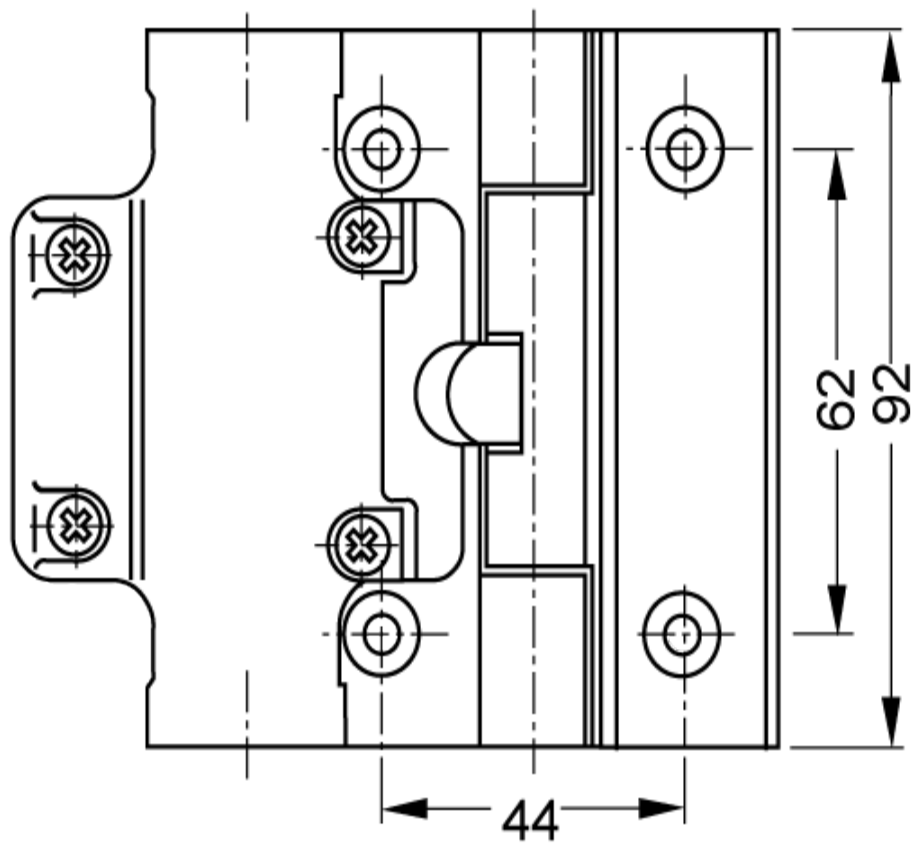
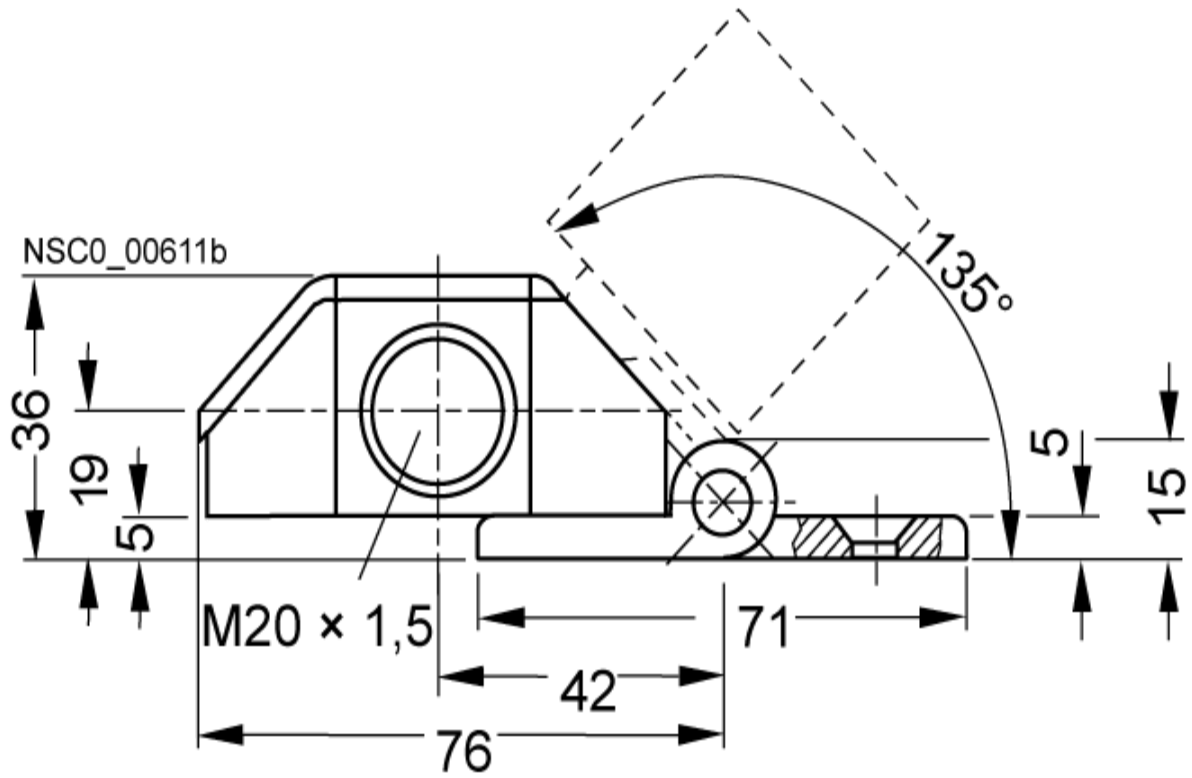


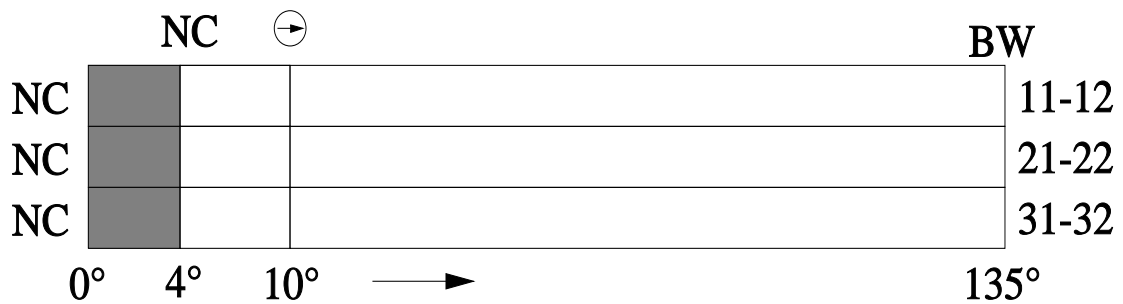
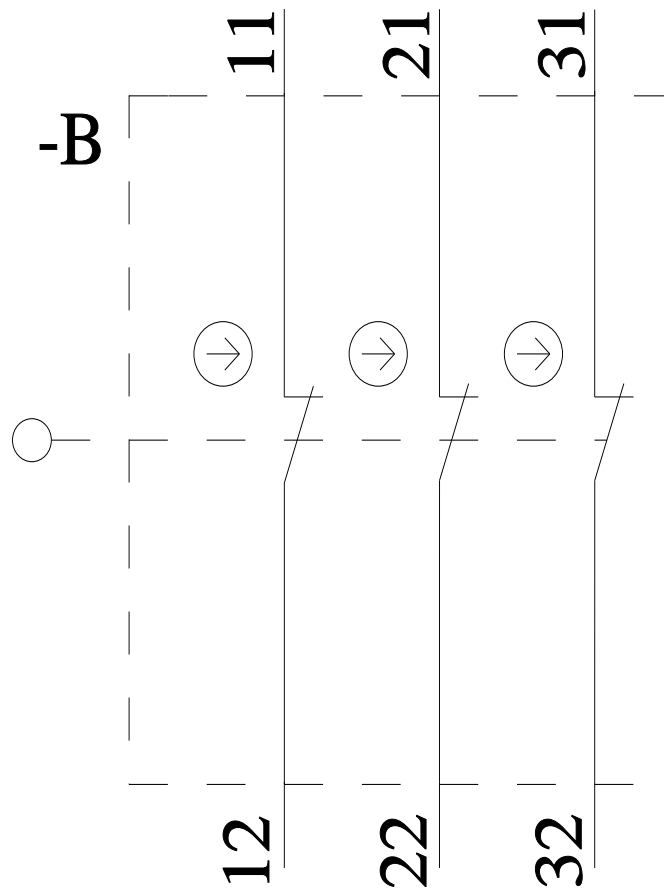
[Confirmation](#)

[Environmental Confirmations](#)

**Further information**

- Information on the packaging  
<https://support.industry.siemens.com/cs/ww/en/view/109813875>
- Information for data generation and storage  
<https://support.industry.siemens.com/cs/ww/en/view/109995012>
- Information- and Downloadcenter (Catalogs, Brochures,...)  
<https://www.siemens.com/ic10>
- Industry Mall (Online ordering system)  
<https://mall.industry.siemens.com/mall/en/en/Catalog/product?mlfb=3SE2283-6GA43>
- Cax online generator  
<https://support.automation.siemens.com/WW/CAXorder/default.aspx?lang=en&mlfb=3SE2283-6GA43>
- Service&Support (Manuals, Certificates, Characteristics, FAQs,...)  
<https://support.industry.siemens.com/cs/ww/en/ps/3SE2283-6GA43>
- Image database (product images, 2D dimension drawings, 3D models, device circuit diagrams, EPLAN macros, ...)  
[https://www.automation.siemens.com/bilddb/cax\\_de.aspx?mlfb=3SE2283-6GA43&lang=en](https://www.automation.siemens.com/bilddb/cax_de.aspx?mlfb=3SE2283-6GA43&lang=en)





NC Öffnerkontakt / NC contact

→ Betätigungsrichtung / Travel

BW Betätigungsweg / Actuator travel

⊙→ Zwangsöffnung nach / positive opening operation according to EN 60967-5-1

■ Schaltglied geschlossen / Contact element closed

□ Schaltglied geöffnet / Contact element open

last modified:

4/2/2025 ↗