



Safety position switch with separate actuator Molded-plastic-encapsulated short enclosure, 3x(M20x1.5) lateral and face-end operation slow-action contact 1 NC, Pull-out force 5 N Supplied without actuator

product brand name	SIRIUS
product designation	safety position switch
product type designation	3SE22
suitability for use safety switch	Yes
<b>General technical data</b>	
insulation voltage rated value	500 V
surge voltage resistance rated value	6 kV
protection class IP	IP67
mechanical service life (operating cycles) typical	1 000 000
thermal current	10 A
reference code according to IEC 81346-2	B
active principle	mechanical
Substance Prohibitance (Date)	07/01/2006
Weight	0.131 kg
length of the sensor	75 mm
width of the sensor	52 mm
<b>Ambient conditions</b>	
ambient temperature	
• during operation	-30 ... +80 °C
• during storage	-30 ... +80 °C
explosion protection category for dust	none
design of the switching contact	mechanical
operating frequency rated value	60 ... 50 Hz
number of NC contacts for auxiliary contacts	0
number of NO contacts for auxiliary contacts	1
operational current at AC-15	
• at 230 V rated value	4 A
operational current at DC-13	
• at 24 V rated value	4 A
<b>Enclosure</b>	
design of the housing	wide
material of the enclosure	glass fiber reinforced thermoplast
coating of the enclosure	Other types
design of the housing according to standard	No
<b>Drive Head</b>	
design of the actuating element	without
design of the switching function	positive opening
circuit principle	slow-action contacts
number of switching contacts safety-related	1

<b>cable entry type</b>	3x (M20 x 1.5)
<b>Installation/ mounting/ dimensions</b>	
<b>mounting position</b>	any
<b>fastening method</b>	screw fixing
<b>Connections/ Terminals</b>	
<b>type of electrical connection</b>	screw terminal
<b>type of connectable conductor cross-sections</b>	
• solid	2x (0.75 ... 2.5 mm <sup>2</sup> )
• finely stranded with core end processing	2x (0.75 ... 2.5 mm <sup>2</sup> )
design of the interface for safety-related communication	without
<b>Communication/ Protocol</b>	
<b>design of the interface</b>	without
<b>Approvals Certificates</b>	
<b>General Product Approval</b>	<b>Test Certificates</b>

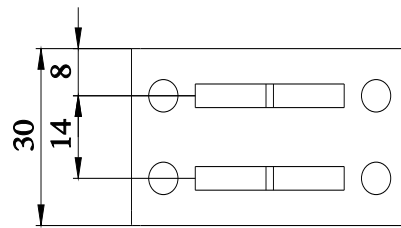
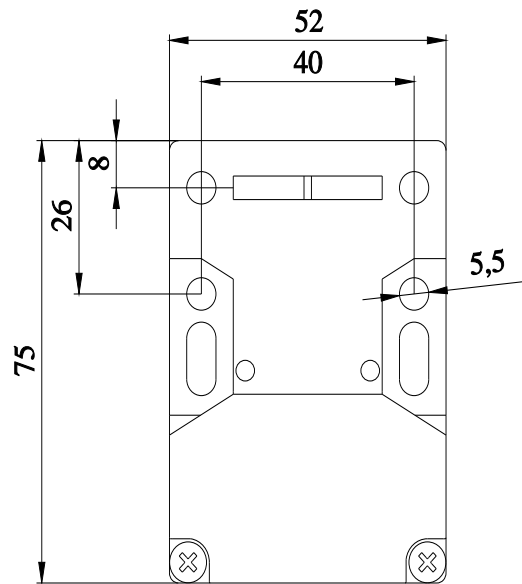


[Miscellaneous](#)

<b>Maritime application</b>	<b>other</b>	<b>Environment</b>
	<a href="#">Confirmation</a>	<a href="#">Environmental Confirmations</a>
		

**Further information**

- Information on the packaging**  
<https://support.industry.siemens.com/cs/ww/en/view/109813875>
- Information for data generation and storage**  
<https://support.industry.siemens.com/cs/ww/en/view/109995012>
- Information- and Downloadcenter (Catalogs, Brochures,...)**  
<https://www.siemens.com/ic10>
- Industry Mall (Online ordering system)**  
<https://mall.industry.siemens.com/mall/en/en/Catalog/product?mlfb=3SE2257-6XX40>
- Cax online generator**  
<https://support.automation.siemens.com/WW/CAXorder/default.aspx?lang=en&mlfb=3SE2257-6XX40>
- Service&Support (Manuals, Certificates, Characteristics, FAQs,...)**  
<https://support.industry.siemens.com/cs/ww/en/ps/3SE2257-6XX40>
- Image database (product images, 2D dimension drawings, 3D models, device circuit diagrams, EPLAN macros, ...)**  
[https://www.automation.siemens.com/bilddb/cax\\_de.aspx?mlfb=3SE2257-6XX40&lang=en](https://www.automation.siemens.com/bilddb/cax_de.aspx?mlfb=3SE2257-6XX40&lang=en)



last modified:

4/2/2025 