



safety position switch with separate actuator plastic, short enclosure, 3x(M20x1.5), lateral and face-end operation, slow-action contacts 1 NC pull-out force 30 N, supplied without actuator

product brand name	SIRIUS
product designation	safety position switch
product type designation	3SE22
suitability for use safety switch	Yes
<b>General technical data</b>	
insulation voltage rated value	500 V
surge voltage resistance rated value	6 kV
protection class IP	IP67
mechanical service life (operating cycles) typical	1 000 000
thermal current	10 A
reference code according to IEC 81346-2	B
active principle	mechanical
Substance Prohibitance (Date)	07/01/2006
Weight	0.12 kg
length of the sensor	75 mm
width of the sensor	52 mm
<b>Ambient conditions</b>	
ambient temperature	
• during operation	-30 ... +80 °C
• during storage	-30 ... +80 °C
explosion protection category for dust	none
design of the switching contact	mechanical
operating frequency rated value	60 ... 50 Hz
number of NC contacts for auxiliary contacts	0
number of NO contacts for auxiliary contacts	3
operational current at AC-15	
• at 230 V rated value	4 A
operational current at DC-13	
• at 24 V rated value	4 A
<b>Enclosure</b>	
design of the housing	wide
material of the enclosure	glass fiber reinforced thermoplast
coating of the enclosure	Other types
design of the housing according to standard	No
<b>Drive Head</b>	
design of the actuating element	without
design of the switching function	positive opening
circuit principle	slow-action contacts
number of switching contacts safety-related	3
cable entry type	3x (M20 x 1.5)

Installation/ mounting/ dimensions			
mounting position	any		
fastening method	screw fixing		
Connections/ Terminals			
type of electrical connection	screw terminal		
type of connectable conductor cross-sections			
• solid	2x (0.75 ... 2.5 mm <sup>2</sup> )		
• finely stranded with core end processing	2x (0.75 ... 2.5 mm <sup>2</sup> )		
design of the interface for safety-related communication	without		
Communication/ Protocol			
design of the interface	without		
Approvals Certificates			
General Product Approval	Test Certificates	Maritime application	other



[Miscellaneous](#)



other	Environment
<a href="#">Confirmation</a>	<a href="#">Environmental Confirmations</a>

#### Further information

##### Information on the packaging

<https://support.industry.siemens.com/cs/ww/en/view/109813875>

##### Information for data generation and storage

<https://support.industry.siemens.com/cs/ww/en/view/109995012>

##### Information- and Downloadcenter (Catalogs, Brochures,...)

<https://www.siemens.com/ic10>

##### Industry Mall (Online ordering system)

<https://mall.industry.siemens.com/mall/en/en/Catalog/product?mlfb=3SE2257-6XX>

##### Cax online generator

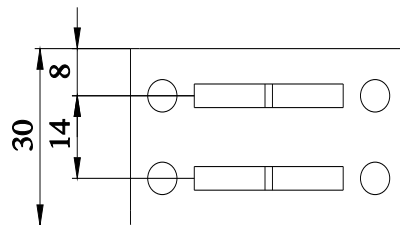
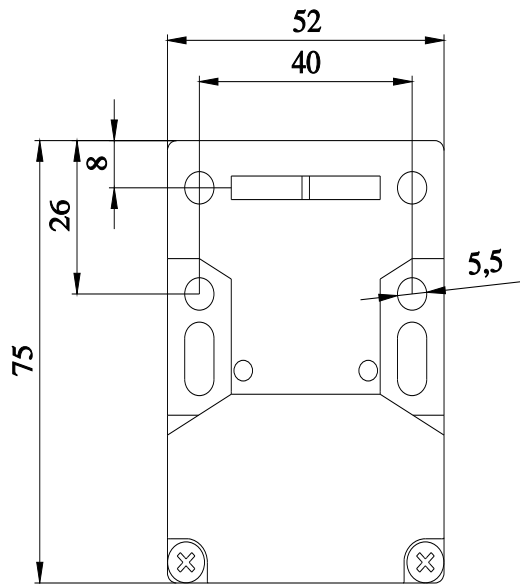
<https://support.automation.siemens.com/WW/CAXorder/default.aspx?lang=en&mlfb=3SE2257-6XX>

##### Service&Support (Manuals, Certificates, Characteristics, FAQs,...)

<https://support.industry.siemens.com/cs/ww/en/ps/3SE2257-6XX>

##### Image database (product images, 2D dimension drawings, 3D models, device circuit diagrams, EPLAN macros, ...)

[https://www.automation.siemens.com/bilddb/cax\\_de.aspx?mlfb=3SE2257-6XX&lang=en](https://www.automation.siemens.com/bilddb/cax_de.aspx?mlfb=3SE2257-6XX&lang=en)



last modified:

4/2/2025 