



Emergency stop mushroom pushbutton, 16 mm, round, plastic, red latching, with rotate-to-unlatch mechanism, according to ISO 13850

product brand name	SIRIUS
product designation	EMERGENCY STOP mushroom pushbuttons
design of the product	Single device round with positive latching in accordance with ISO 13850
product type designation	3SB2
Enclosure	
number of command points	1
Actuator	
design of the actuating element	EMERGENCY STOP mushroom pushbutton
principle of operation of the actuating element	latching
product extension optional light source	No
color of the actuating element	red
material of the actuating element	plastic
outer diameter of the actuating element	28.5 mm
type of unlocking device	rotate-to-unlatch mechanism
number of switching positions	2
Front ring	
product component front ring	No
Holder	
material of the holder	Plastic
General technical data	
product function	
• EMERGENCY OFF function	Yes
• EMERGENCY STOP function	Yes
protection class IP	IP65
vibration resistance according to IEC 60068-2-6	20 ... 200 Hz: 5g
operating frequency maximum	1 000 1/h
mechanical service life (operating cycles) typical	300 000
reference code according to IEC 81346-2	S
Substance Prohibitance (Date)	07/01/2006
Weight	0.02 kg
Connections/ Terminals	
tightening torque of the screws in the bracket maximum	0.4 N·m
Safety related data	
proportion of dangerous failures	
• with low demand rate according to SN 31920	20 %
• with high demand rate according to SN 31920	20 %
B10 value with high demand rate according to SN 31920	100 000
failure rate [FIT] with low demand rate according to SN 31920	100 FIT
IEC 61508	

T1 value for proof test interval or service life according to IEC 61508	20 a
---	------

Ambient conditions





ambient temperature	
• during operation	-25 ... +70 °C
• during storage	-40 ... +80 °C

environmental category during operation according to IEC 60721	3K6
--	-----


Installation/ mounting/ dimensions

fastening method	front plate mounting
shape of the installation opening	round
mounting diameter	16 mm
mounting height	21 mm
installation width	28.5 mm
installation depth	50 mm

Approvals Certificates

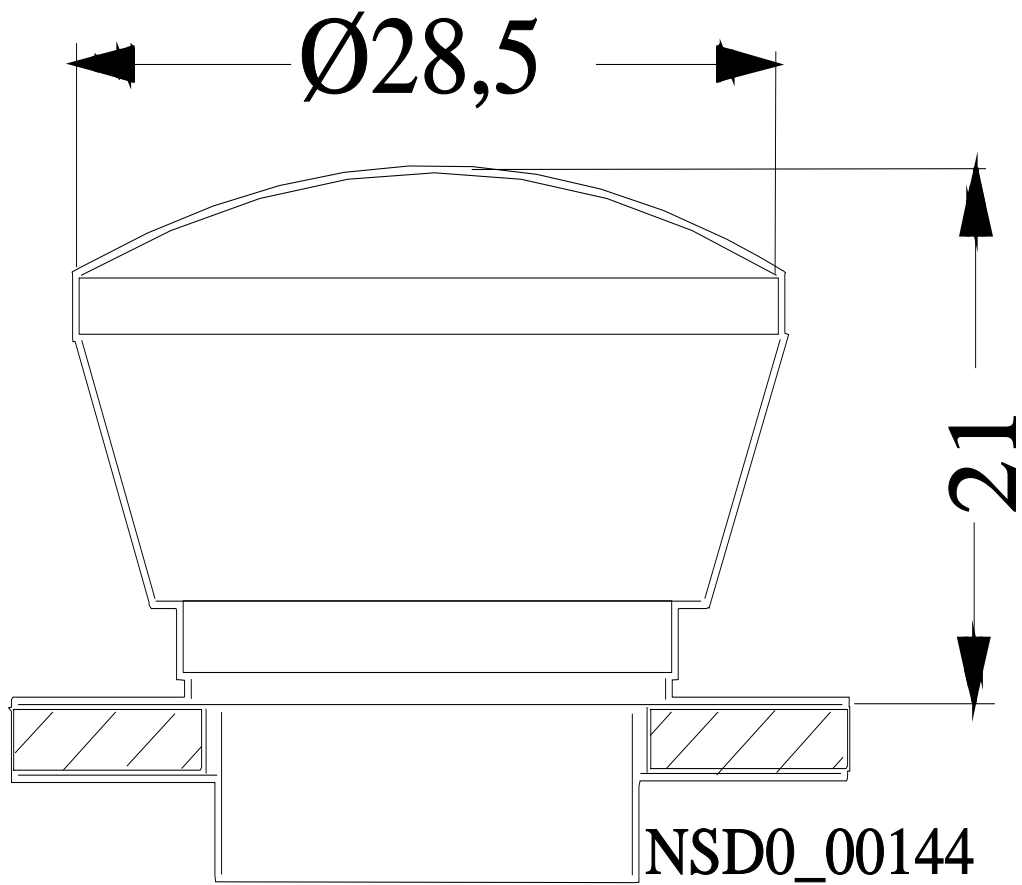
General Product Approval	Test Certificates
 EG-Konf.   UL 	Miscellaneous Special Test Certificate

Test Certificates	other	Environment
-------------------	-------	-------------

Type Test Certificates/Test Report		Confirmation
		Environmental Confirmations

Further information

- Information on the packaging
<https://support.industry.siemens.com/cs/ww/en/view/109813875>
- Information for data generation and storage
<https://support.industry.siemens.com/cs/ww/en/view/109995012>
- Information- and Downloadcenter (Catalogs, Brochures,...)
<https://www.siemens.com/ic10>
- Industry Mall (Online ordering system)
<https://mall.industry.siemens.com/mall/en/en/Catalog/product?mlfb=3SB2000-1AC01>
- Cax online generator
<https://support.automation.siemens.com/WW/CAXorder/default.aspx?lang=en&mlfb=3SB2000-1AC01>
- Service&Support (Manuals, Certificates, Characteristics, FAQs,...)
<https://support.industry.siemens.com/cs/ww/en/ps/3SB2000-1AC01>
- Image database (product images, 2D dimension drawings, 3D models, device circuit diagrams, EPLAN macros, ...)
https://www.automation.siemens.com/bilddb/cax_de.aspx?mlfb=3SB2000-1AC01&lang=en



last modified:

4/2/2025 