

Fan for 3RW55 Size 5



product designation	Fans
product type designation	3RW59
manufacturer's article number of soft starter	3RW555 (3x)

**General technical data**

Substance Prohibittance (Date)	10/21/2019
Weight	0.235 kg

**Ambient conditions**

ambient temperature during storage	-40 ... +80 °C
------------------------------------	----------------

**Approvals Certificates**

General Product Approval	EMV	For use in hazardous locations	Test Certificates
--------------------------	-----	--------------------------------	-------------------



[KC](#)

[Miscellaneous](#)

[Type Test Certificates/Test Report](#)

Maritime application	other
----------------------	-------



other	Environment
-------	-------------

[Confirmation](#)

[Environmental Confirmations](#)

**Further information**

- Information on the packaging  
<https://support.industry.siemens.com/cs/ww/en/view/109813875>
- Information for data generation and storage  
<https://support.industry.siemens.com/cs/ww/en/view/109995012>
- Information- and Downloadcenter (Catalogs, Brochures,...)  
<https://www.siemens.com/ic10>
- Industry Mall (Online ordering system)  
<https://mall.industry.siemens.com/mall/en/en/Catalog/product?mlfb=3RW5985-0FF00>
- Cax online generator

<https://support.automation.siemens.com/WW/CAXorder/default.aspx?lang=en&mlfb=3RW5985-0FF00>

Service&Support (Manuals, Certificates, Characteristics, FAQs,...)

<https://support.industry.siemens.com/cs/ww/en/ps/3RW5985-0FF00>

Image database (product images, 2D dimension drawings, 3D models, device circuit diagrams, EPLAN macros, ...)

[https://www.automation.siemens.com/bilddb/cax\\_de.aspx?mlfb=3RW5985-0FF00&lang=en](https://www.automation.siemens.com/bilddb/cax_de.aspx?mlfb=3RW5985-0FF00&lang=en)

Characteristic: Tripping characteristics, I<sup>2</sup>t, Let-through current

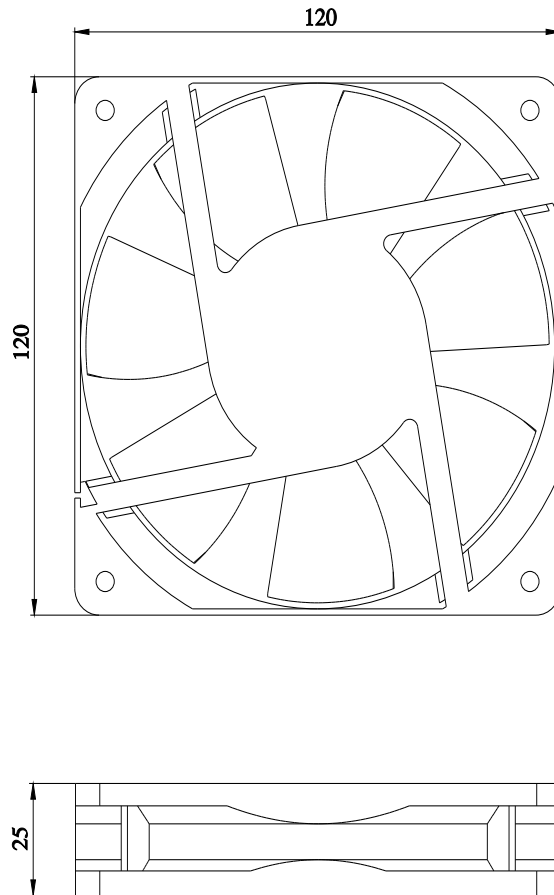
<https://support.industry.siemens.com/cs/ww/en/ps/3RW5985-0FF00/char>

Characteristic: Installation altitude

<https://www.automation.siemens.com/bilddb/index.aspx?view=Search&mlfb=3RW5985-0FF00&objecttype=14&gridview=view1>

Simulation Tool for Soft Starters (STS)

<https://support.industry.siemens.com/cs/ww/en/view/101494917>



last modified:

4/2/2025 

