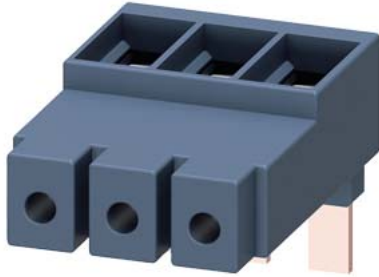


3-phase supply terminal Size S2 for 3-phase busbar connection from top



| | |
|---|--|
| product brand name | SIRIUS |
| product category | Plugs, adapters and terminals |
| product designation | 3-phase supply terminal |
| design of the product | from above, size S2 |
| product type designation | 3RV29 |
| General technical data | |
| certificate of suitability | CE / UL / CSA / CCC |
| size of the circuit-breaker | S2 |
| insulation voltage with degree of pollution 3 at AC rated value | 690 V |
| protection class IP on the front according to IEC 60529 | IP20 |
| Substance Prohibitation (Date) | 10/15/2014 |
| Weight | 0.17 kg |
| ampacity maximum | 105 A |
| Ambient conditions | |
| ambient temperature | |
| • during operation | -20 ... +60 °C |
| • during storage | -50 ... +80 °C |
| Environmental footprint | |
| Environmental Product Declaration (EPD) | Yes |
| global warming potential [CO2 eq] total | 139 kg |
| global warming potential [CO2 eq] during manufacturing | 0.161 kg |
| global warming potential [CO2 eq] during operation | 139 kg |
| global warming potential [CO2 eq] after end of life | -0.056 kg |
| Electrical Safety | |
| protection class IP on the front according to IEC 60529 | IP20 |
| touch protection on the front according to IEC 60529 | finger-safe, for vertical contact from the front |
| Installation/ mounting/ dimensions | |
| height | 51 mm |
| width | 55 mm |
| depth | 77 mm |
| Connections/ Terminals | |
| type of electrical connection for main current circuit | screw-type terminals |
| type of connectable conductor cross-sections | |
| • for main contacts | |
| — solid | 2x (2.5 ... 50 mm ²), 1x (2.5 ... 70 mm ²) |
| — stranded | 2x (2.5 ... 50 mm ²), 1x (2.5 ... 70 mm ²) |
| — finely stranded with core end processing | 2x (2.5 ... 35 mm ²), 1x (2.5 ... 50 mm ²) |
| • for AWG cables for main contacts | 2x (10 ... 1/0), 1x (10 ... 2/0) |
| connectable conductor cross-section for main contacts | |
| • solid or stranded | 2.5 ... 70 mm ² |

- stranded
- finely stranded with core end processing

2.5 ... 70 mm²

2.5 ... 50 mm²

AWG number as coded connectable conductor cross section for main contacts

10 ... 2

Approvals Certificates

General Product Approval

Test Certificates



EG-Konf.



UL



[Special Test Certificate](#)

[Type Test Certificates/Test Report](#)

Maritime application



ABS



BUREAU
VERITAS



DNV



LRS



PRS



RINA

other

Railway

Environment

[Miscellaneous](#)



[Confirmation](#)



VDE

[Special Test Certificate](#)



Environment

[Environmental Confirmations](#)

Further information

Information on the packaging

<https://support.industry.siemens.com/cs/ww/en/view/109813875>

Information for data generation and storage

<https://support.industry.siemens.com/cs/ww/en/view/109995012>

Information- and Downloadcenter (Catalogs, Brochures,...)

<https://www.siemens.com/ic10>

Industry Mall (Online ordering system)

<https://mall.industry.siemens.com/mall/en/en/Catalog/product?mlfb=3RV2935-5A>

Cax online generator

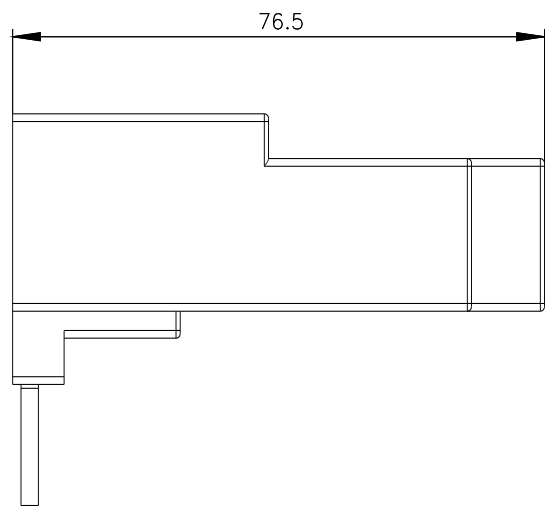
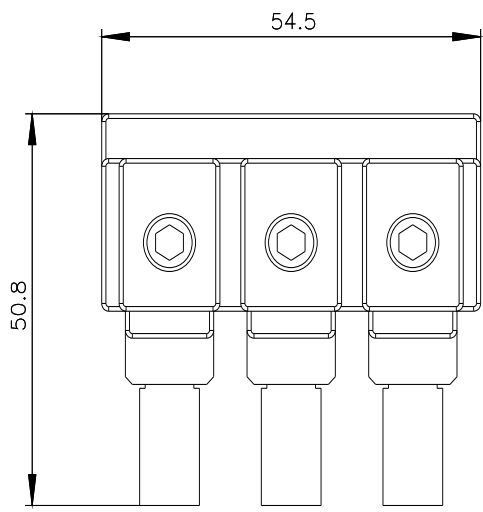
<https://support.automation.siemens.com/WW/CAXorder/default.aspx?lang=en&mlfb=3RV2935-5A>

Service&Support (Manuals, Certificates, Characteristics, FAQs,...)

<https://support.industry.siemens.com/cs/ww/en/ps/3RV2935-5A>

Image database (product images, 2D dimension drawings, 3D models, device circuit diagrams, EPLAN macros, ...)

https://www.automation.siemens.com/bilddb/cax_de.aspx?mlfb=3RV2935-5A&lang=en



last modified:

4/2/2025 