

Terminal block type E according to UL 508 for circuit breaker Size S00/S0



product brand name	SIRIUS
product category	Plugs, adapters and terminals
product designation	Terminal block
design of the product	Type E
product type designation	3RV29
General technical data	
certificate of suitability	CE / UL / CSA / CCC
size of the circuit-breaker	S00, S0
insulation voltage with degree of pollution 3 at AC rated value	690 V
protection class IP on the front according to IEC 60529	IP20
Substance Prohibition (Date)	10/01/2009
Weight	85 g
ampacity maximum	40 A
Ambient conditions	
ambient temperature	
• during operation	-20 ... +60 °C
• during storage	-50 ... +80 °C
Electrical Safety	
protection class IP on the front according to IEC 60529	IP20
touch protection on the front according to IEC 60529	finger-safe, for vertical contact from the front
Installation/ mounting/ dimensions	
height	39 mm
width	45 mm
depth	74 mm
suitability for use enables assembly of self-protected combination motor controllers (type E) acc. to UL 508 note	a construction with 3RV1915 bus bars is not possible
Connections/ Terminals	
type of electrical connection for main current circuit	screw-type terminals
type of connectable conductor cross-sections	
• for main contacts	
— solid	2x (1 ... 10 mm ²)
— stranded	2x (2.5 ... 16 mm ²), 1x (1.5 ... 25)
— finely stranded with core end processing	1x (1 ... 16 mm ²), 2x (1 ... 10 mm ²)
• for AWG cables for main contacts	1x (14 ... 3), 1x (16 ... 3), (14 ... 6), (16 ... 3)
connectable conductor cross-section for main contacts	
• solid or stranded	1 ... 10 mm ²
• stranded	1.5 ... 25 mm ²
• finely stranded with core end processing	1 ... 16 mm ²
AWG number as coded connectable conductor cross section for main contacts	16 ... 3

Approvals Certificates

General Product Approval



EG-Konf.



UL



Test Certificates

[Type Test Certificates/Test Report](#)

[Special Test Certificate](#)

Maritime application



ABS



BUREAU
VERITAS



DNV



LRS



PRS



RINA

other

[Miscellaneous](#)



[Confirmation](#)



VDE

Railway

[Special Test Certificate](#)

Environment

[Environmental Confirmations](#)

Further information

Information on the packaging

<https://support.industry.siemens.com/cs/ww/en/view/109813875>

Information for data generation and storage

<https://support.industry.siemens.com/cs/ww/en/view/109995012>

Information- and Downloadcenter (Catalogs, Brochures,...)

<https://www.siemens.com/ic10>

Industry Mall (Online ordering system)

<https://mall.industry.siemens.com/mall/en/en/Catalog/product?mlfb=3RV2928-1H>

Cax online generator

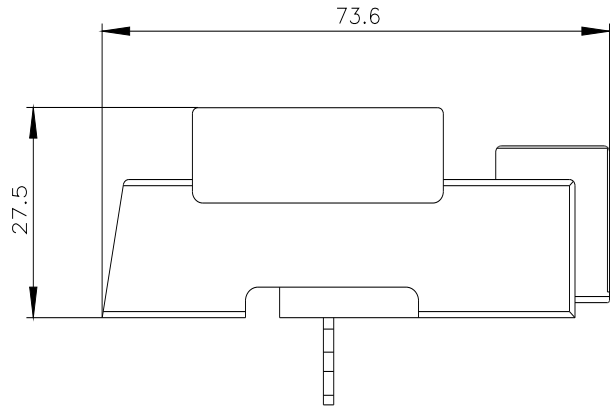
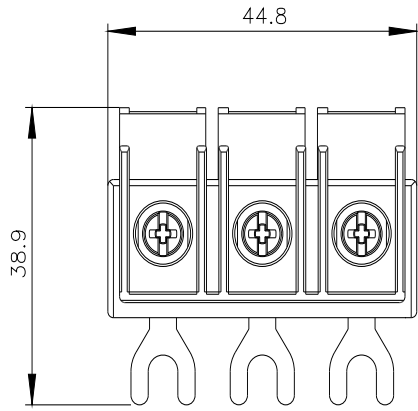
<https://support.automation.siemens.com/WW/CAXorder/default.aspx?lang=en&mlfb=3RV2928-1H>

Service&Support (Manuals, Certificates, Characteristics, FAQs,...)

<https://support.industry.siemens.com/cs/ww/en/ps/3RV2928-1H>

Image database (product images, 2D dimension drawings, 3D models, device circuit diagrams, EPLAN macros, ...)

https://www.automation.siemens.com/bilddb/cax_de.aspx?mlfb=3RV2928-1H&lang=en



last modified:

4/2/2025 