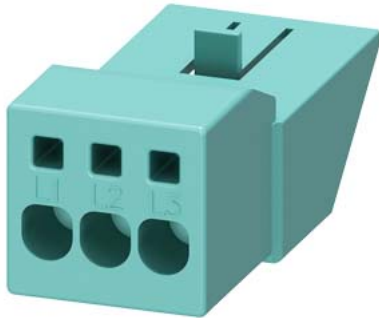


Terminal block Device infeed



product brand name	SIRIUS
product category	Plugs, adapters and terminals
product designation	Terminal block
design of the product	for power outlet
product type designation	3RV29
General technical data	
certificate of suitability	CE / UL / CSA / CCC
size of the circuit-breaker	S00, S0
power loss [W] for rated value of the current at AC in hot operating state per pole	1.27 W
type of calculation of power loss depending on pole	quadratic
insulation voltage with degree of pollution 3 at AC rated value	500 V
protection class IP on the front according to IEC 60529	IP20
thermal current	32 A
Substance Prohibition (Date)	03/01/2017
Weight	0.034 kg
number of poles for main current circuit	3
operating voltage at AC rated value	500 V
operational current rated value	32 A
ampacity maximum	32 A
UL/CSA ratings	
operating voltage at AC according to UL rated value	600 V
Ambient conditions	
ambient temperature	
• during operation	-20 ... +60 °C
• during storage	-50 ... +80 °C
Environmental footprint	
Environmental Product Declaration (EPD)	Yes
global warming potential [CO ₂ eq] total	9.06 kg
global warming potential [CO ₂ eq] during manufacturing	0.313 kg
global warming potential [CO ₂ eq] during operation	8.72 kg
global warming potential [CO ₂ eq] after end of life	0.022 kg
Electrical Safety	
protection class IP on the front according to IEC 60529	IP20
touch protection on the front according to IEC 60529	finger-safe, for vertical contact from the front
Installation/ mounting/ dimensions	
height	25 mm
width	26 mm
depth	60 mm
Connections/ Terminals	

type of electrical connection for main current circuit	spring-loaded terminals
type of connectable conductor cross-sections	
<ul style="list-style-type: none"> • for main contacts <ul style="list-style-type: none"> — solid — stranded — finely stranded with core end processing • for AWG cables for main contacts 	<ul style="list-style-type: none"> 1x (1 ... 10 mm²) 1x (1 ... 10 mm²) 1x (1 ... 6 mm²) 1x (18 ... 8)
connectable conductor cross-section for main contacts	
<ul style="list-style-type: none"> • solid or stranded • stranded • finely stranded with core end processing 	<ul style="list-style-type: none"> 1 ... 10 mm² 1 ... 10 mm² 1 ... 6 mm²
AWG number as coded connectable conductor cross section for main contacts	18 ... 8

Approvals Certificates

General Product Approval	Test Certificates	Maritime application
--------------------------	-------------------	----------------------



[Type Test Certificates/Test Report](#)



Maritime application	other
----------------------	-------



[Miscellaneous](#)



[Confirmation](#)



Environment



[Environmental Confirmations](#)

Further information

Information on the packaging

<https://support.industry.siemens.com/cs/ww/en/view/109813875>

Information for data generation and storage

<https://support.industry.siemens.com/cs/ww/en/view/109995012>

Information- and Downloadcenter (Catalogs, Brochures,...)

<https://www.siemens.com/ic10>

Industry Mall (Online ordering system)

<https://mall.industry.siemens.com/mall/en/en/Catalog/product?mlfb=3RV2917-5FA00>

Cax online generator

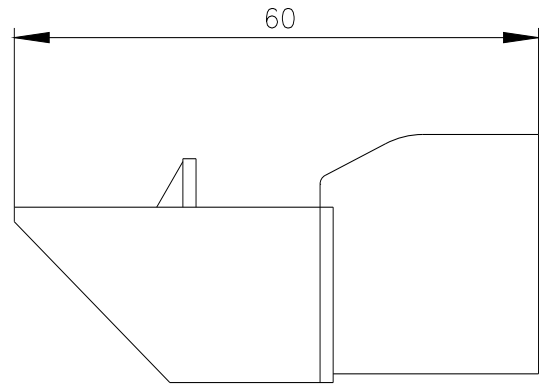
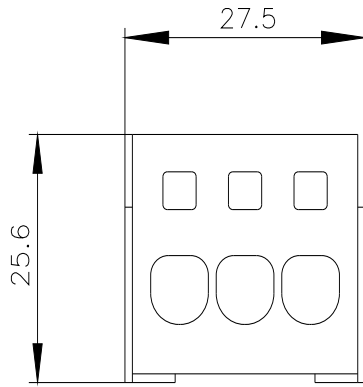
<https://support.automation.siemens.com/WW/CAXorder/default.aspx?lang=en&mlfb=3RV2917-5FA00>

Service&Support (Manuals, Certificates, Characteristics, FAQs,...)

<https://support.industry.siemens.com/cs/ww/en/ps/3RV2917-5FA00>

Image database (product images, 2D dimension drawings, 3D models, device circuit diagrams, EPLAN macros, ...)

https://www.automation.siemens.com/bilddb/cax_de.aspx?mlfb=3RV2917-5FA00&lang=en



last modified:

4/2/2025 