



cable connector for circuit breaker Size S0 with screw terminal (individual unit packaging)

product brand name	SIRIUS	
product category	Infeed systems	
product designation	Connection plug	
product type designation	3RV19	
suitability for use	circuit-breakers 3RV2	
<b>General technical data</b>		
size of the circuit-breaker	S0	
power loss [W] for rated value of the current at AC in hot operating state per pole	1.6 W	
type of calculation of power loss depending on pole	quadratic	
protection class IP on the front according to IEC 60529	IP20	
thermal current	32 A	
Substance Prohibance (Date)	07/01/2006	
Weight	0.045 kg	
number of poles for main current circuit	3	
operating voltage at AC rated value	690 V	
operational current rated value	32 A	
<b>UL/CSA ratings</b>		
operating voltage at AC according to UL rated value	600 V	
<b>Environmental footprint</b>		
Environmental Product Declaration (EPD)	Yes	
global warming potential [CO2 eq] total	9.06 kg	
global warming potential [CO2 eq] during manufacturing	0.313 kg	
global warming potential [CO2 eq] during operation	8.72 kg	
global warming potential [CO2 eq] after end of life	0.022 kg	
<b>Electrical Safety</b>		
protection class IP on the front according to IEC 60529	IP20	
touch protection on the front according to IEC 60529	finger-safe, for vertical contact from the front	
<b>Short-circuit protection</b>		
short-circuit rating	see table in the operating instructions	
<b>Connections/ Terminals</b>		
type of electrical connection for main current circuit	plug-in without terminals	
<b>Approvals Certificates</b>		
General Product Approval	Test Certificates	Maritime application



[Special Test Certificate](#)



Maritime application

other



other

Railway

Environment

[Confirmation](#)

[Miscellaneous](#)



[Special Test Certificate](#)



[Environmental Confirmations](#)

### Further information

#### Information on the packaging

<https://support.industry.siemens.com/cs/ww/en/view/109813875>

#### Information for data generation and storage

<https://support.industry.siemens.com/cs/ww/en/view/109995012>

#### Information- and Downloadcenter (Catalogs, Brochures,...)

<https://www.siemens.com/ic10>

#### Industry Mall (Online ordering system)

<https://mall.industry.siemens.com/mall/en/en/Catalog/product?mlfb=3RV1927-5AA00>

#### Cax online generator

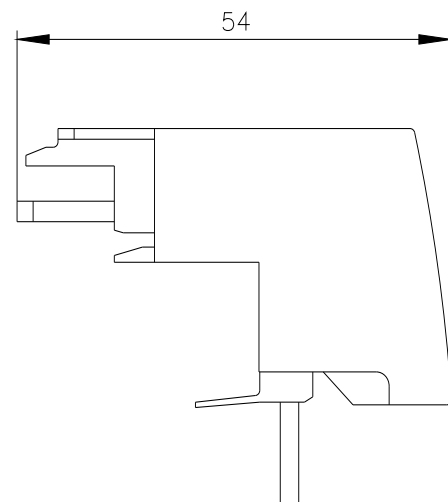
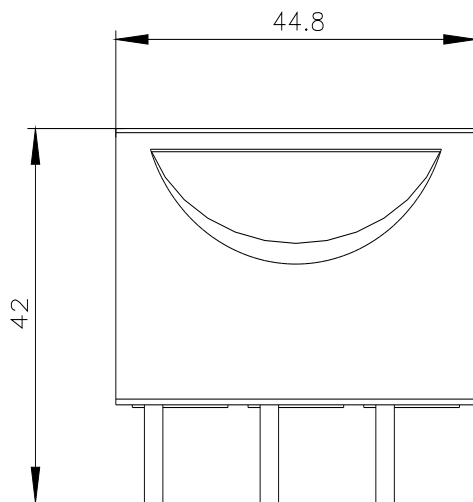
<https://support.automation.siemens.com/WW/CAXorder/default.aspx?lang=en&mlfb=3RV1927-5AA00>

#### Service&Support (Manuals, Certificates, Characteristics, FAQs,...)

<https://support.industry.siemens.com/cs/ww/en/ps/3RV1927-5AA00>

#### Image database (product images, 2D dimension drawings, 3D models, device circuit diagrams, EPLAN macros, ...)

[https://www.automation.siemens.com/bilddb/cax\\_de.aspx?mlfb=3RV1927-5AA00&lang=en](https://www.automation.siemens.com/bilddb/cax_de.aspx?mlfb=3RV1927-5AA00&lang=en)



last modified:

10/18/2025