



molded-plastic enclosure for surface mounting with EMERGENCY OFF rotary operating mechanism 54 mm, with metric cable bushing, no UL/CSA approval

product brand name	SIRIUS
product category	Enclosure
product designation	Molded-plastic enclosure for surface mounting
design of the product	Assembly
product type designation	3RV19

General technical data	
product function EMERGENCY OFF function	Yes
protection class IP of the enclosure	IP55
Substance Prohibittance (Date)	07/01/2006
Weight	0.323 kg
material of the enclosure	plastic

Installation/ mounting/ dimensions	
height	155 mm
width	85 mm
depth	126 mm

Approvals Certificates		
General Product Approval	Test Certificates	Maritime application



[Special Test Certificate](#)



other	Railway	Environment
-------	---------	-------------



[Miscellaneous](#)

[Confirmation](#)

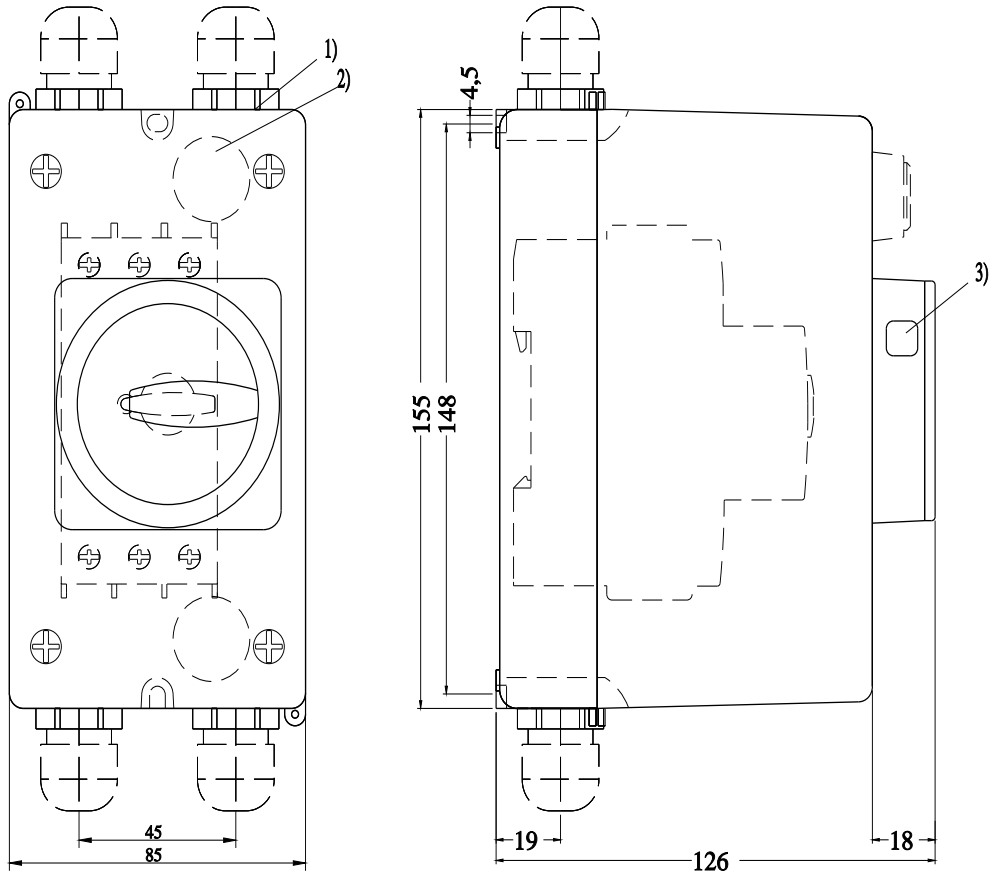


[Special Test Certificate](#)

[Environmental Confirmations](#)

### Further information

Information on the packaging  
<https://support.industry.siemens.com/cs/ww/en/view/109813875>  
 Information for data generation and storage  
<https://support.industry.siemens.com/cs/ww/en/view/109995012>  
 Information- and Downloadcenter (Catalogs, Brochures,...)  
<https://www.siemens.com/ic10>  
 Industry Mall (Online ordering system)  
<https://mall.industry.siemens.com/mall/en/en/Catalog/product?mlfb=3RV1923-1FA00>  
 Cax online generator  
<https://support.automation.siemens.com/WW/CAXorder/default.aspx?lang=en&mlfb=3RV1923-1FA00>  
 Service&Support (Manuals, Certificates, Characteristics, FAQs,...)



- 1) Ausbrechoeffnung fuer Verschraubung M25
- 2) Ausbrechoeffnung fuer rueckseitige Leitungseinfuehrung
- 3) Oeffnung fuer Vorhaengeschluss mit Buegeldurchmesser max. 8 mm

last modified:

10/18/2025