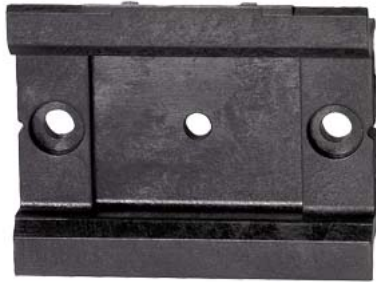


Mounting rail 45 mm for mounting on 3-phase busbars 3RV2917-1/4



product brand name	SIRIUS
product category	Infeed systems
product designation	Mounting rail
product type designation	3RV19
suitability for use	circuit-breakers 3RV2

General technical data	
size of the circuit-breaker	S00, S0
Substance Prohibitance (Date)	07/01/2006
Weight	0.015 kg

Short-circuit protection	
short-circuit rating	see table in the operating instructions

Installation/ mounting/ dimensions	
fastening method	screw fixing

Approvals Certificates		
General Product Approval	Test Certificates	Maritime application



[Special Test Certificate](#)



Maritime application	
Maritime application	other



[Confirmation](#)



Environment	
-------------	--

[Environmental Confirmations](#)

Further information	
---------------------	--

Information on the packaging
<https://support.industry.siemens.com/cs/ww/en/view/109813875>
 Information for data generation and storage
<https://support.industry.siemens.com/cs/ww/en/view/109995012>

Information- and Downloadcenter (Catalogs, Brochures,...)

<https://www.siemens.com/ic10>

Industry Mall (Online ordering system)

<https://mall.industry.siemens.com/mall/en/en/Catalog/product?mlfb=3RV1917-7B>

Cax online generator

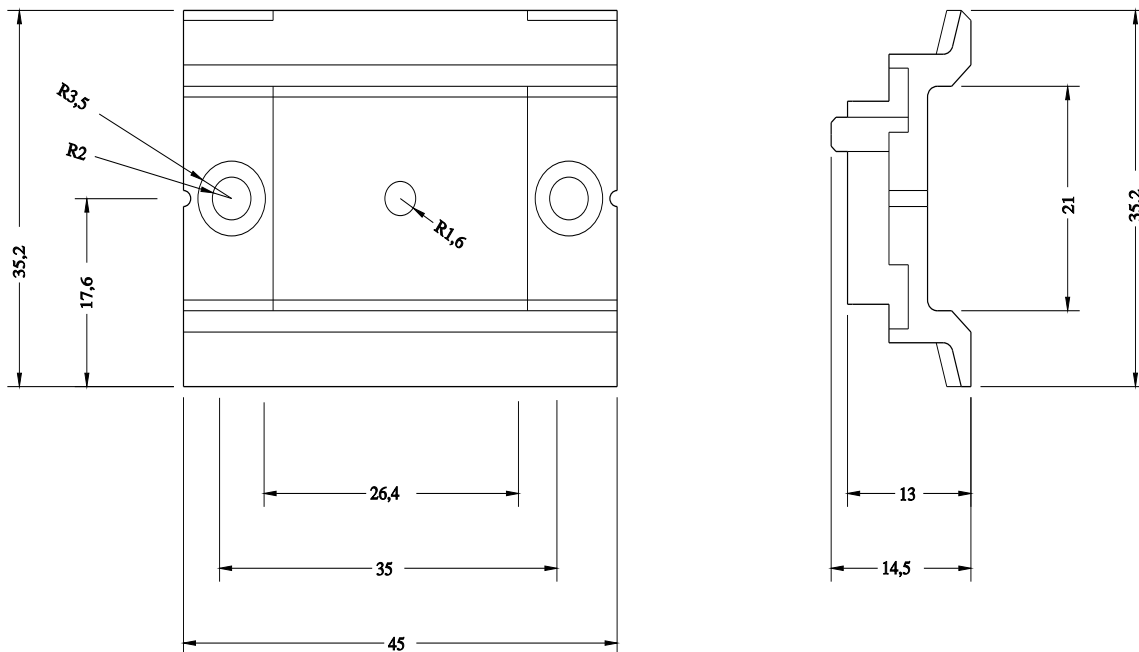
<https://support.automation.siemens.com/WW/CAXorder/default.aspx?lang=en&mlfb=3RV1917-7B>

Service&Support (Manuals, Certificates, Characteristics, FAQs,...)

<https://support.industry.siemens.com/cs/ww/en/ps/3RV1917-7B>

Image database (product images, 2D dimension drawings, 3D models, device circuit diagrams, EPLAN macros, ...)

https://www.automation.siemens.com/bilddb/cax_de.aspx?mlfb=3RV1917-7B&lang=en



last modified:

10/18/2025 