



Molded-plastic enclosure for surface mounting Degree of protection IP55 with N and PE terminal 72 mm with metric cable gland No UL/CSA approval

product brand name	SIRIUS
product category	Enclosure
product designation	Molded-plastic enclosure for surface mounting
design of the product	Assembly
product type designation	3RV19

General technical data	
product function EMERGENCY OFF function	No
protection class IP of the enclosure	IP55
Substance Prohibittance (Date)	07/01/2006
Weight	0.33 kg
material of the enclosure	plastic

Installation/ mounting/ dimensions	
height	155 mm
width	105 mm
depth	89 mm

Approvals Certificates		
General Product Approval	Test Certificates	Maritime application



[Special Test Certificate](#)

[Type Test Certificates/Test Report](#)



Maritime application	other
----------------------	-------



[Miscellaneous](#)

other	Railway	Environment
-------	---------	-------------

[Confirmation](#)



[Special Test Certificate](#)

[Environmental Confirmations](#)

Further information

Information on the packaging

<https://support.industry.siemens.com/cs/ww/en/view/109813875>

Information for data generation and storage

<https://support.industry.siemens.com/cs/ww/en/view/109995012>

Information- and Downloadcenter (Catalogs, Brochures,...)

<https://www.siemens.com/ic10>

Industry Mall (Online ordering system)

<https://mall.industry.siemens.com/mall/en/en/Catalog/product?mlfb=3RV1913-1DA00>

Cax online generator

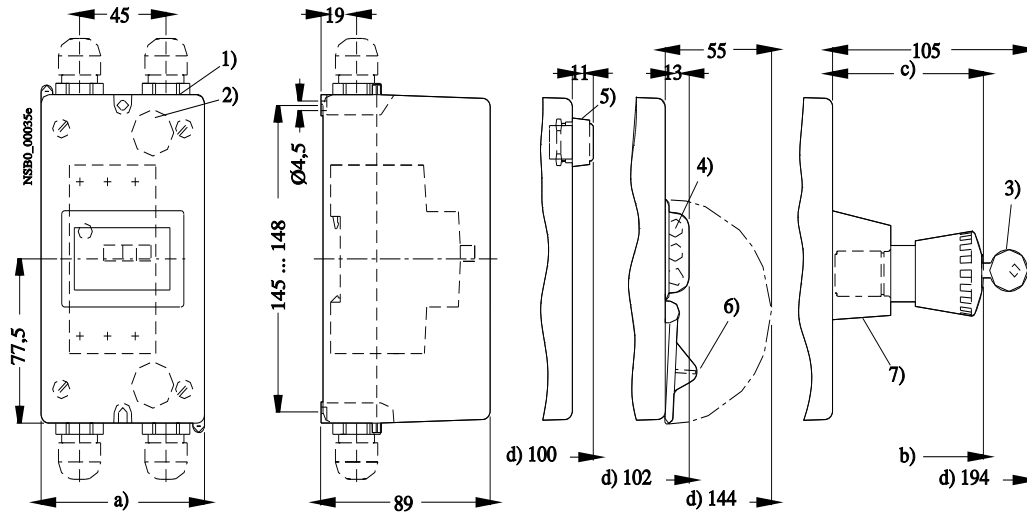
<https://support.automation.siemens.com/WW/CAXorder/default.aspx?lang=en&mlfb=3RV1913-1DA00>

Service&Support (Manuals, Certificates, Characteristics, FAQs,...)

<https://support.industry.siemens.com/cs/ww/en/ps/3RV1913-1DA00>

Image database (product images, 2D dimension drawings, 3D models, device circuit diagrams, EPLAN macros, ...)

https://www.automation.siemens.com/bilddb/cax_de.aspx?mlfb=3RV1913-1DA00&lang=en



- 1) Knock-outs for M25 cable glands.
- 2) Knock-outs for rear cable entry M20.
- 3) With safety lock.
- 4) Max. shackle diameter for padlock 8 mm.
- 5) 3RV19 03-5 indicator light.
- 6) 3RV19 13-6B locking device.
- 7) 3RV19 13-7 EMERGENCY-STOP mushroom button.

- a) 3RV19 13-1CA00: 85 mm,
3RV19 13-1DA00: 105 mm.
- b) With EMERGENCY-STOP mushroom button:
- 3RV19 13-7D: 153 mm,
- 3RV19 13-7E: 173 mm.
Dimensions refer to mounting surface.
- b) With EMERGENCY-STOP mushroom button:
- 3RV19 13-7D: 64 mm,
- 3RV19 13-7E: 84 mm.
- d) Dimensions refer to mounting surface.

last modified:

10/18/2025