

coil connection module connection from below, screw terminal, for contactors 3RT2.2, 3RT2.3, and 3RT2.4

product brand name	SIRIUS
product category	Coil connection modules
product designation	Coil connection module
product type designation	3RT29

**General technical data**

Substance Prohibittance (Date)	10/01/2009
Weight	0.026 kg

**Environmental footprint**

Environmental Product Declaration(EPD)	Yes
global warming potential [CO2 eq] total	7.04 kg
global warming potential [CO2 eq] during manufacturing	0.089 kg
global warming potential [CO2 eq] during operation	6.96 kg
global warming potential [CO2 eq] after end of life	-0.0061 kg

**Connections/ Terminals**

type of electrical connection	screw terminal
-------------------------------	----------------

**Approvals Certificates**

General Product Approval	EMV	Test Certificates
--------------------------	-----	-------------------



[Type Test Certificates/Test Report](#)

**Test Certificates Maritime application**

[Special Test Certificate](#)



**other Railway Environment**

[Miscellaneous](#)



[Confirmation](#)

[Special Test Certificate](#)



[Environmental Confirmations](#)

**Further information**

Information on the packaging

<https://support.industry.siemens.com/cs/ww/en/view/109813875>

Information for data generation and storage

<https://support.industry.siemens.com/cs/ww/en/view/109995012>

Information- and Downloadcenter (Catalogs, Brochures,...)

<https://www.siemens.com/ic10>

Industry Mall (Online ordering system)

<https://mall.industry.siemens.com/mall/en/en/Catalog/product?mlfb=3RT2926-4RB11>

Cax online generator

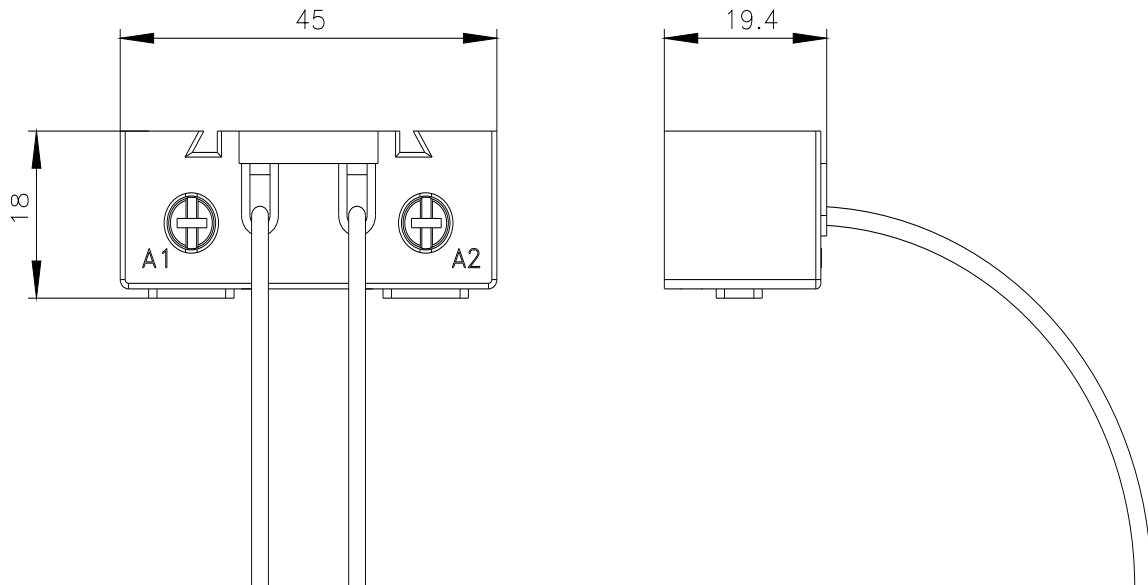
<https://support.automation.siemens.com/WW/CAXorder/default.aspx?lang=en&mlfb=3RT2926-4RB11>

Service&Support (Manuals, Certificates, Characteristics, FAQs,...)

<https://support.industry.siemens.com/cs/ww/en/ps/3RT2926-4RB11>

Image database (product images, 2D dimension drawings, 3D models, device circuit diagrams, EPLAN macros, ...)

[https://www.automation.siemens.com/bilddb/cax\\_de.aspx?mlfb=3RT2926-4RB11&lang=en](https://www.automation.siemens.com/bilddb/cax_de.aspx?mlfb=3RT2926-4RB11&lang=en)



last modified:

4/2/2025 