

parallel connector, 3-pole, with terminal, for contactors 3RT202.-1.... with screw terminal

product brand name	SIRIUS
product category	Terminals
product designation	Link for paralleling
product type designation	3RT29

General technical data

Substance Prohibitation (Date)	10/01/2009
Weight	0.043 kg

Environmental footprint


Environmental Product Declaration (EPD)	Yes
global warming potential [CO2 eq] total	7.04 kg
global warming potential [CO2 eq] during manufacturing	0.089 kg
global warming potential [CO2 eq] during operation	6.96 kg
global warming potential [CO2 eq] after end of life	-0.0061 kg

Approvals Certificates

General Product Approval	EMV	Test Certificates
 EG-Konf.   UL   RCM		Type Test Certificates/Test Report

Maritime application other

   	Miscellaneous	
---	-------------------------------	---

other	Railway	Environment
Confirmation	Special Test Certificate	
		Environmental Confirmations

Further information

Information on the packaging
<https://support.industry.siemens.com/cs/ww/en/view/109813875>
 Information for data generation and storage
<https://support.industry.siemens.com/cs/ww/en/view/109995012>

Information- and Downloadcenter (Catalogs, Brochures,...)

<https://www.siemens.com/ic10>

Industry Mall (Online ordering system)

<https://mall.industry.siemens.com/mall/en/en/Catalog/product?mlfb=3RT2926-4BB31>

Cax online generator

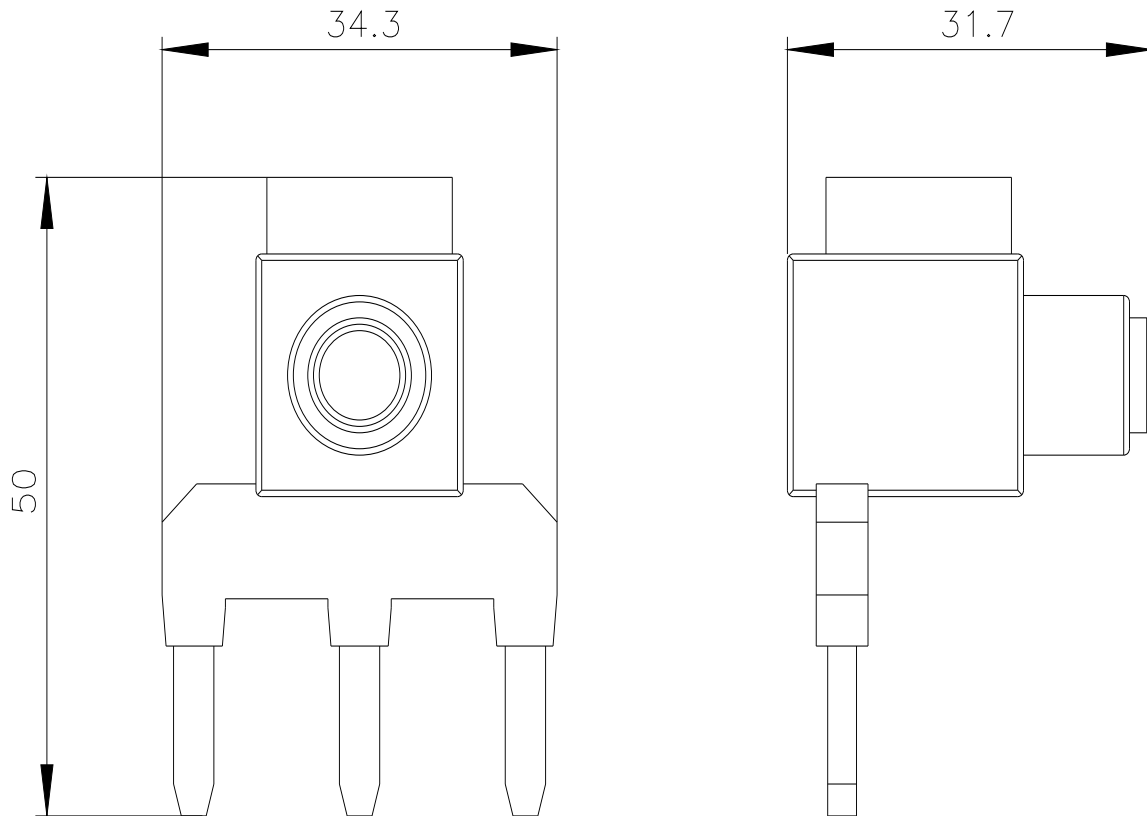
<https://support.automation.siemens.com/WW/CAXorder/default.aspx?lang=en&mlfb=3RT2926-4BB31>

Service&Support (Manuals, Certificates, Characteristics, FAQs,...)

<https://support.industry.siemens.com/cs/ww/en/ps/3RT2926-4BB31>

Image database (product images, 2D dimension drawings, 3D models, device circuit diagrams, EPLAN macros, ...)

https://www.automation.siemens.com/bilddb/cax_de.aspx?mlfb=3RT2926-4BB31&lang=en



last modified:

10/18/2025 