

insulating stop line for 5 terminal pairs individually separable, for each contactor 2 lines required, for contactors 3RT2.1 and auxiliary contactors 3RH2, (1 pack = 20 lines)



product brand name	SIRIUS
product category	Miscellaneous accessories
product designation	Insulation stop
product type designation	3RT29

General technical data

Substance Prohibittance (Date)	10/01/2009
Weight	0.57 g

Environmental footprint

Environmental Product Declaration (EPD)	Yes
global warming potential [CO2 eq] total	7.04 kg
global warming potential [CO2 eq] during manufacturing	0.089 kg
global warming potential [CO2 eq] during operation	6.96 kg
global warming potential [CO2 eq] after end of life	-0.0061 kg

Approvals Certificates

General Product Approval	EMV	Maritime application
--------------------------	-----	----------------------



Maritime application	other	Environment
----------------------	-------	-------------



[Confirmation](#)

[Miscellaneous](#)



Environment

[Environmental Confirmations](#)

Further information

Information on the packaging
<https://support.industry.siemens.com/cs/ww/en/view/109813875>
 Information for data generation and storage
<https://support.industry.siemens.com/cs/ww/en/view/109995012>
 Information- and Downloadcenter (Catalogs, Brochures,...)

<https://www.siemens.com/ic10>

Industry Mall (Online ordering system)

<https://mall.industry.siemens.com/mall/en/en/Catalog/product?mlfb=3RT2916-4JA02>

Cax online generator

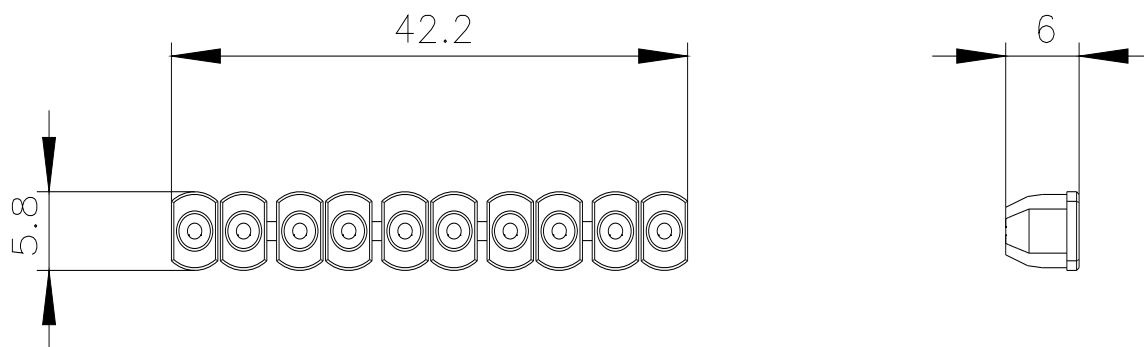
<https://support.automation.siemens.com/WW/CAXorder/default.aspx?lang=en&mlfb=3RT2916-4JA02>

Service&Support (Manuals, Certificates, Characteristics, FAQs,...)

<https://support.industry.siemens.com/cs/ww/en/ps/3RT2916-4JA02>

Image database (product images, 2D dimension drawings, 3D models, device circuit diagrams, EPLAN macros, ...)

https://www.automation.siemens.com/bilddb/cax_de.aspx?mlfb=3RT2916-4JA02&lang=en



last modified:

4/2/2025 