



capacitor contactor, AC-6b 16.7 kVA<sub>r</sub>, / 400 V, 3-pole, 95-130 V AC/DC, 50/60 Hz, with integrated varistor, auxiliary contacts: 1 NO + 2 NC, screw terminal, size: S0

product brand name	SIRIUS
product designation	capacitor contactors
product type designation	3RT26
<b>General technical data</b>	
size of contactor	S0
product extension auxiliary switch	No
power loss [W] for rated value of the current	
• at AC in hot operating state per pole	0.9 W
• without load current share typical	1.4 W
type of calculation of power loss depending on pole	quadratic
insulation voltage	
• of main circuit with degree of pollution 3 rated value	690 V
• of auxiliary circuit with degree of pollution 3 rated value	690 V
surge voltage resistance	
• of main circuit rated value	6 kV
• of auxiliary circuit rated value	6 kV
maximum permissible voltage for protective separation between coil and main contacts according to EN 60947-1	400 V
shock resistance at rectangular impulse	
• at AC	7,5g / 5 ms, 4,7g / 10 ms
• at DC	10g / 5 ms, 7,5g / 10 ms
shock resistance with sine pulse	
• at AC	11,8g / 5 ms, 7,4g / 10 ms
• at DC	15g / 5 ms, 10g / 10 ms
mechanical service life (operating cycles)	
• of the contactor with added auxiliary switch block typical	3 000 000
electrical endurance (operating cycles)	200 000
reference code according to IEC 81346-2	Q
Substance Prohibitance (Date)	05/01/2014
SVHC substance name	Lead - 7439-92-1 Lead monoxide (lead oxide) - 1317-36-8
Weight	0.672 kg
<b>Ambient conditions</b>	
installation altitude at height above sea level maximum	2 000 m
ambient temperature	
• during operation	-25 ... +60 °C
• during storage	-55 ... +80 °C
relative humidity minimum	10 %
relative humidity at 55 °C according to IEC 60068-2-30 maximum	95 %
<b>Environmental footprint</b>	

Environmental Product Declaration(EPD)	Yes
global warming potential [CO2 eq] total	106 kg
global warming potential [CO2 eq] during manufacturing	2.47 kg
global warming potential [CO2 eq] during operation	104 kg
global warming potential [CO2 eq] after end of life	-0.226 kg

### Main circuit

<b>number of poles for main current circuit</b>	3
<b>number of NO contacts for main contacts</b>	3
<b>number of NC contacts for main contacts</b>	0
operational current at AC-6b at 690 V at ambient temperature 60 °C rated value	24 A
<b>operating reactive power at AC-6b</b>	
• at 230 V at 50/60 Hz at ambient temperature 60 °C rated value	3 ... 9.6 kvar
• at 400 V at 50/60 Hz at ambient temperature 60 °C rated value	6 ... 16.7 kvar
• at 500 V at 50/60 Hz at ambient temperature 60 °C rated value	7 ... 21 kvar
• at 690 V at 50/60 Hz at ambient temperature 60 °C rated value	10 ... 29 kvar
<b>no-load switching frequency</b>	
• at AC	500 1/h
• at DC	500 1/h
<b>operating frequency at AC-6b</b>	
• at 230 V maximum	180 1/h
• at 240 V maximum	180 1/h
• at 400 V maximum	180 1/h
• at 480 V maximum	180 1/h
• at 500 V maximum	180 1/h
• at 600 V maximum	180 1/h
• at 690 V maximum	150 1/h

### Control circuit/ Control

<b>type of voltage</b>	AC/DC
<b>type of voltage of the control supply voltage</b>	AC/DC
<b>control supply voltage at AC</b>	
• at 50 Hz rated value	95 ... 130 V
• at 60 Hz rated value	95 ... 130 V
<b>control supply voltage frequency</b>	
• 1 rated value	50 Hz
• 2 rated value	60 Hz
<b>control supply voltage at DC rated value</b>	95 ... 130 V
<b>operating range factor control supply voltage rated value of magnet coil at DC</b>	
• initial value	0.7
• full-scale value	1.3
<b>operating range factor control supply voltage rated value of magnet coil at AC</b>	
• at 50 Hz	0.7 ... 1.3
• at 60 Hz	0.7 ... 1.3
<b>inrush current peak</b>	15 A
<b>duration of inrush current peak</b>	30 µs
<b>locked-rotor current mean value</b>	0.13 A
<b>locked-rotor current peak</b>	0.19 A
<b>duration of locked-rotor current</b>	180 ms
<b>holding current mean value</b>	19 mA
<b>apparent pick-up power of magnet coil at AC</b>	12 VA
<b>inductive power factor with closing power of the coil</b>	0.98
<b>apparent holding power of magnet coil at AC</b>	1.8 VA
<b>inductive power factor with the holding power of the coil</b>	0.79
<b>closing power of magnet coil at DC</b>	10.2 W
<b>holding power of magnet coil at DC</b>	1.3 W
<b>closing delay</b>	
• at AC	50 ... 80 ms

<ul style="list-style-type: none"> <li>• at DC</li> </ul>	50 ... 80 ms
<b>opening delay</b>	
<ul style="list-style-type: none"> <li>• at AC</li> </ul>	30 ... 50 ms
<ul style="list-style-type: none"> <li>• at DC</li> </ul>	30 ... 50 ms
<b>arcing time</b>	10 ... 10 ms
<b>control version of the switch operating mechanism</b>	Standard A1 - A2
<b>residual current of the electronics for control with signal &lt;0&gt;</b>	
<ul style="list-style-type: none"> <li>• at AC at 230 V maximum permissible</li> </ul>	7 mA

#### Auxiliary circuit

<b>number of NC contacts for auxiliary contacts</b>	2
<ul style="list-style-type: none"> <li>• attachable</li> </ul>	0
<ul style="list-style-type: none"> <li>• instantaneous contact</li> </ul>	2
<b>number of NO contacts for auxiliary contacts</b>	1
<ul style="list-style-type: none"> <li>• attachable</li> </ul>	0
<ul style="list-style-type: none"> <li>• instantaneous contact</li> </ul>	1
<b>operational current of auxiliary contacts at AC-12 maximum</b>	10 A
<b>operational current of auxiliary contacts at AC-15</b>	
<ul style="list-style-type: none"> <li>• at 230 V</li> </ul>	6 A
<ul style="list-style-type: none"> <li>• at 400 V</li> </ul>	3 A
<ul style="list-style-type: none"> <li>• at 690 V</li> </ul>	1 A
<b>operational current of auxiliary contacts at DC-13</b>	
<ul style="list-style-type: none"> <li>• at 24 V</li> </ul>	6 A
<ul style="list-style-type: none"> <li>• at 60 V</li> </ul>	2 A
<ul style="list-style-type: none"> <li>• at 110 V</li> </ul>	1 A
<ul style="list-style-type: none"> <li>• at 125 V</li> </ul>	0.9 A
<ul style="list-style-type: none"> <li>• at 220 V</li> </ul>	0.3 A
<b>contact reliability of auxiliary contacts</b>	0.00000001

#### UL/CSA ratings

<b>contact rating of auxiliary contacts according to UL</b>	A600 / Q600
<b>Category Control Number (CCN)</b>	E31519 (NLDX, NLDX7)

#### Short-circuit protection

design of the miniature circuit breaker for short-circuit protection of the auxiliary circuit up to 230 V	C characteristic: 10 A; 0.4 kA
<b>design of the fuse link</b>	
<ul style="list-style-type: none"> <li>• for short-circuit protection of the main circuit with type of coordination 1 required</li> </ul>	gG: 50 A (690 V, 50 kA)
<ul style="list-style-type: none"> <li>• for short-circuit protection of the auxiliary switch required</li> </ul>	gG: 10 A (690 V, 1 kA)

#### Installation/ mounting/ dimensions

<b>mounting position</b>	+/-180° rotation possible on vertical mounting surface; can be tilted forward and backward by +/- 22.5° on vertical mounting surface
<b>fastening method</b>	screw and snap-on mounting onto 35 mm DIN rail according to DIN EN 50022
<b>height</b>	135 mm
<b>width</b>	45 mm
<b>depth</b>	165 mm
<b>required spacing</b>	
<ul style="list-style-type: none"> <li>• with side-by-side mounting at the side</li> </ul>	10 mm
<ul style="list-style-type: none"> <li>• for grounded parts at the side</li> </ul>	10 mm

#### Connections/ Terminals

<b>type of electrical connection</b>	
<ul style="list-style-type: none"> <li>• for main current circuit</li> </ul>	screw-type terminals
<ul style="list-style-type: none"> <li>• for auxiliary and control circuit</li> </ul>	screw-type terminals
<ul style="list-style-type: none"> <li>• at contactor for auxiliary contacts</li> </ul>	Screw-type terminals
<ul style="list-style-type: none"> <li>• of magnet coil</li> </ul>	Screw-type terminals
type of connectable conductor cross-sections for main contacts	
<ul style="list-style-type: none"> <li>• solid</li> </ul>	2x (1 ... 2.5 mm <sup>2</sup> ), 2x (2.5 ... 10 mm <sup>2</sup> )
<ul style="list-style-type: none"> <li>• stranded</li> </ul>	2x (1 ... 2.5 mm <sup>2</sup> ), 2x (2.5 ... 10 mm <sup>2</sup> )
<ul style="list-style-type: none"> <li>• solid or stranded</li> </ul>	2x (1 ... 2.5 mm <sup>2</sup> ), 2x (2.5 ... 10 mm <sup>2</sup> )
<ul style="list-style-type: none"> <li>• finely stranded with core end processing</li> </ul>	2x (1 ... 2.5 mm <sup>2</sup> ), 2x (2.5 ... 6 mm <sup>2</sup> ), 1x 10 mm <sup>2</sup>
<b>type of connectable conductor cross-sections</b>	
<ul style="list-style-type: none"> <li>• for auxiliary contacts</li> </ul>	
— solid	2x (0.5 ... 1.5 mm <sup>2</sup> ), 2x (0.75 ... 2.5 mm <sup>2</sup> ), 2x 4 mm <sup>2</sup>

— solid or stranded	2x (0.5 ... 1.5 mm <sup>2</sup> ), 2x (0.75 ... 2.5 mm <sup>2</sup> ), 2x 4 mm <sup>2</sup>
— finely stranded with core end processing	2x (0.5 ... 1.5 mm <sup>2</sup> ), 2x (0.75 ... 2.5 mm <sup>2</sup> )
• for AWG cables for auxiliary contacts	2x (20 ... 16), 2x (18 ... 14), 2x 12
<b>type of minimum connectable cross-sections for main contacts at AC-6b</b>	
• at 40 °C	1x 6 mm <sup>2</sup>
• at 60 °C	1x 10 mm <sup>2</sup> , 2x 6 mm <sup>2</sup>
<b>AWG number as coded connectable conductor cross section for main contacts</b>	16 ... 8

### Safety related data

<b>product function</b>	
• mirror contact according to IEC 60947-4-1	No
• positively driven operation according to IEC 60947-5-1	No

### Electrical Safety

<b>protection class IP on the front according to IEC 60529</b>	IP20
<b>touch protection on the front according to IEC 60529</b>	finger-safe, for vertical contact from the front

### Approvals Certificates

<b>General Product Approval</b>	EMV
---------------------------------	-----



<b>Test Certificates</b>	<b>Maritime application</b>	<b>other</b>
--------------------------	-----------------------------	--------------

[Type Test Certificates/Test Report](#)



[Miscellaneous](#)



<b>other</b>	<b>Dangerous goods</b>	<b>Environment</b>
--------------	------------------------	--------------------

[Confirmation](#)

[Transport Information](#)



[Environmental Confirmations](#)

### Further information

Information on the packaging

<https://support.industry.siemens.com/cs/ww/en/view/109813875>

Information for data generation and storage

<https://support.industry.siemens.com/cs/ww/en/view/109995012>

Information- and Downloadcenter (Catalogs, Brochures,...)

<https://www.siemens.com/ic10>

Industry Mall (Online ordering system)

<https://mall.industry.siemens.com/mall/en/en/Catalog/product?mlfb=3RT2625-1NF35>

Cax online generator

<https://support.automation.siemens.com/WW/CAXorder/default.aspx?lang=en&mlfb=3RT2625-1NF35>

Service&Support (Manuals, Certificates, Characteristics, FAQs,...)

<https://support.industry.siemens.com/cs/ww/en/ps/3RT2625-1NF35>

Image database (product images, 2D dimension drawings, 3D models, device circuit diagrams, EPLAN macros, ...)

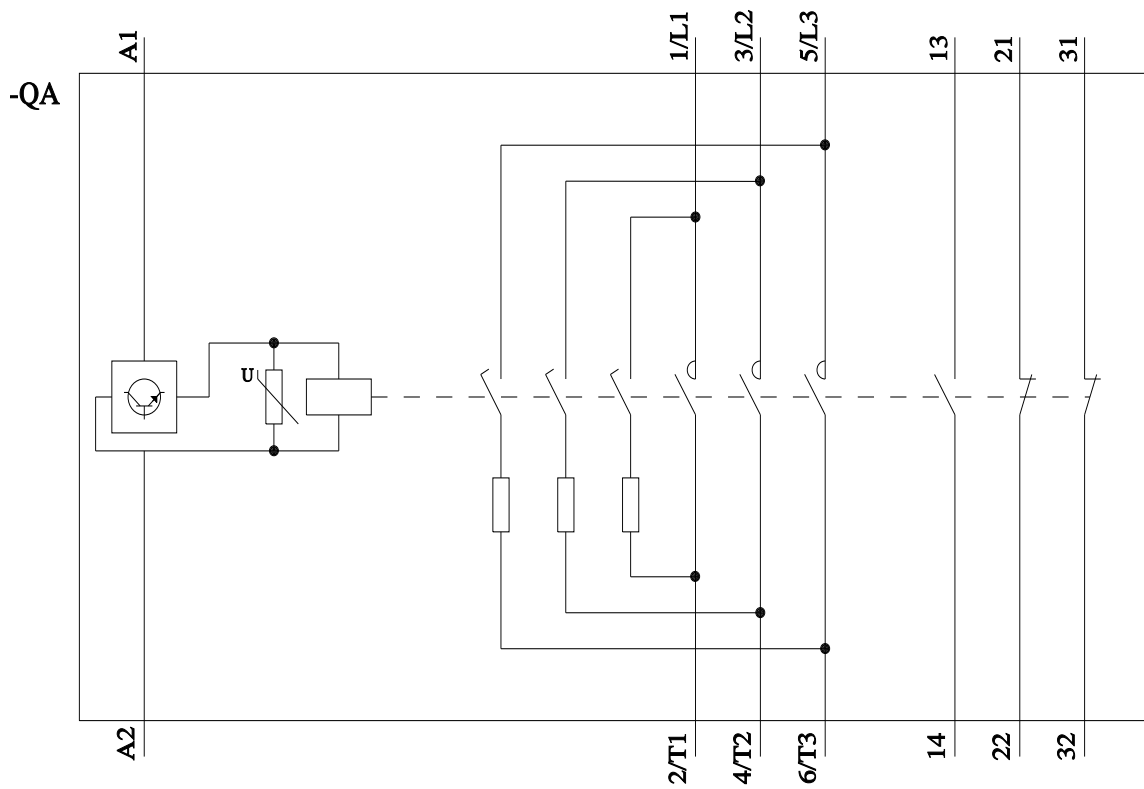
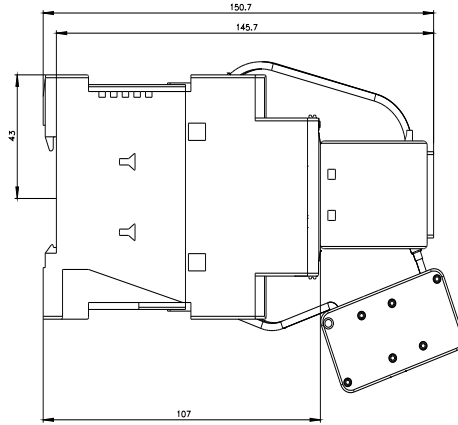
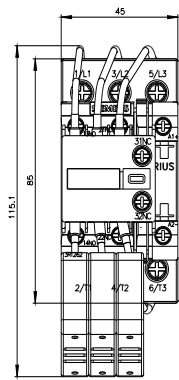
[https://www.automation.siemens.com/bilddb/cax\\_de.aspx?mlfb=3RT2625-1NF35&lang=en](https://www.automation.siemens.com/bilddb/cax_de.aspx?mlfb=3RT2625-1NF35&lang=en)

Characteristic: Tripping characteristics, I<sup>t</sup>, Let-through current

<https://support.industry.siemens.com/cs/ww/en/ps/3RT2625-1NF35/char>

Further characteristics (e.g. electrical endurance, switching frequency)

<https://www.automation.siemens.com/bilddb/index.aspx?view=Search&mlfb=3RT2625-1NF35&objecttype=14&gridview=view1>



last modified:

11/13/2025

