









capacitor contactor, AC-6b 12.5 kVA_r, / 400 V, 3-pole, 110 V DC, auxiliary contacts: 1 NO + 1 NC, screw terminal, size: S00

product brand name	SIRIUS
product designation	capacitor contactors
product type designation	3RT26
General technical data	
size of contactor	S00
product extension auxiliary switch	No
power loss [W] for rated value of the current	
• at AC in hot operating state per pole	1.24 W
• without load current share typical	4 W
type of calculation of power loss depending on pole	quadratic
insulation voltage	
• of main circuit with degree of pollution 3 rated value	690 V
• of auxiliary circuit with degree of pollution 3 rated value	690 V
surge voltage resistance	
• of main circuit rated value	6 kV
• of auxiliary circuit rated value	6 kV
maximum permissible voltage for protective separation between coil and main contacts according to EN 60947-1	400 V
shock resistance at rectangular impulse	
• at DC	6,7g / 5 ms, 4,2g / 10 ms
shock resistance with sine pulse	
• at DC	10,5g / 5 ms, 6,6g / 10 ms
mechanical service life (operating cycles)	
• of the contactor with added auxiliary switch block typical	3 000 000
electrical endurance (operating cycles)	300 000
reference code according to IEC 81346-2	Q
Substance Prohibitance (Date)	05/01/2014
Weight	0.415 kg
Ambient conditions	
installation altitude at height above sea level maximum	2 000 m
ambient temperature	
• during operation	-25 ... +60 °C
• during storage	-55 ... +80 °C
relative humidity minimum	10 %
relative humidity at 55 °C according to IEC 60068-2-30 maximum	95 %
Environmental footprint	
Environmental Product Declaration (EPD)	Yes
global warming potential [CO ₂ eq] total	106 kg
global warming potential [CO ₂ eq] during manufacturing	2.47 kg
global warming potential [CO ₂ eq] during operation	104 kg

global warming potential [CO2 eq] after end of life	-0.226 kg
Main circuit	
number of poles for main current circuit	3
number of NO contacts for main contacts	3
number of NC contacts for main contacts	0
operational current at AC-6b at 690 V at ambient temperature 60 °C rated value	18 A
operating reactive power at AC-6b	
• at 230 V at 50/60 Hz at ambient temperature 60 °C rated value	0 ... 7.2 kvar
• at 400 V at 50/60 Hz at ambient temperature 60 °C rated value	0 ... 12.5 kvar
• at 500 V at 50/60 Hz at ambient temperature 60 °C rated value	0 ... 15 kvar
• at 690 V at 50/60 Hz at ambient temperature 60 °C rated value	0 ... 21 kvar
no-load switching frequency	
• at DC	500 1/h
operating frequency at AC-6b	
• at 230 V maximum	180 1/h
• at 240 V maximum	180 1/h
• at 400 V maximum	180 1/h
• at 480 V maximum	180 1/h
• at 500 V maximum	180 1/h
• at 600 V maximum	180 1/h
• at 690 V maximum	180 1/h
Control circuit/ Control	
type of voltage	DC
type of voltage of the control supply voltage	DC
control supply voltage at DC rated value	110 V
operating range factor control supply voltage rated value of magnet coil at DC	
• initial value	0.85
• full-scale value	1.1
closing power of magnet coil at DC	4 W
holding power of magnet coil at DC	4 W
closing delay	
• at DC	30 ... 100 ms
opening delay	
• at DC	7 ... 13 ms
arcing time	10 ... 15 ms
control version of the switch operating mechanism	Standard A1 - A2
Auxiliary circuit	
number of NC contacts for auxiliary contacts	1
• attachable	0
• instantaneous contact	1
number of NO contacts for auxiliary contacts	1
• attachable	0
• instantaneous contact	1
operational current of auxiliary contacts at AC-12 maximum	10 A
operational current of auxiliary contacts at AC-15	
• at 230 V	6 A
• at 400 V	3 A
• at 690 V	1 A
operational current of auxiliary contacts at DC-13	
• at 24 V	6 A
• at 60 V	2 A
• at 110 V	1 A
• at 125 V	0.9 A
• at 220 V	0.3 A
contact reliability of auxiliary contacts	0.00000001
UL/CSA ratings	

contact rating of auxiliary contacts according to UL	A600 / Q600	
Short-circuit protection		
design of the miniature circuit breaker for short-circuit protection of the auxiliary circuit up to 230 V	C characteristic: 10 A; 0.4 kA	
design of the fuse link		
<ul style="list-style-type: none"> for short-circuit protection of the main circuit with type of coordination 1 required 	gG: 40 A (690 V, 50 kA)	
<ul style="list-style-type: none"> for short-circuit protection of the auxiliary switch required 	gG: 10 A (690 V, 1 kA)	
Installation/ mounting/ dimensions		
mounting position	+/-180° rotation possible on vertical mounting surface; can be tilted forward and backward by +/- 22.5° on vertical mounting surface	
fastening method	screw and snap-on mounting onto 35 mm DIN rail according to DIN EN 50022	
height	125 mm	
width	45 mm	
depth	120 mm	
required spacing		
<ul style="list-style-type: none"> with side-by-side mounting at the side 	10 mm	
<ul style="list-style-type: none"> for grounded parts at the side 	10 mm	
Connections/ Terminals		
type of electrical connection		
<ul style="list-style-type: none"> for main current circuit 	screw-type terminals	
<ul style="list-style-type: none"> for auxiliary and control circuit 	screw-type terminals	
<ul style="list-style-type: none"> at contactor for auxiliary contacts 	Screw-type terminals	
<ul style="list-style-type: none"> of magnet coil 	Screw-type terminals	
type of connectable conductor cross-sections for main contacts		
<ul style="list-style-type: none"> solid 	2x (0.5 ... 1.5 mm ²), 2x (0.75 ... 2.5 mm ²), 2x 4 mm ²	
<ul style="list-style-type: none"> stranded 	2x (0.5 ... 1.5 mm ²), 2x (0.75 ... 2.5 mm ²), 2x 4 mm ²	
<ul style="list-style-type: none"> solid or stranded 	2x (0.5 ... 1.5 mm ²), 2x (0.75 ... 2.5 mm ²), 2x 4 mm ²	
<ul style="list-style-type: none"> finely stranded with core end processing 	2x (0.5 ... 1.5 mm ²), 2x (0.75 ... 2.5 mm ²)	
type of connectable conductor cross-sections		
<ul style="list-style-type: none"> for auxiliary contacts 		
<ul style="list-style-type: none"> — solid 	2x (0.5 ... 1.5 mm ²), 2x (0.75 ... 2.5 mm ²), 2x 4 mm ²	
<ul style="list-style-type: none"> — solid or stranded 	2x (0.5 ... 1.5 mm ²), 2x (0.75 ... 2.5 mm ²), 2x 4 mm ²	
<ul style="list-style-type: none"> — finely stranded with core end processing 	2x (0.5 ... 1.5 mm ²), 2x (0.75 ... 2.5 mm ²)	
<ul style="list-style-type: none"> for AWG cables for auxiliary contacts 	2x (20 ... 16), 2x (18 ... 14), 2x 12	
type of minimum connectable cross-sections for main contacts at AC-6b		
<ul style="list-style-type: none"> at 40 °C 	1x 4 mm ² , 2x 2.5 mm ²	
<ul style="list-style-type: none"> at 60 °C 	2x 4 mm ²	
AWG number as coded connectable conductor cross section for main contacts	20 ... 12	
Safety related data		
product function		
<ul style="list-style-type: none"> mirror contact according to IEC 60947-4-1 	No	
<ul style="list-style-type: none"> positively driven operation according to IEC 60947-5-1 	No	
Electrical Safety		
protection class IP on the front according to IEC 60529	IP20	
touch protection on the front according to IEC 60529	finger-safe, for vertical contact from the front	
Approvals Certificates		
General Product Approval	EMV	
     		
Test Certificates	Maritime application	other



other	Dangerous goods	Environment
-------	-----------------	-------------



[Confirmation](#)

[Transport Information](#)



[Environmental Confirmations](#)

Further information

Information on the packaging

<https://support.industry.siemens.com/cs/ww/en/view/109813875>

Information for data generation and storage

<https://support.industry.siemens.com/cs/ww/en/view/109995012>

Information- and Downloadcenter (Catalogs, Brochures,...)

<https://www.siemens.com/ic10>

Industry Mall (Online ordering system)

<https://mall.industry.siemens.com/mall/en/en/Catalog/product?mlfb=3RT2617-1BF43>

Cax online generator

<https://support.automation.siemens.com/WW/CAXorder/default.aspx?lang=en&mlfb=3RT2617-1BF43>

Service&Support (Manuals, Certificates, Characteristics, FAQs,...)

<https://support.industry.siemens.com/cs/ww/en/ps/3RT2617-1BF43>

Image database (product images, 2D dimension drawings, 3D models, device circuit diagrams, EPLAN macros, ...)

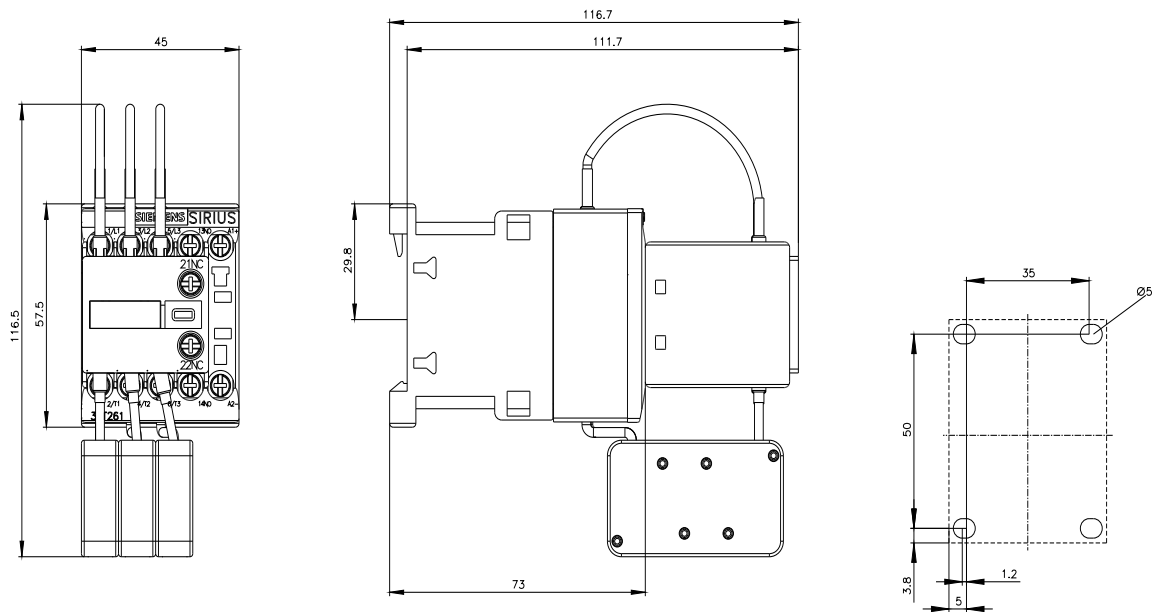
https://www.automation.siemens.com/bilddb/cax_de.aspx?mlfb=3RT2617-1BF43&lang=en

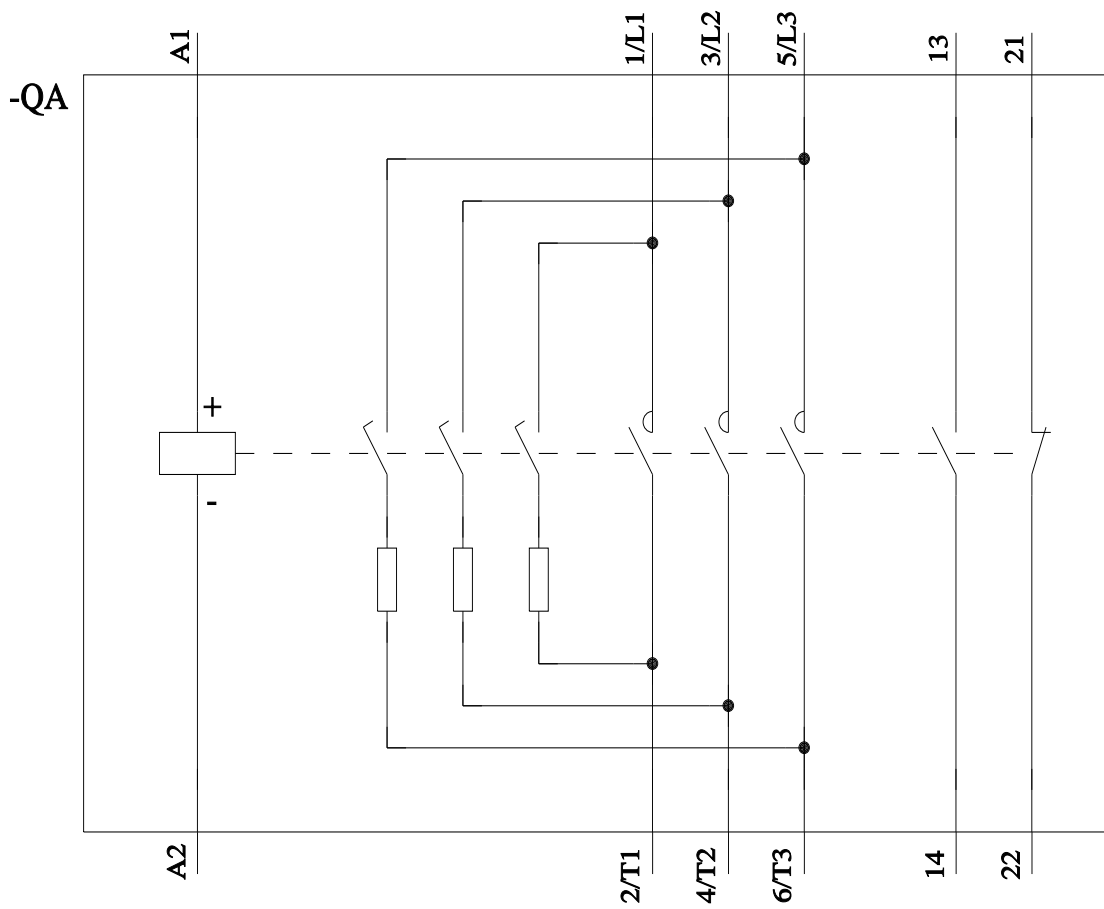
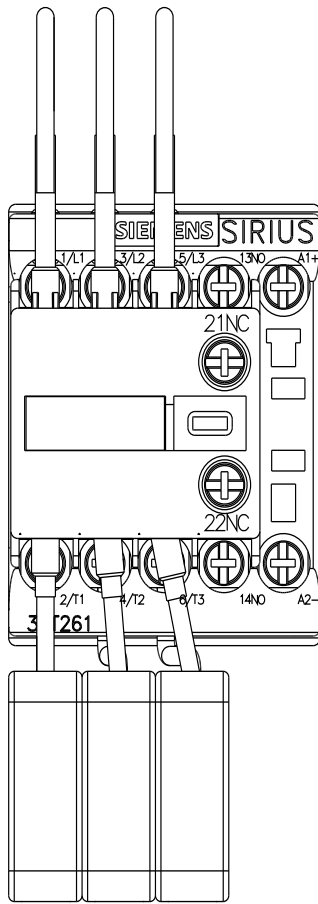
Characteristic: Tripping characteristics, I^t, Let-through current

<https://support.industry.siemens.com/cs/ww/en/ps/3RT2617-1BF43/char>

Further characteristics (e.g. electrical endurance, switching frequency)

<https://www.automation.siemens.com/bilddb/index.aspx?view=Search&mlfb=3RT2617-1BF43&objecttype=14&gridview=view1>





last modified:

11/11/2025