






Surge suppressor (RC element) for 3RT1 S6, S10, S12 with spring-type terminal (drive) 24...48 V AC, 24...70 V DC



| | | | |
|---|--|---|---|
| product brand name | SIRIUS | | |
| product category | Surge suppressor | | |
| product designation | RC element | | |
| product type designation | 3RT19 | | |
| suitability for use | for 3RT1.5, 3RT1.6 and 3RT1.7 contactors | | |
| General technical data | | | |
| certificate of suitability | CE / UL / CSA | | |
| Substance Prohibitance (Date) | 07/01/2006 | | |
| Weight | 0.034 kg | | |
| type of voltage of the control supply voltage | AC/DC | | |
| control supply voltage at AC | | | |
| • at 50 Hz rated value | 24 ... 48 V | | |
| • at 60 Hz rated value | 24 ... 48 V | | |
| control supply voltage frequency | | | |
| • 1 rated value | 50 Hz | | |
| • 2 rated value | 60 Hz | | |
| control supply voltage at DC rated value | 24 ... 70 V | | |
| design of the surge suppressor | RC element | | |
| Ambient conditions | | | |
| ambient temperature | | | |
| • during operation | -25 ... +60 °C | | |
| • during storage | -40 ... +80 °C | | |
| Environmental footprint | | | |
| Environmental Product Declaration (EPD) | Yes | | |
| global warming potential [CO2 eq] total | 23.4 kg | | |
| global warming potential [CO2 eq] during manufacturing | 0.187 kg | | |
| global warming potential [CO2 eq] during operation | 23.2 kg | | |
| global warming potential [CO2 eq] after end of life | 0.014 kg | | |
| Approvals Certificates | | | |
| General Product Approval | EMV | Test Certificates | |
|  EG-Konf. |  |  UR |  |
| |  RCM | Special Test Certificate | |
| Maritime application | other | | |



[Confirmation](#)



other Railway Environment

[Miscellaneous](#)

[Special Test Certificate](#)



[Environmental Confirmations](#)

Further information

Information on the packaging

<https://support.industry.siemens.com/cs/ww/en/view/109813875>

Information for data generation and storage

<https://support.industry.siemens.com/cs/ww/en/view/109995012>

Information- and Downloadcenter (Catalogs, Brochures,...)

<https://www.siemens.com/ic10>

Industry Mall (Online ordering system)

<https://mall.industry.siemens.com/mall/en/en/Catalog/product?mlfb=3RT1956-1CB02>

Cax online generator

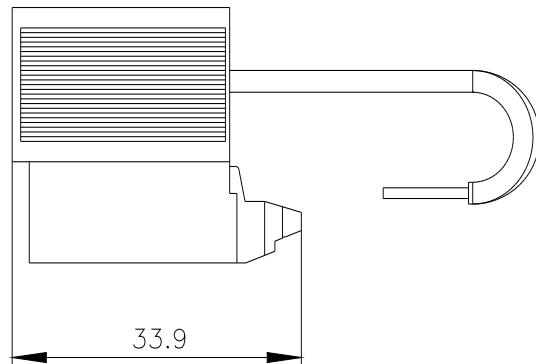
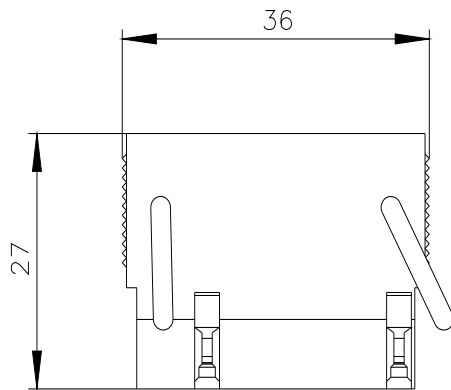
<https://support.automation.siemens.com/WW/CAXorder/default.aspx?lang=en&mlfb=3RT1956-1CB02>

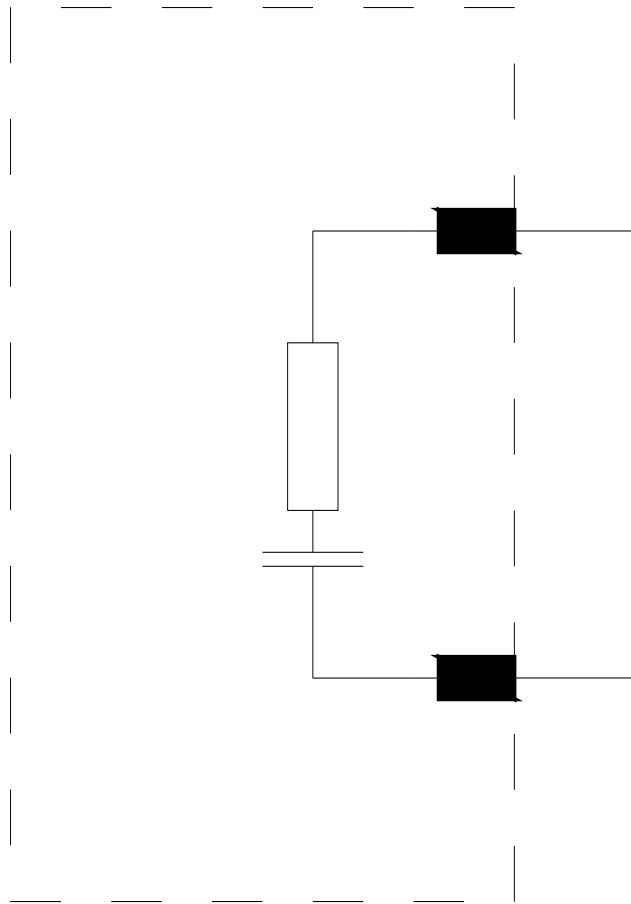
Service&Support (Manuals, Certificates, Characteristics, FAQs,...)

<https://support.industry.siemens.com/cs/ww/en/ps/3RT1956-1CB02>

Image database (product images, 2D dimension drawings, 3D models, device circuit diagrams, EPLAN macros, ...)

https://www.automation.siemens.com/bilddb/cax_de.aspx?mlfb=3RT1956-1CB02&lang=en





last modified:

4/2/2025 