



Withdrawable drive for contactors 3RT105, 3RT145 AC (50...60 Hz) / DC operation, 200 ... 277 V Operating mechanism: electronic with PLC input 24 V DC and RLT signal

product brand name	SIRIUS
product category	Solenoid coils
product designation	Changeover operating mechanism
product type designation	3RT19
General technical data	
Substance Prohibance (Date)	05/01/2012
SVHC substance name	Lead - 7439-92-1 Lead monoxide (lead oxide) - 1317-36-8 2,2',6,6'-tetrabromo-4,4'-isopropylidenediphenol - 79-94-7 Perfluorobutane sulfonic acid (PFBS) and its salts - -
Weight	0.985 kg
type of voltage of the control supply voltage	AC/DC
control supply voltage 1 at AC	
• at 50 Hz	200 ... 277 V
• at 60 Hz	200 ... 277 V
control supply voltage 2 at AC	
• at 50 Hz rated value	277 V
• at 60 Hz rated value	277 V
control supply voltage 1 at DC	200 ... 277 V
control supply voltage 2 at DC rated value	277 V
apparent pick-up power of magnet coil at AC	
• at 50 Hz	280 VA
• at 60 Hz	280 VA
inductive power factor with closing power of the coil	
• at 50 Hz	0.8
• at 60 Hz	0.8
apparent holding power of magnet coil at AC	
• at 50 Hz	4.4 VA
• at 60 Hz	4.4 VA
inductive power factor with the holding power of the coil	
• at 50 Hz	0.5
• at 60 Hz	0.5

Approvals Certificates	
General Product Approval	EMV Test Certificates



[Type Test Certificates/Test Report](#)

Test Certificates	Maritime application	other
-------------------	----------------------	-------



other	Railway	Environment
-------	---------	-------------



[Miscellaneous](#)

[Special Test Certificate](#)

[Environmental Confirmations](#)

Further information

Information on the packaging

<https://support.industry.siemens.com/cs/ww/en/view/109813875>

Information for data generation and storage

<https://support.industry.siemens.com/cs/ww/en/view/109995012>

Information- and Downloadcenter (Catalogs, Brochures,...)

<https://www.siemens.com/ic10>

Industry Mall (Online ordering system)

<https://mall.industry.siemens.com/mall/en/en/Catalog/product?mlfb=3RT1955-5PP31>

Cax online generator

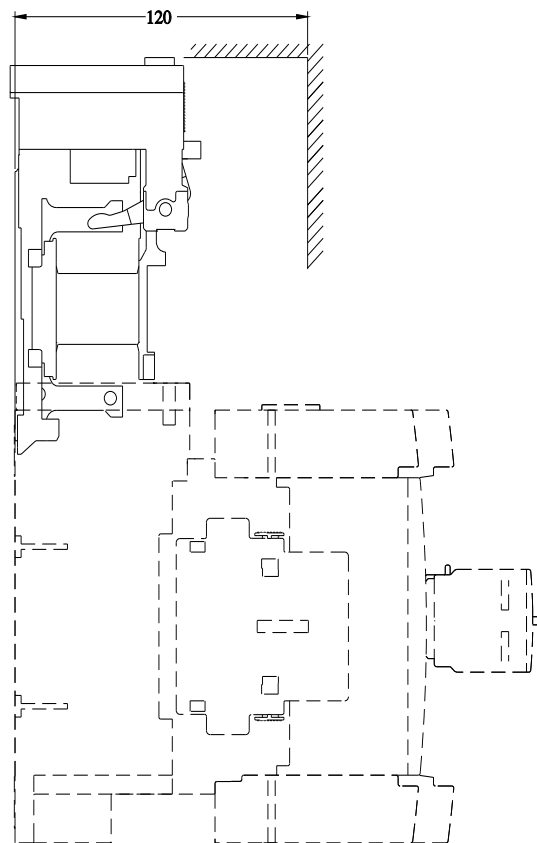
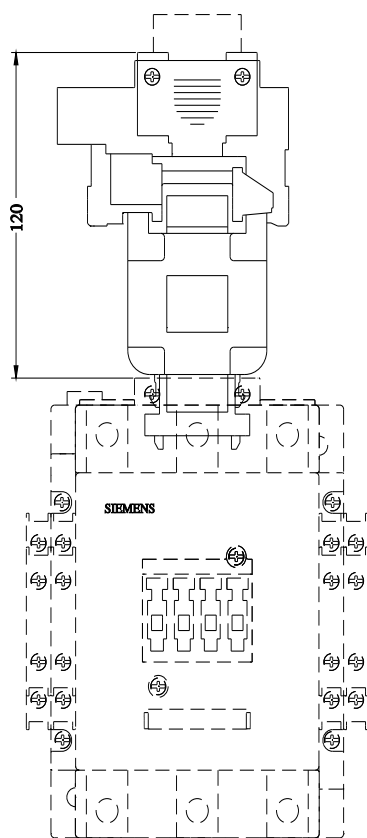
<https://support.automation.siemens.com/WW/CAXorder/default.aspx?lang=en&mlfb=3RT1955-5PP31>

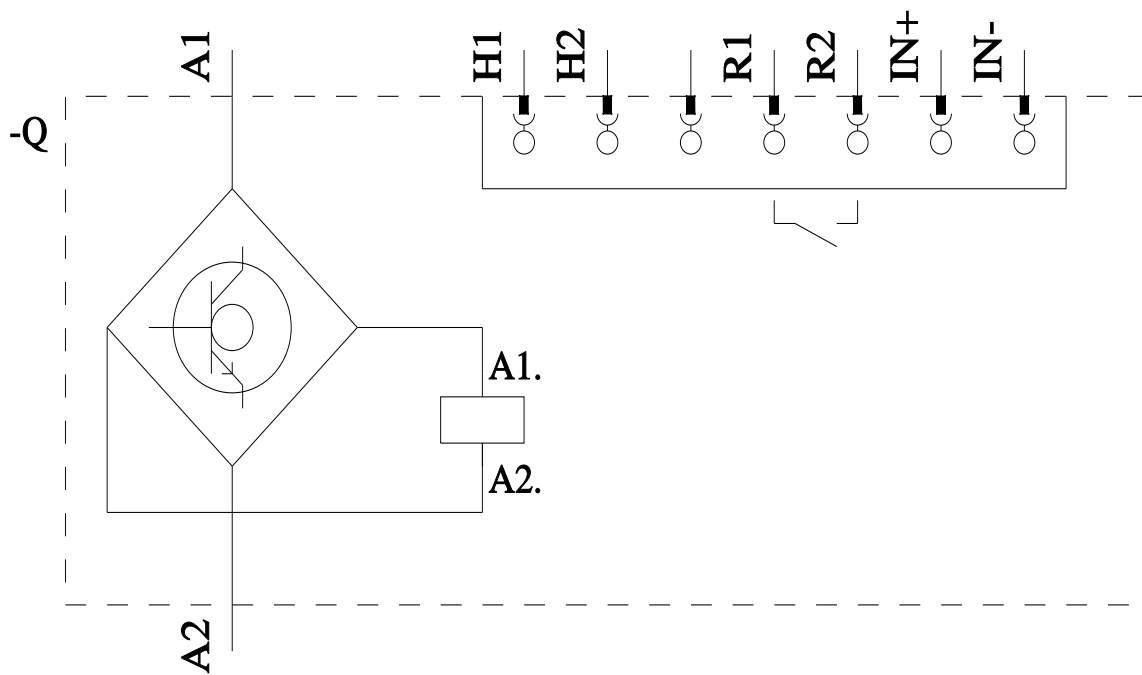
Service&Support (Manuals, Certificates, Characteristics, FAQs,...)

<https://support.industry.siemens.com/cs/ww/en/ps/3RT1955-5PP31>

Image database (product images, 2D dimension drawings, 3D models, device circuit diagrams, EPLAN macros, ...)

https://www.automation.siemens.com/bilddb/cax_de.aspx?mlfb=3RT1955-5PP31&lang=en





last modified:

4/2/2025 