



power contactor AC-1 400 A / 690 V / 40 °C 3-pole, U_c: 220-240 V AC(50-60 Hz) / DC drive: conventional auxiliary contacts 2 NO + 2 NC main circuit: busbar control and auxiliary circuit: spring-loaded terminal

product brand name	SIRIUS
product designation	Contacteur
product type designation	3RT14
General technical data	
size of contactor	S10
product extension	
• function module for communication	No
• auxiliary switch	Yes
power loss [W] for rated value of the current	
• at AC in hot operating state	105.6 W
• at AC in hot operating state per pole	35.2 W
• without load current share typical	7.4 W
type of calculation of power loss depending on pole	quadratic
insulation voltage	
• of main circuit with degree of pollution 3 rated value	1 000 V
• of auxiliary circuit with degree of pollution 3 rated value	500 V
surge voltage resistance	
• of main circuit rated value	8 kV
• of auxiliary circuit rated value	6 kV
shock resistance at rectangular impulse	
• at AC	8,5g / 5 ms, 4,2g / 10 ms
• at DC	8,5g / 5 ms, 4,2g / 10 ms
shock resistance with sine pulse	
• at AC	13,4g / 5 ms, 6,5g / 10 ms
• at DC	13,4g / 5 ms, 6,5g / 10 ms
mechanical service life (operating cycles)	
• of contactor typical	10 000 000
• of the contactor with added electronically optimized auxiliary switch block typical	5 000 000
• of the contactor with added auxiliary switch block typical	10 000 000
reference code according to IEC 81346-2	Q
Substance Prohibitance (Date)	05/01/2012
SVHC substance name	Lead - 7439-92-1
Weight	6.551 kg
Ambient conditions	
installation altitude at height above sea level maximum	2 000 m
ambient temperature	
• during operation	-25 ... +60 °C
• during storage	-55 ... +80 °C
relative humidity minimum	10 %

relative humidity at 55 °C according to IEC 60068-2-30 maximum	95 %
Main circuit	
number of poles for main current circuit	3
number of NO contacts for main contacts	3
number of NC contacts for main contacts	0
type of voltage for main current circuit	AC
operational current	
<ul style="list-style-type: none"> ● at AC-1 <ul style="list-style-type: none"> — up to 690 V at ambient temperature 40 °C rated value — up to 690 V at ambient temperature 55 °C rated value — up to 690 V at ambient temperature 60 °C rated value ● at AC-3 <ul style="list-style-type: none"> — at 400 V rated value — at 690 V rated value 	<p>400 A</p> <p>380 A</p> <p>380 A</p> <p>138 A</p> <p>138 A</p>
minimum cross-section in main circuit at maximum AC-1 rated value	240 mm ²
operational current	
<ul style="list-style-type: none"> ● at 1 current path at DC-1 <ul style="list-style-type: none"> — at 24 V rated value — at 60 V rated value — at 110 V rated value — at 220 V rated value — at 440 V rated value — at 600 V rated value ● with 2 current paths in series at DC-1 <ul style="list-style-type: none"> — at 24 V rated value — at 60 V rated value — at 110 V rated value — at 220 V rated value — at 440 V rated value — at 600 V rated value ● with 3 current paths in series at DC-1 <ul style="list-style-type: none"> — at 24 V rated value — at 60 V rated value — at 110 V rated value — at 220 V rated value — at 440 V rated value — at 600 V rated value ● at 1 current path at DC-3 at DC-5 <ul style="list-style-type: none"> — at 24 V rated value — at 60 V rated value — at 110 V rated value — at 220 V rated value — at 440 V rated value — at 600 V rated value ● with 2 current paths in series at DC-3 at DC-5 <ul style="list-style-type: none"> — at 24 V rated value — at 60 V rated value — at 110 V rated value — at 220 V rated value — at 440 V rated value — at 600 V rated value ● with 3 current paths in series at DC-3 at DC-5 <ul style="list-style-type: none"> — at 24 V rated value — at 60 V rated value — at 110 V rated value — at 220 V rated value — at 440 V rated value 	<p>380 A</p> <p>380 A</p> <p>33 A</p> <p>3.8 A</p> <p>0.9 A</p> <p>0.6 A</p> <p>380 A</p> <p>380 A</p> <p>380 A</p> <p>380 A</p> <p>4 A</p> <p>2 A</p> <p>380 A</p> <p>380 A</p> <p>380 A</p> <p>380 A</p> <p>11 A</p> <p>5.2 A</p> <p>380 A</p> <p>11 A</p> <p>3 A</p> <p>0.6 A</p> <p>0.18 A</p> <p>0.125 A</p> <p>380 A</p> <p>380 A</p> <p>380 A</p> <p>2.5 A</p> <p>0.65 A</p> <p>0.37 A</p> <p>380 A</p> <p>380 A</p> <p>380 A</p> <p>380 A</p> <p>1.4 A</p>

— at 600 V rated value	0.75 A
no-load switching frequency	
• at AC	2 000 1/h
• at DC	2 000 1/h
operating frequency at AC-1 maximum	600 1/h
Control circuit/ Control	
type of voltage	AC/DC
type of voltage of the control supply voltage	AC/DC
control supply voltage at AC	
• at 50 Hz rated value	220 ... 240 V
• at 60 Hz rated value	220 ... 240 V
control supply voltage at DC rated value	220 ... 240 V
operating range factor control supply voltage rated value of magnet coil at DC	
• initial value	0.8
• full-scale value	1.1
operating range factor control supply voltage rated value of magnet coil at AC	
• at 50 Hz	0.8 ... 1.1
• at 60 Hz	0.8 ... 1.1
design of the surge suppressor	with varistor
apparent pick-up power	
• at minimum rated control supply voltage at AC	
— at 50 Hz	490 VA
— at 60 Hz	490 VA
• at maximum rated control supply voltage at AC	
— at 60 Hz	590 VA
— at 50 Hz	590 VA
apparent pick-up power of magnet coil at AC	
• at 50 Hz	590 VA
inductive power factor with closing power of the coil	
• at 50 Hz	0.9
apparent holding power	
• at minimum rated control supply voltage at DC	6.1 VA
• at maximum rated control supply voltage at DC	7.4 VA
apparent holding power	
• at minimum rated control supply voltage at AC	
— at 50 Hz	5.6 VA
— at 60 Hz	5.6 VA
• at maximum rated control supply voltage at AC	
— at 50 Hz	6.7 VA
— at 60 Hz	6.7 VA
apparent holding power of magnet coil at AC	
• at 50 Hz	6.7 VA
inductive power factor with the holding power of the coil	
• at 50 Hz	0.9
closing power of magnet coil at DC	650 W
holding power of magnet coil at DC	7.4 W
closing delay	
• at AC	30 ... 95 ms
• at DC	30 ... 95 ms
opening delay	
• at AC	40 ... 80 ms
• at DC	40 ... 80 ms
arcing time	10 ... 15 ms
control version of the switch operating mechanism	Standard A1 - A2
Auxiliary circuit	
number of NC contacts for auxiliary contacts	2
• attachable	4
• instantaneous contact	2
number of NO contacts for auxiliary contacts	2

<ul style="list-style-type: none"> • attachable 	4
<ul style="list-style-type: none"> • instantaneous contact 	2
operational current at AC-12 maximum	10 A
operational current at AC-15	
<ul style="list-style-type: none"> • at 230 V rated value 	6 A
<ul style="list-style-type: none"> • at 400 V rated value 	3 A
<ul style="list-style-type: none"> • at 500 V rated value 	2 A
<ul style="list-style-type: none"> • at 690 V rated value 	1 A
operational current at DC-13	
<ul style="list-style-type: none"> • at 24 V rated value 	10 A
<ul style="list-style-type: none"> • at 48 V rated value 	2 A
<ul style="list-style-type: none"> • at 60 V rated value 	2 A
<ul style="list-style-type: none"> • at 110 V rated value 	1 A
<ul style="list-style-type: none"> • at 125 V rated value 	0.9 A
<ul style="list-style-type: none"> • at 220 V rated value 	0.3 A
<ul style="list-style-type: none"> • at 600 V rated value 	0.1 A
contact reliability of auxiliary contacts	1 faulty switching per 100 million (17 V, 1 mA)
Short-circuit protection	
design of the miniature circuit breaker for short-circuit protection of the auxiliary circuit up to 230 V	C characteristic: 10 A; 0.4 kA
design of the fuse link	
<ul style="list-style-type: none"> • for short-circuit protection of the main circuit <ul style="list-style-type: none"> — with type of coordination 1 required — with type of coordination 2 required 	gG: 500 A (690 V, 100 kA) gR: 500 A (690 V, 100 kA)
<ul style="list-style-type: none"> • for short-circuit protection of the auxiliary switch required 	gG: 10 A (500 V, 1 kA)
Installation/ mounting/ dimensions	
mounting position	with vertical mounting surface +/-90° rotatable, with vertical mounting surface +/- 22.5° tiltable to the front and back
fastening method side-by-side mounting	Yes
fastening method	screw fixing
height	210 mm
width	145 mm
depth	202 mm
required spacing	
<ul style="list-style-type: none"> • with side-by-side mounting <ul style="list-style-type: none"> — forwards — upwards — downwards — at the side 	20 mm 10 mm 10 mm 0 mm
<ul style="list-style-type: none"> • for grounded parts <ul style="list-style-type: none"> — forwards — upwards — at the side — downwards 	20 mm 10 mm 10 mm 10 mm
<ul style="list-style-type: none"> • for live parts <ul style="list-style-type: none"> — forwards — upwards — downwards — at the side 	20 mm 10 mm 10 mm 10 mm
Connections/ Terminals	
type of electrical connection	
<ul style="list-style-type: none"> • for main current circuit • for auxiliary and control circuit • at contactor for auxiliary contacts • of magnet coil 	Connection bar spring-loaded terminals Spring-type terminals Spring-type terminals
type of connectable conductor cross-sections	
<ul style="list-style-type: none"> • for AWG cables for main contacts 	2/0 ... 500 kcmil
connectable conductor cross-section for main contacts	
<ul style="list-style-type: none"> • solid or stranded • stranded 	70 ... 240 mm ² 70 ... 240 mm ²
connectable conductor cross-section for auxiliary contacts	

<ul style="list-style-type: none"> • solid or stranded 	0.25 ... 2.5 mm ²
<ul style="list-style-type: none"> • finely stranded with core end processing 	0.25 ... 1.5 mm ²
<ul style="list-style-type: none"> • finely stranded without core end processing 	0.25 ... 2.5 mm ²
type of connectable conductor cross-sections	
<ul style="list-style-type: none"> • for auxiliary contacts <ul style="list-style-type: none"> — solid — solid or stranded — finely stranded with core end processing — finely stranded without core end processing • for AWG cables for auxiliary contacts 	2x (0.25 ... 2.5 mm ²) 2x (0,25 ... 2,5 mm ²) 2x (0.25 ... 1.5 mm ²) 2x (0.25 ... 2.5 mm ²) 2x (24 ... 14)
AWG number as coded connectable conductor cross section for auxiliary contacts	24 ... 14

Safety related data

product function	
<ul style="list-style-type: none"> • mirror contact according to IEC 60947-4-1 • positively driven operation according to IEC 60947-5-1 	Yes No
suitability for use safety-related switching OFF	No
service life maximum	20 a

Electrical Safety

protection class IP on the front according to IEC 60529	IP00; IP20 with box terminal/cover
touch protection on the front according to IEC 60529	finger-safe, for vertical contact from the front with box terminal/cover

Approvals Certificates

General Product Approval	EMV
---------------------------------	-----



Functional Safety	Test Certificates	Maritime application
--------------------------	--------------------------	-----------------------------

[Type Examination Certificate](#)

[Special Test Certificate](#)

[Type Test Certificates/Test Report](#)



Maritime application	other
-----------------------------	--------------



[Confirmation](#)

[Miscellaneous](#)

[Confirmation](#)

Railway	Environment
----------------	--------------------

[Special Test Certificate](#)

[Environmental Conformations](#)

Further information

- Information on the packaging
<https://support.industry.siemens.com/cs/ww/en/view/109813875>
- Information for data generation and storage
<https://support.industry.siemens.com/cs/ww/en/view/109995012>
- Information- and Downloadcenter (Catalogs, Brochures,...)
<https://www.siemens.com/ic10>
- Industry Mall (Online ordering system)
<https://mall.industry.siemens.com/mall/en/en/Catalog/product?mlfb=3RT1466-2AP36>
- Cax online generator
<https://support.automation.siemens.com/WW/CAXorder/default.aspx?lang=en&mlfb=3RT1466-2AP36>
- Service&Support (Manuals, Certificates, Characteristics, FAQs,...)
<https://support.industry.siemens.com/cs/ww/en/ps/3RT1466-2AP36>

Image database (product images, 2D dimension drawings, 3D models, device circuit diagrams, EPLAN macros, ...)

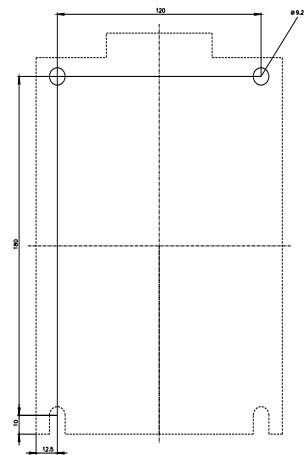
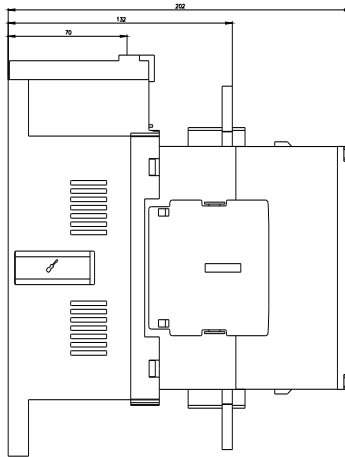
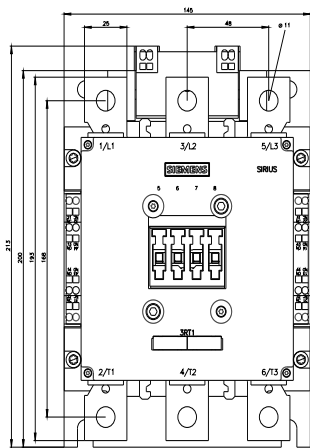
https://www.automation.siemens.com/bilddb/cax_de.aspx?mlfb=3RT1466-2AP36&lang=en

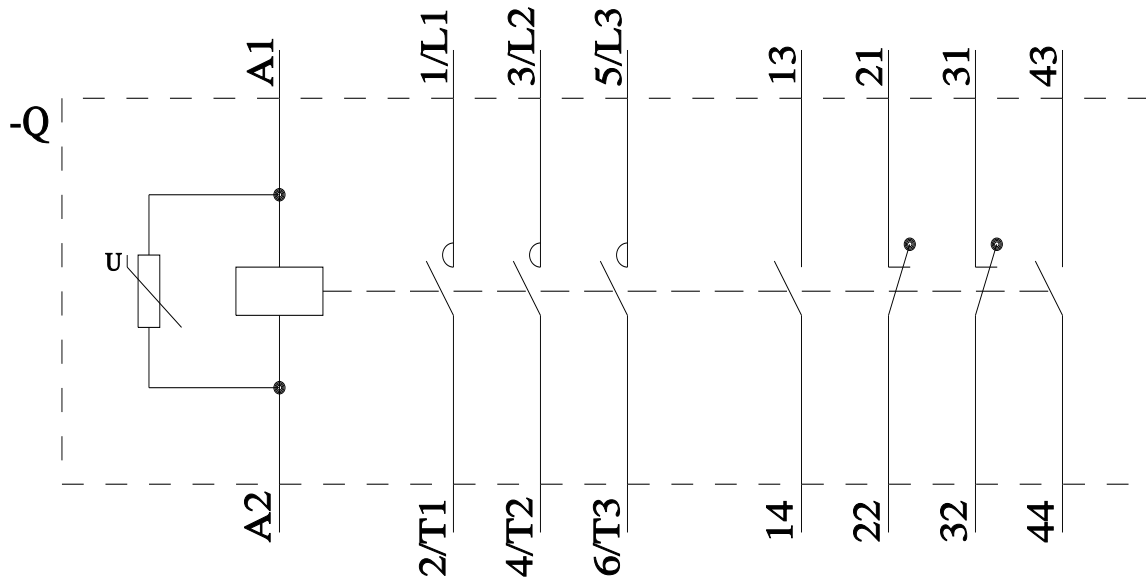
Characteristic: Tripping characteristics, I²t, Let-through current

<https://support.industry.siemens.com/cs/ww/en/ps/3RT1466-2AP36/char>

Further characteristics (e.g. electrical endurance, switching frequency)

<https://www.automation.siemens.com/bilddb/index.aspx?view=Search&mlfb=3RT1466-2AP36&objecttype=14&gridview=view1>





last modified:

4/10/2025 