

Siemens
EcoTech



power contactor, AC-3e/AC-3 400 A, 200 kW / 400 V AC (50-60 Hz) / DC U_c: 220-240 V 3-pole, auxiliary contacts 2 NO + 2 NC drive: conventional main circuit: busbar control and auxiliary circuit: spring-loaded terminal



product brand name	SIRIUS
product designation	Power contactor
product type designation	3RT1
General technical data	
size of contactor	S12
product extension	
• function module for communication	No
• auxiliary switch	Yes
power loss [W] for rated value of the current	
• at AC in hot operating state	105 W
• at AC in hot operating state per pole	35 W
• without load current share typical	10 W
type of calculation of power loss depending on pole	quadratic
insulation voltage	
• of main circuit with degree of pollution 3 rated value	1 000 V
• of auxiliary circuit with degree of pollution 3 rated value	500 V
surge voltage resistance	
• of main circuit rated value	8 kV
• of auxiliary circuit rated value	6 kV
maximum permissible voltage for protective separation between coil and main contacts according to EN 60947-1	690 V
shock resistance at rectangular impulse	
• at AC	8,5g / 5 ms, 4,2g / 10 ms
• at DC	8,5g / 5 ms, 4,2g / 10 ms
shock resistance with sine pulse	
• at AC	13,4g / 5 ms, 6,5g / 10 ms
• at DC	13,4g / 5 ms, 6,5g / 10 ms
mechanical service life (operating cycles)	
• of contactor typical	10 000 000
• of the contactor with added electronically optimized auxiliary switch block typical	5 000 000
• of the contactor with added auxiliary switch block typical	10 000 000
reference code according to IEC 81346-2	Q
Substance Prohibitance (Date)	05/01/2012
SVHC substance name	Lead - 7439-92-1 2,2',6,6'-tetrabromo-4,4'-isopropylidenediphenol - 79-94-7
Weight	10.14 kg
Ambient conditions	

installation altitude at height above sea level maximum	2 000 m
ambient temperature	
• during operation	-25 ... +60 °C
• during storage	-55 ... +80 °C
relative humidity minimum	10 %
relative humidity at 55 °C according to IEC 60068-2-30 maximum	95 %
Environmental footprint	
Environmental Product Declaration (EPD)	Yes
global warming potential [CO2 eq] total	769 kg
global warming potential [CO2 eq] during manufacturing	55.8 kg
global warming potential [CO2 eq] during sales	2.54 kg
global warming potential [CO2 eq] during operation	718 kg
global warming potential [CO2 eq] after end of life	-7.03 kg
Siemens Eco Profile (SEP)	Siemens EcoTech
Main circuit	
number of poles for main current circuit	3
number of NO contacts for main contacts	3
number of NC contacts for main contacts	0
operating voltage	
• at AC-3 rated value maximum	1 000 V
• at AC-3e rated value maximum	1 000 V
operational current	
• at AC-1 at 400 V at ambient temperature 40 °C rated value	430 A
• at AC-1	
— up to 690 V at ambient temperature 40 °C rated value	430 A
— up to 690 V at ambient temperature 60 °C rated value	400 A
— up to 1000 V at ambient temperature 40 °C rated value	200 A
— up to 1000 V at ambient temperature 60 °C rated value	200 A
• at AC-3	
— at 400 V rated value	400 A
— at 500 V rated value	400 A
— at 690 V rated value	400 A
— at 1000 V rated value	180 A
• at AC-3e	
— at 400 V rated value	400 A
— at 500 V rated value	400 A
— at 690 V rated value	400 A
— at 1000 V rated value	180 A
• at AC-4 at 400 V rated value	350 A
• at AC-5a up to 690 V rated value	378 A
• at AC-5b up to 400 V rated value	332 A
• at AC-6a	
— up to 230 V for current peak value n=20 rated value	395 A
— up to 400 V for current peak value n=20 rated value	395 A
— up to 500 V for current peak value n=20 rated value	395 A
— up to 690 V for current peak value n=20 rated value	395 A
— up to 1000 V for current peak value n=20 rated value	180 A
• at AC-6a	
— up to 230 V for current peak value n=30 rated value	264 A
— up to 400 V for current peak value n=30 rated value	264 A
— up to 500 V for current peak value n=30 rated value	264 A
— up to 690 V for current peak value n=30 rated value	264 A
— up to 1000 V for current peak value n=30 rated value	180 A
minimum cross-section in main circuit at maximum AC-1 rated value	300 mm ²

operational current for approx. 200000 operating cycles at AC-4	
<ul style="list-style-type: none"> ● at 400 V rated value ● at 690 V rated value 	<p>150 A</p> <p>135 A</p>
operational current	
<ul style="list-style-type: none"> ● at 1 current path at DC-1 <ul style="list-style-type: none"> — at 24 V rated value — at 60 V rated value — at 110 V rated value — at 220 V rated value — at 440 V rated value — at 600 V rated value ● with 2 current paths in series at DC-1 <ul style="list-style-type: none"> — at 24 V rated value — at 60 V rated value — at 110 V rated value — at 220 V rated value — at 440 V rated value — at 600 V rated value ● with 3 current paths in series at DC-1 <ul style="list-style-type: none"> — at 24 V rated value — at 60 V rated value — at 110 V rated value — at 220 V rated value — at 440 V rated value — at 600 V rated value ● at 1 current path at DC-3 at DC-5 <ul style="list-style-type: none"> — at 24 V rated value — at 60 V rated value — at 220 V rated value — at 440 V rated value — at 600 V rated value ● with 2 current paths in series at DC-3 at DC-5 <ul style="list-style-type: none"> — at 24 V rated value — at 60 V rated value — at 110 V rated value — at 220 V rated value — at 440 V rated value — at 600 V rated value ● with 3 current paths in series at DC-3 at DC-5 <ul style="list-style-type: none"> — at 24 V rated value — at 60 V rated value — at 110 V rated value — at 220 V rated value — at 440 V rated value — at 600 V rated value 	<p>400 A</p> <p>330 A</p> <p>33 A</p> <p>3.8 A</p> <p>0.9 A</p> <p>0.6 A</p> <p>400 A</p> <p>400 A</p> <p>400 A</p> <p>400 A</p> <p>4 A</p> <p>2 A</p> <p>400 A</p> <p>400 A</p> <p>400 A</p> <p>400 A</p> <p>11 A</p> <p>5.2 A</p> <p>400 A</p> <p>11 A</p> <p>0.6 A</p> <p>0.18 A</p> <p>0.125 A</p> <p>400 A</p> <p>400 A</p> <p>400 A</p> <p>2.5 A</p> <p>0.65 A</p> <p>0.37 A</p> <p>400 A</p> <p>400 A</p> <p>400 A</p> <p>400 A</p> <p>1.4 A</p> <p>0.75 A</p>
operating power	
<ul style="list-style-type: none"> ● at AC-3 <ul style="list-style-type: none"> — at 230 V rated value — at 400 V rated value — at 500 V rated value — at 690 V rated value — at 1000 V rated value ● at AC-3e <ul style="list-style-type: none"> — at 230 V rated value — at 400 V rated value — at 500 V rated value — at 690 V rated value — at 1000 V rated value 	<p>132 kW</p> <p>200 kW</p> <p>250 kW</p> <p>400 kW</p> <p>250 kW</p> <p>132 kW</p> <p>200 kW</p> <p>250 kW</p> <p>400 kW</p> <p>250 kW</p>
operating power for approx. 200000 operating cycles at AC-4	

<ul style="list-style-type: none"> • at 400 V rated value • at 690 V rated value 	85 kW 133 kW
operating apparent power at AC-6a <ul style="list-style-type: none"> • up to 230 V for current peak value n=20 rated value • up to 400 V for current peak value n=20 rated value • up to 500 V for current peak value n=20 rated value • up to 690 V for current peak value n=20 rated value • up to 1000 V for current peak value n=20 rated value 	150 kVA 270 kVA 340 kVA 470 kVA 310 kVA
operating apparent power at AC-6a <ul style="list-style-type: none"> • up to 230 V for current peak value n=30 rated value • up to 400 V for current peak value n=30 rated value • up to 500 V for current peak value n=30 rated value • up to 690 V for current peak value n=30 rated value • up to 1000 V for current peak value n=30 rated value 	100 kVA 180 kVA 220 kVA 310 kVA 310 kVA
short-time withstand current in cold operating state up to 40 °C <ul style="list-style-type: none"> • limited to 1 s switching at zero current maximum • limited to 5 s switching at zero current maximum • limited to 10 s switching at zero current maximum • limited to 30 s switching at zero current maximum • limited to 60 s switching at zero current maximum 	6 600 A; Use minimum cross-section acc. to AC-1 rated value 5 761 A; Use minimum cross-section acc. to AC-1 rated value 4 143 A; Use minimum cross-section acc. to AC-1 rated value 2 635 A; Use minimum cross-section acc. to AC-1 rated value 2 088 A; Use minimum cross-section acc. to AC-1 rated value
no-load switching frequency <ul style="list-style-type: none"> • at AC • at DC 	2 000 1/h 2 000 1/h
operating frequency <ul style="list-style-type: none"> • at AC-1 maximum • at AC-2 maximum • at AC-3 maximum • at AC-3e <ul style="list-style-type: none"> — maximum • at AC-4 maximum 	700 1/h 200 1/h 500 1/h 500 1/h 130 1/h
Control circuit/ Control	
type of voltage of the control supply voltage	AC/DC
control supply voltage at AC <ul style="list-style-type: none"> • at 50 Hz rated value • at 60 Hz rated value 	220 ... 240 V 220 ... 240 V
control supply voltage at DC rated value	220 ... 240 V
operating range factor control supply voltage rated value of magnet coil at DC <ul style="list-style-type: none"> • initial value • full-scale value 	0.8 1.1
operating range factor control supply voltage rated value of magnet coil at AC <ul style="list-style-type: none"> • at 50 Hz • at 60 Hz 	0.8 ... 1.1 0.8 ... 1.1
design of the surge suppressor	with varistor
apparent pick-up power <ul style="list-style-type: none"> • at minimum rated control supply voltage at AC <ul style="list-style-type: none"> — at 50 Hz — at 60 Hz • at maximum rated control supply voltage at AC <ul style="list-style-type: none"> — at 60 Hz — at 50 Hz 	700 VA 700 VA 830 VA 830 VA
apparent pick-up power of magnet coil at AC <ul style="list-style-type: none"> • at 50 Hz • at 60 Hz 	830 VA 830 VA
inductive power factor with closing power of the coil <ul style="list-style-type: none"> • at 50 Hz • at 60 Hz 	0.9 0.9
apparent holding power <ul style="list-style-type: none"> • at minimum rated control supply voltage at DC • at maximum rated control supply voltage at DC 	8.5 VA 10 VA

apparent holding power	
<ul style="list-style-type: none"> ● at minimum rated control supply voltage at AC <ul style="list-style-type: none"> — at 50 Hz — at 60 Hz ● at maximum rated control supply voltage at AC <ul style="list-style-type: none"> — at 50 Hz — at 60 Hz 	 7.6 VA 7.6 VA 9.2 VA 9.2 VA
inductive power factor with the holding power of the coil	
<ul style="list-style-type: none"> ● at 50 Hz ● at 60 Hz 	 0.9 0.9
closing power of magnet coil at DC	920 W
holding power of magnet coil at DC	10 W
closing delay	
<ul style="list-style-type: none"> ● at AC ● at DC 	 45 ... 100 ms 45 ... 100 ms
opening delay	
<ul style="list-style-type: none"> ● at AC ● at DC 	 60 ... 100 ms 60 ... 100 ms
arcing time	10 ... 15 ms
control version of the switch operating mechanism	Standard A1 - A2
Auxiliary circuit	
number of NC contacts for auxiliary contacts instantaneous contact	2
number of NO contacts for auxiliary contacts instantaneous contact	2
operational current at AC-12 maximum	10 A
operational current at AC-15	
<ul style="list-style-type: none"> ● at 230 V rated value ● at 400 V rated value ● at 500 V rated value ● at 690 V rated value 	 6 A 3 A 2 A 1 A
operational current at DC-12	
<ul style="list-style-type: none"> ● at 24 V rated value ● at 48 V rated value ● at 60 V rated value ● at 110 V rated value ● at 125 V rated value ● at 220 V rated value ● at 600 V rated value 	 10 A 6 A 6 A 3 A 2 A 1 A 0.15 A
operational current at DC-13	
<ul style="list-style-type: none"> ● at 24 V rated value ● at 48 V rated value ● at 60 V rated value ● at 110 V rated value ● at 125 V rated value ● at 220 V rated value ● at 600 V rated value 	 10 A 2 A 2 A 1 A 0.9 A 0.3 A 0.1 A
contact reliability of auxiliary contacts	1 faulty switching per 100 million (17 V, 1 mA)
UL/CSA ratings	
full-load current (FLA) for 3-phase AC motor	
<ul style="list-style-type: none"> ● at 480 V rated value ● at 600 V rated value 	 361 A 382 A
yielded mechanical performance [hp]	
<ul style="list-style-type: none"> ● for 3-phase AC motor <ul style="list-style-type: none"> — at 200/208 V rated value — at 220/230 V rated value — at 460/480 V rated value — at 575/600 V rated value 	 125 hp 150 hp 300 hp 400 hp
contact rating of auxiliary contacts according to UL	A600 / Q600
Short-circuit protection	
design of the miniature circuit breaker for short-circuit protection	C characteristic: 10 A; 0.4 kA

of the auxiliary circuit up to 230 V	
design of the fuse link	
<ul style="list-style-type: none"> ● for short-circuit protection of the main circuit <ul style="list-style-type: none"> — with type of coordination 1 required — with type of coordination 2 required ● for short-circuit protection of the auxiliary switch required 	gG: 630 A (690 V, 100 kA) gG: 500 A (690 V, 100 kA), aM: 400 A (690 V, 50 kA), BS88: 450 A (415 V, 50 kA) gG: 10 A (500 V, 1 kA)
Installation/ mounting/ dimensions	
mounting position	with vertical mounting surface +/-90° rotatable, with vertical mounting surface +/- 22.5° tiltable to the front and back
fastening method side-by-side mounting	Yes
fastening method	screw fixing
height	214 mm
width	160 mm
depth	225 mm
required spacing	
<ul style="list-style-type: none"> ● with side-by-side mounting <ul style="list-style-type: none"> — forwards — upwards — downwards — at the side ● for grounded parts <ul style="list-style-type: none"> — forwards — upwards — at the side — downwards ● for live parts <ul style="list-style-type: none"> — forwards — upwards — downwards — at the side 	20 mm 10 mm 10 mm 0 mm 20 mm 10 mm 10 mm 10 mm 20 mm 10 mm 10 mm 10 mm
Connections/ Terminals	
type of electrical connection	
<ul style="list-style-type: none"> ● for main current circuit ● for auxiliary and control circuit ● at contactor for auxiliary contacts ● of magnet coil 	Connection bar spring-loaded terminals Spring-type terminals Spring-type terminals
width of connection bar	25 mm
thickness of connection bar	6 mm
diameter of holes	11 mm
number of holes	1
type of connectable conductor cross-sections	
<ul style="list-style-type: none"> ● for AWG cables for main contacts 	2/0 ... 500 kcmil
connectable conductor cross-section for main contacts	
<ul style="list-style-type: none"> ● stranded 	70 ... 240 mm ²
connectable conductor cross-section for auxiliary contacts	
<ul style="list-style-type: none"> ● solid or stranded ● finely stranded with core end processing ● finely stranded without core end processing 	0.25 ... 2.5 mm ² 0.25 ... 1.5 mm ² 0.25 ... 2.5 mm ²
type of connectable conductor cross-sections	
<ul style="list-style-type: none"> ● for auxiliary contacts <ul style="list-style-type: none"> — solid — solid or stranded — finely stranded with core end processing — finely stranded without core end processing ● for AWG cables for auxiliary contacts 	2x (0.25 ... 2.5 mm ²) 2x (0,25 ... 2,5 mm ²) 2x (0.25 ... 1.5 mm ²) 2x (0.25 ... 2.5 mm ²) 2x (24 ... 14)
AWG number as coded connectable conductor cross section for auxiliary contacts	24 ... 14
Safety related data	
product function	
<ul style="list-style-type: none"> ● mirror contact according to IEC 60947-4-1 	Yes

• positively driven operation according to IEC 60947-5-1	No
• suitable for safety function	Yes
suitability for use safety-related switching OFF	Yes
service life maximum	20 a
test wear-related service life necessary	Yes
proportion of dangerous failures	
• with low demand rate according to SN 31920	40 %
• with high demand rate according to SN 31920	73 %
B10 value with high demand rate according to SN 31920	1 000 000
failure rate [FIT] with low demand rate according to SN 31920	100 FIT
ISO 13849	
device type according to ISO 13849-1	3
overdimensioning according to ISO 13849-2 necessary	Yes
IEC 61508	
safety device type according to IEC 61508-2	Type A
Electrical Safety	
protection class IP on the front according to IEC 60529	IP00; IP20 with box terminal/cover
touch protection on the front according to IEC 60529	finger-safe, for vertical contact from the front with box terminal/cover

Approvals Certificates

General Product Approval EMV



Functional Safety Test Certificates Maritime application

[Type Examination Certificate](#)
 [Special Test Certificate](#)
 [Type Test Certificates/Test Report](#)

Maritime application other

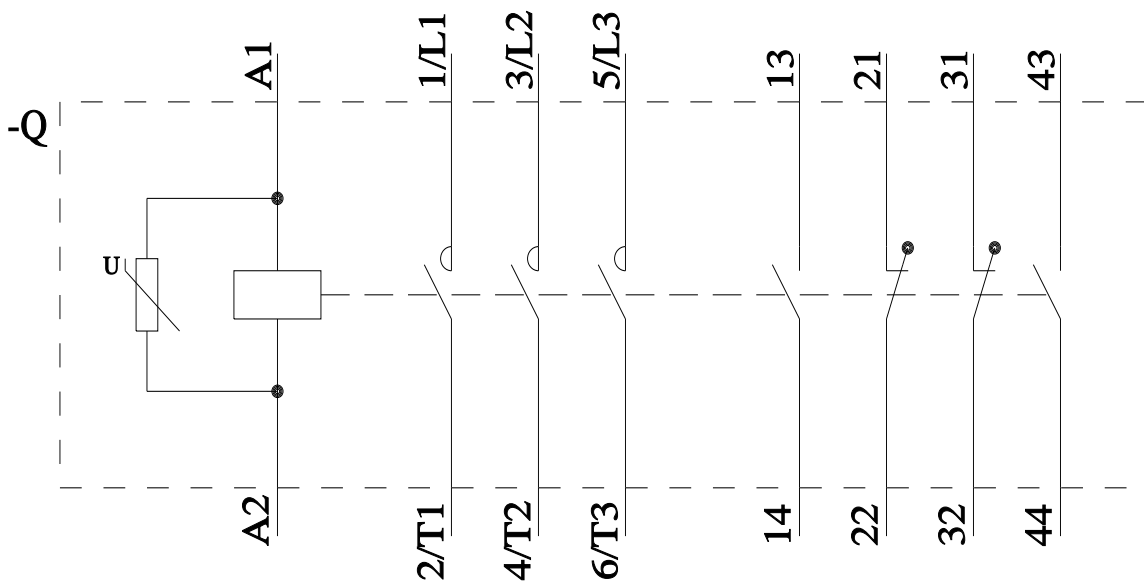
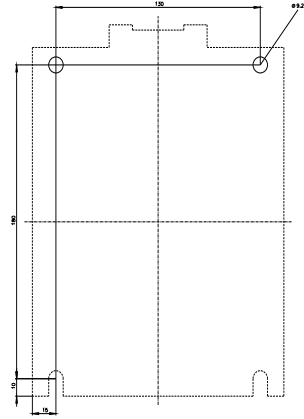
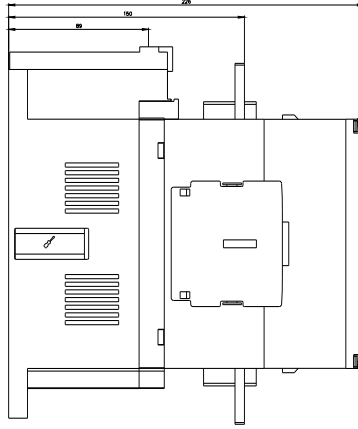
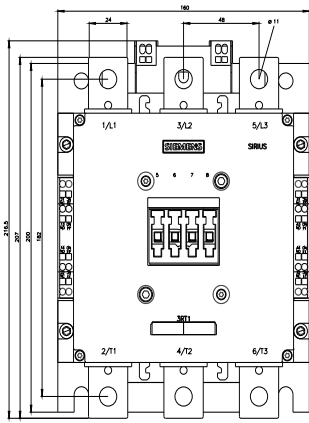
[Confirmation](#)
 [Miscellaneous](#)
 [Miscellaneous](#)

other Railway Environment

[Confirmation](#)
 [Special Test Certificate](#)

Further information

Information on the packaging
<https://support.industry.siemens.com/cs/ww/en/view/109813875>
Information for data generation and storage
<https://support.industry.siemens.com/cs/ww/en/view/109995012>
Information- and Downloadcenter (Catalogs, Brochures,...)
<https://www.siemens.com/ic10>
Industry Mall (Online ordering system)
<https://mall.industry.siemens.com/mall/en/en/Catalog/product?mlfb=3RT1075-2AP36>
Cax online generator
<https://support.automation.siemens.com/WW/CAXorder/default.aspx?lang=en&mlfb=3RT1075-2AP36>
Service&Support (Manuals, Certificates, Characteristics, FAQs,...)
<https://support.industry.siemens.com/cs/ww/en/ps/3RT1075-2AP36>
Image database (product images, 2D dimension drawings, 3D models, device circuit diagrams, EPLAN macros, ...)
https://www.automation.siemens.com/bilddb/cax_de.aspx?mlfb=3RT1075-2AP36&lang=en
Characteristic: Tripping characteristics, I_t, Let-through current



last modified:

10/21/2025 