



power contactor, AC-3e/AC-3 225 A, 110 kW / 400 V without operating mechanism  
3-pole, auxiliary contacts 2 NO + 2 NC main circuit: busbar control and auxiliary  
circuit: screw terminal

<b>product brand name</b>	SIRIUS
<b>product designation</b>	Power contactor
<b>product type designation</b>	3RT1
<b>General technical data</b>	
<b>size of contactor</b>	S10
<b>product extension</b>	
• function module for communication	No
• auxiliary switch	Yes
<b>power loss [W] for rated value of the current</b>	
• at AC in hot operating state	51 W
• at AC in hot operating state per pole	17 W
<b>type of calculation of power loss depending on pole</b>	quadratic
<b>insulation voltage</b>	
• of main circuit with degree of pollution 3 rated value	1 000 V
• of auxiliary circuit with degree of pollution 3 rated value	500 V
<b>surge voltage resistance</b>	
• of main circuit rated value	8 kV
• of auxiliary circuit rated value	6 kV
maximum permissible voltage for protective separation between coil and main contacts according to EN 60947-1	690 V
<b>shock resistance at rectangular impulse</b>	
• at AC	8,5g / 5 ms, 4,2g / 10 ms
• at DC	8,5g / 5 ms, 4,2g / 10 ms
<b>shock resistance with sine pulse</b>	
• at AC	13,4g / 5 ms, 6,5g / 10 ms
• at DC	13,4g / 5 ms, 6,5g / 10 ms
<b>mechanical service life (operating cycles)</b>	
• of contactor typical	10 000 000
• of the contactor with added electronically optimized auxiliary switch block typical	5 000 000
• of the contactor with added auxiliary switch block typical	10 000 000
<b>reference code according to IEC 81346-2</b>	Q
<b>Substance Prohibition (Date)</b>	05/01/2012
<b>SVHC substance name</b>	Lead - 7439-92-1
<b>Weight</b>	5.825 kg
<b>Ambient conditions</b>	
installation altitude at height above sea level maximum	2 000 m
<b>ambient temperature</b>	
• during operation	-25 ... +60 °C
• during storage	-55 ... +80 °C
<b>relative humidity minimum</b>	10 %

relative humidity at 55 °C according to IEC 60068-2-30 maximum	95 %
<b>Main circuit</b>	
number of poles for main current circuit	3
number of NO contacts for main contacts	3
number of NC contacts for main contacts	0
<b>operating voltage</b>	
• at AC-3 rated value maximum	1 000 V
• at AC-3e rated value maximum	1 000 V
<b>operational current</b>	
• at AC-1 at 400 V at ambient temperature 40 °C rated value	275 A
• at AC-1	
— up to 690 V at ambient temperature 40 °C rated value	275 A
— up to 690 V at ambient temperature 60 °C rated value	250 A
— up to 1000 V at ambient temperature 40 °C rated value	100 A
— up to 1000 V at ambient temperature 60 °C rated value	100 A
• at AC-3	
— at 400 V rated value	225 A
— at 500 V rated value	225 A
— at 690 V rated value	225 A
— at 1000 V rated value	68 A
• at AC-3e	
— at 400 V rated value	225 A
— at 500 V rated value	225 A
— at 690 V rated value	225 A
— at 1000 V rated value	68 A
• at AC-4 at 400 V rated value	195 A
• at AC-5a up to 690 V rated value	242 A
• at AC-5b up to 400 V rated value	186 A
• at AC-6a	
— up to 230 V for current peak value n=20 rated value	225 A
— up to 400 V for current peak value n=20 rated value	225 A
— up to 500 V for current peak value n=20 rated value	225 A
— up to 690 V for current peak value n=20 rated value	225 A
— up to 1000 V for current peak value n=20 rated value	68 A
• at AC-6a	
— up to 230 V for current peak value n=30 rated value	172 A
— up to 400 V for current peak value n=30 rated value	172 A
— up to 500 V for current peak value n=30 rated value	172 A
— up to 690 V for current peak value n=30 rated value	172 A
— up to 1000 V for current peak value n=30 rated value	68 A
minimum cross-section in main circuit at maximum AC-1 rated value	150 mm <sup>2</sup>
<b>operational current for approx. 200000 operating cycles at AC-4</b>	
• at 400 V rated value	96 A
• at 690 V rated value	85 A
<b>operational current</b>	
• at 1 current path at DC-1	
— at 24 V rated value	200 A
— at 60 V rated value	200 A
— at 110 V rated value	18 A
— at 220 V rated value	3.4 A
— at 440 V rated value	0.8 A
— at 600 V rated value	0.5 A
• with 2 current paths in series at DC-1	
— at 24 V rated value	200 A

— at 60 V rated value	200 A
— at 110 V rated value	200 A
— at 220 V rated value	20 A
— at 440 V rated value	3.2 A
— at 600 V rated value	1.6 A
<b>● with 3 current paths in series at DC-1</b>	
— at 24 V rated value	200 A
— at 60 V rated value	200 A
— at 110 V rated value	200 A
— at 220 V rated value	200 A
— at 440 V rated value	11 A
— at 600 V rated value	4 A
<b>● at 1 current path at DC-3 at DC-5</b>	
— at 24 V rated value	200 A
— at 60 V rated value	7.5 A
— at 220 V rated value	0.6 A
— at 440 V rated value	0.17 A
— at 600 V rated value	0.12 A
<b>● with 2 current paths in series at DC-3 at DC-5</b>	
— at 24 V rated value	200 A
— at 60 V rated value	200 A
— at 110 V rated value	200 A
— at 220 V rated value	2.5 A
— at 440 V rated value	0.65 A
— at 600 V rated value	0.37 A
<b>● with 3 current paths in series at DC-3 at DC-5</b>	
— at 24 V rated value	200 A
— at 60 V rated value	200 A
— at 110 V rated value	200 A
— at 220 V rated value	200 A
— at 440 V rated value	1.4 A
— at 600 V rated value	0.75 A
<b>operating power</b>	
<b>● at AC-3</b>	
— at 230 V rated value	55 kW
— at 400 V rated value	110 kW
— at 500 V rated value	160 kW
— at 690 V rated value	200 kW
— at 1000 V rated value	90 kW
<b>● at AC-3e</b>	
— at 230 V rated value	55 kW
— at 400 V rated value	110 kW
— at 500 V rated value	160 kW
— at 690 V rated value	200 kW
— at 1000 V rated value	90 kW
<b>operating power for approx. 200000 operating cycles at AC-4</b>	
<b>● at 400 V rated value</b>	54 kW
<b>● at 690 V rated value</b>	82 kW
<b>operating apparent power at AC-6a</b>	
<b>● up to 230 V for current peak value n=20 rated value</b>	90 kVA
<b>● up to 400 V for current peak value n=20 rated value</b>	150 kVA
<b>● up to 500 V for current peak value n=20 rated value</b>	190 kVA
<b>● up to 690 V for current peak value n=20 rated value</b>	260 kVA
<b>● up to 1000 V for current peak value n=20 rated value</b>	110 kVA
<b>operating apparent power at AC-6a</b>	
<b>● up to 230 V for current peak value n=30 rated value</b>	60 kVA
<b>● up to 400 V for current peak value n=30 rated value</b>	110 kVA
<b>● up to 500 V for current peak value n=30 rated value</b>	140 kVA
<b>● up to 690 V for current peak value n=30 rated value</b>	200 kVA
<b>● up to 1000 V for current peak value n=30 rated value</b>	110 kVA

<b>short-time withstand current in cold operating state up to 40 °C</b>	
<ul style="list-style-type: none"> <li>• limited to 1 s switching at zero current maximum</li> <li>• limited to 5 s switching at zero current maximum</li> <li>• limited to 10 s switching at zero current maximum</li> <li>• limited to 30 s switching at zero current maximum</li> <li>• limited to 60 s switching at zero current maximum</li> </ul>	<p>4 000 A; Use minimum cross-section acc. to AC-1 rated value</p> <p>2 807 A; Use minimum cross-section acc. to AC-1 rated value</p> <p>2 082 A; Use minimum cross-section acc. to AC-1 rated value</p> <p>1 397 A; Use minimum cross-section acc. to AC-1 rated value</p> <p>1 144 A; Use minimum cross-section acc. to AC-1 rated value</p>
<b>no-load switching frequency</b>	
<ul style="list-style-type: none"> <li>• at AC</li> <li>• at DC</li> </ul>	<p>2 000 1/h</p> <p>2 000 1/h</p>
<b>operating frequency</b>	
<ul style="list-style-type: none"> <li>• at AC-1 maximum</li> <li>• at AC-2 maximum</li> <li>• at AC-3 maximum</li> <li>• at AC-3e <ul style="list-style-type: none"> <li>— maximum</li> </ul> </li> <li>• at AC-4 maximum</li> </ul>	<p>750 1/h</p> <p>250 1/h</p> <p>500 1/h</p> <p>500 1/h</p> <p>130 1/h</p>
<b>Control circuit/ Control</b>	
<b>type of voltage of the control supply voltage</b>	AC/DC
<b>closing delay</b>	
<ul style="list-style-type: none"> <li>• at AC</li> <li>• at DC</li> </ul>	<p>30 ... 95 ms</p> <p>30 ... 95 ms</p>
<b>opening delay</b>	
<ul style="list-style-type: none"> <li>• at AC</li> <li>• at DC</li> </ul>	<p>40 ... 80 ms</p> <p>40 ... 80 ms</p>
<b>arcing time</b>	10 ... 15 ms
<b>control version of the switch operating mechanism</b>	Without operating mechanism
<b>Auxiliary circuit</b>	
number of NC contacts for auxiliary contacts instantaneous contact	2
number of NO contacts for auxiliary contacts instantaneous contact	2
operational current at AC-12 maximum	10 A
<b>operational current at AC-15</b>	
<ul style="list-style-type: none"> <li>• at 230 V rated value</li> <li>• at 400 V rated value</li> <li>• at 500 V rated value</li> <li>• at 690 V rated value</li> </ul>	<p>6 A</p> <p>3 A</p> <p>2 A</p> <p>1 A</p>
<b>operational current at DC-12</b>	
<ul style="list-style-type: none"> <li>• at 24 V rated value</li> <li>• at 48 V rated value</li> <li>• at 60 V rated value</li> <li>• at 110 V rated value</li> <li>• at 125 V rated value</li> <li>• at 220 V rated value</li> <li>• at 600 V rated value</li> </ul>	<p>10 A</p> <p>6 A</p> <p>6 A</p> <p>3 A</p> <p>2 A</p> <p>1 A</p> <p>0.15 A</p>
<b>operational current at DC-13</b>	
<ul style="list-style-type: none"> <li>• at 24 V rated value</li> <li>• at 48 V rated value</li> <li>• at 60 V rated value</li> <li>• at 110 V rated value</li> <li>• at 125 V rated value</li> <li>• at 220 V rated value</li> <li>• at 600 V rated value</li> </ul>	<p>10 A</p> <p>2 A</p> <p>2 A</p> <p>1 A</p> <p>0.9 A</p> <p>0.3 A</p> <p>0.1 A</p>
<b>contact reliability of auxiliary contacts</b>	1 faulty switching per 100 million (17 V, 1 mA)
<b>UL/CSA ratings</b>	
<b>full-load current (FLA) for 3-phase AC motor</b>	
<ul style="list-style-type: none"> <li>• at 480 V rated value</li> <li>• at 600 V rated value</li> </ul>	<p>180 A</p> <p>192 A</p>
<b>yielded mechanical performance [hp]</b>	
<ul style="list-style-type: none"> <li>• for 3-phase AC motor</li> </ul>	

— at 200/208 V rated value	60 hp
— at 220/230 V rated value	75 hp
— at 460/480 V rated value	150 hp
— at 575/600 V rated value	200 hp
<b>contact rating of auxiliary contacts according to UL</b>	A600 / Q600
<b>Short-circuit protection</b>	
design of the miniature circuit breaker for short-circuit protection of the auxiliary circuit up to 230 V	C characteristic: 10 A; 0.4 kA
<b>design of the fuse link</b>	
<ul style="list-style-type: none"> <li>● for short-circuit protection of the main circuit <ul style="list-style-type: none"> <li>— with type of coordination 1 required</li> <li>— with type of coordination 2 required</li> </ul> </li>   <li>● for short-circuit protection of the auxiliary switch required</li> </ul>	gG: 500 A (690 V, 100 kA) gG: 400 A (690 V, 100 kA), aM: 315 A (690 V, 50 kA), BS88: 400 A (415 V, 50 kA) gG: 10 A (500 V, 1 kA)
<b>Installation/ mounting/ dimensions</b>	
<b>mounting position</b>	with vertical mounting surface +/-90° rotatable, with vertical mounting surface +/- 22.5° tiltable to the front and back
fastening method side-by-side mounting	Yes
<b>fastening method</b>	screw fixing
<b>height</b>	210 mm
<b>width</b>	145 mm
<b>depth</b>	202 mm
<b>required spacing</b>	
<ul style="list-style-type: none"> <li>● with side-by-side mounting <ul style="list-style-type: none"> <li>— forwards</li> <li>— upwards</li> <li>— downwards</li> <li>— at the side</li> </ul> </li>   <li>● for grounded parts <ul style="list-style-type: none"> <li>— forwards</li> <li>— upwards</li> <li>— at the side</li> <li>— downwards</li> </ul> </li>   <li>● for live parts <ul style="list-style-type: none"> <li>— forwards</li> <li>— upwards</li> <li>— downwards</li> <li>— at the side</li> </ul> </li> </ul>	20 mm 10 mm 10 mm 0 mm  20 mm 10 mm 10 mm 10 mm  20 mm 10 mm 10 mm 10 mm
<b>Connections/ Terminals</b>	
<b>type of electrical connection</b>	
<ul style="list-style-type: none"> <li>● for main current circuit</li> <li>● for auxiliary and control circuit</li> <li>● at contactor for auxiliary contacts</li> <li>● of magnet coil</li> </ul>	Connection bar screw-type terminals Screw-type terminals Screw-type terminals
<b>width of connection bar</b>	25 mm
<b>thickness of connection bar</b>	6 mm
<b>diameter of holes</b>	11 mm
<b>number of holes</b>	1
<b>type of connectable conductor cross-sections</b>	
<ul style="list-style-type: none"> <li>● for AWG cables for main contacts</li> </ul>	2/0 ... 500 kcmil
<b>connectable conductor cross-section for main contacts</b>	
<ul style="list-style-type: none"> <li>● stranded</li> </ul>	70 ... 240 mm <sup>2</sup>
<b>connectable conductor cross-section for auxiliary contacts</b>	
<ul style="list-style-type: none"> <li>● solid or stranded</li> <li>● finely stranded with core end processing</li> </ul>	0.5 ... 4 mm <sup>2</sup> 0.5 ... 2.5 mm <sup>2</sup>
<b>type of connectable conductor cross-sections</b>	
<ul style="list-style-type: none"> <li>● for auxiliary contacts <ul style="list-style-type: none"> <li>— solid</li> <li>— solid or stranded</li> <li>— finely stranded with core end processing</li> </ul> </li>   <li>● for AWG cables for auxiliary contacts</li> </ul>	2x (0.5 ... 1.5 mm <sup>2</sup> ), 2x (0.75 ... 2.5 mm <sup>2</sup> ), max. 2x (0.75 ... 4 mm <sup>2</sup> ) 2x (0,5 ... 1,5 mm <sup>2</sup> ), 2x (0,75 ... 2,5 mm <sup>2</sup> ), max. 2x (0,75 ... 4 mm <sup>2</sup> ) 2x (0.5 ... 1.5 mm <sup>2</sup> ), 2x (0.75 ... 2.5 mm <sup>2</sup> ) 2x (20 ... 16), 2x (18 ... 14), 1x 12

AWG number as coded connectable conductor cross section for auxiliary contacts	18 ... 14
<b>Safety related data</b>	
<b>product function</b>	
• mirror contact according to IEC 60947-4-1	Yes
• positively driven operation according to IEC 60947-5-1	No
• suitable for safety function	Yes
suitability for use safety-related switching OFF	Yes
<b>service life maximum</b>	20 a
<b>test wear-related service life necessary</b>	Yes
<b>proportion of dangerous failures</b>	
• with low demand rate according to SN 31920	40 %
• with high demand rate according to SN 31920	73 %
<b>B10 value with high demand rate according to SN 31920</b>	1 000 000
<b>failure rate [FIT] with low demand rate according to SN 31920</b>	100 FIT
ISO 13849	
<b>device type according to ISO 13849-1</b>	3
<b>overdimensioning according to ISO 13849-2 necessary</b>	Yes
IEC 61508	
<b>safety device type according to IEC 61508-2</b>	Type A
Electrical Safety	
<b>protection class IP on the front according to IEC 60529</b>	IP00; IP20 with box terminal/cover
<b>touch protection on the front according to IEC 60529</b>	finger-safe, for vertical contact from the front with box terminal/cover
<b>Approvals Certificates</b>	
General Product Approval	



KC



EMV	Functional Safety	Test Certificates	Maritime application
-----	-------------------	-------------------	----------------------



[Type Examination Certificate](#)

[Type Test Certificates/Test Report](#)

[Special Test Certificate](#)



Maritime application	other
----------------------	-------



[Miscellaneous](#)



[Confirmation](#)

other	Railway	Environment
-------	---------	-------------

[Miscellaneous](#)

[Special Test Certificate](#)

[Environmental Confirmations](#)

#### Further information

Information on the packaging

<https://support.industry.siemens.com/cs/ww/en/view/109813875>

Information for data generation and storage

<https://support.industry.siemens.com/cs/ww/en/view/109995012>

Information- and Downloadcenter (Catalogs, Brochures,...)

<https://www.siemens.com/ic10>

Industry Mall (Online ordering system)

<https://mall.industry.siemens.com/mall/en/en/Catalog/product?mlfb=3RT1064-6LA06>

Cax online generator

<https://support.automation.siemens.com/WW/CAXorder/default.aspx?lang=en&mlfb=3RT1064-6LA06>

Service&Support (Manuals, Certificates, Characteristics, FAQs,...)

<https://support.industry.siemens.com/cs/ww/en/ps/3RT1064-6LA06>

Image database (product images, 2D dimension drawings, 3D models, device circuit diagrams, EPLAN macros, ...)

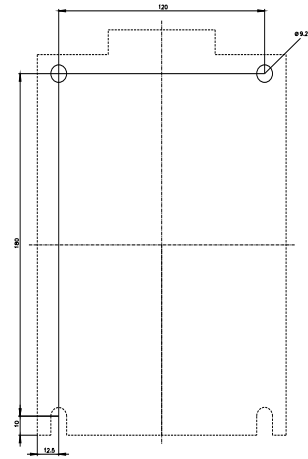
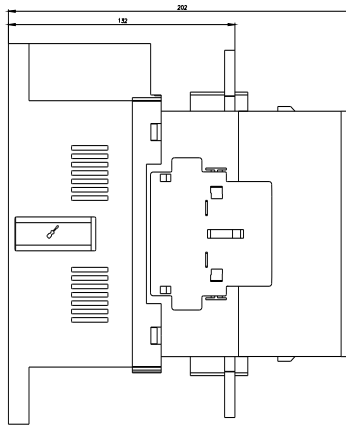
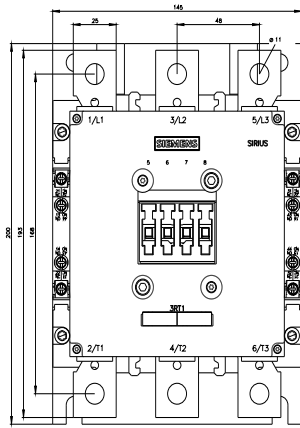
[https://www.automation.siemens.com/bilddb/cax\\_de.aspx?mlfb=3RT1064-6LA06&lang=en](https://www.automation.siemens.com/bilddb/cax_de.aspx?mlfb=3RT1064-6LA06&lang=en)

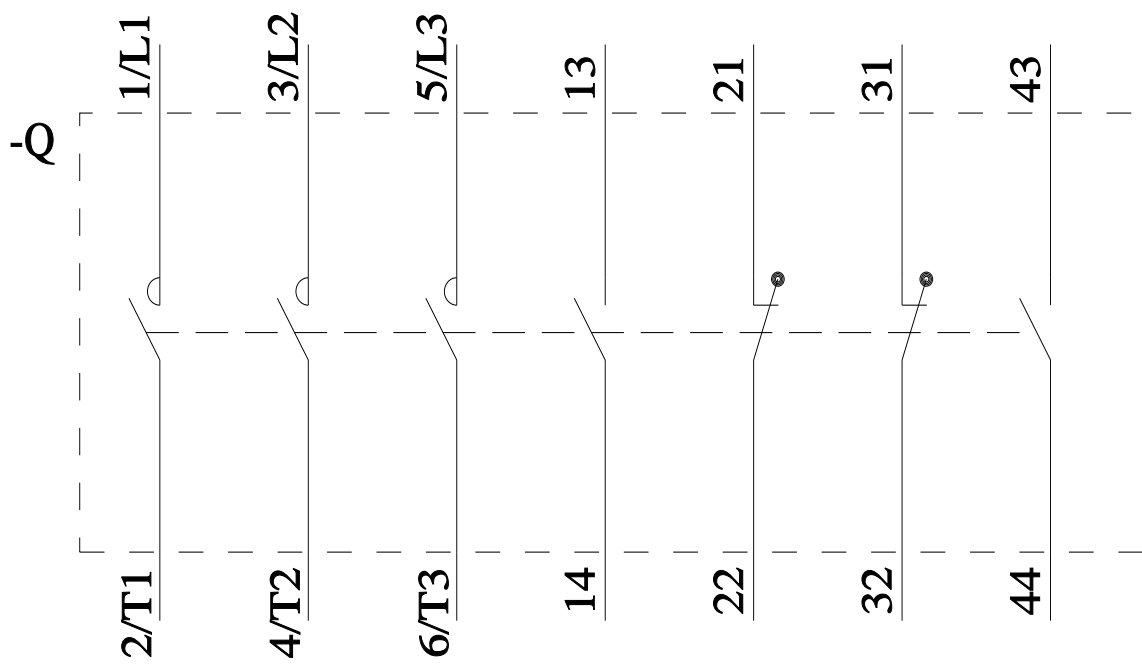
Characteristic: Tripping characteristics,  $I^2t$ , Let-through current

<https://support.industry.siemens.com/cs/ww/en/ps/3RT1064-6LA06/char>

Further characteristics (e.g. electrical endurance, switching frequency)

<https://www.automation.siemens.com/bilddb/index.aspx?view=Search&mlfb=3RT1064-6LA06&objecttype=14&gridview=view1>





last modified:

10/21/2025 