



power contactor, AC-3e/AC-3 115 A, 55 kW / 400 V, AC (50-60 Hz) / DC U_c: 21-27.3 V PLC input 24 V DC 3-pole, auxiliary contacts 2 NO + 2 NC drive: electronic main circuit: box terminal control and auxiliary circuit: spring-loaded terminal

product brand name	SIRIUS
product designation	Power contactor
product type designation	3RT1
General technical data	
size of contactor	S6
product extension	
• function module for communication	No
• auxiliary switch	Yes
power loss [W] for rated value of the current	
• at AC in hot operating state	21 W
• at AC in hot operating state per pole	7 W
• without load current share typical	2.8 W
type of calculation of power loss depending on pole	quadratic
insulation voltage	
• of main circuit with degree of pollution 3 rated value	1 000 V
• of auxiliary circuit with degree of pollution 3 rated value	500 V
surge voltage resistance	
• of main circuit rated value	8 kV
• of auxiliary circuit rated value	6 kV
maximum permissible voltage for protective separation between coil and main contacts according to EN 60947-1	690 V
shock resistance at rectangular impulse	
• at AC	8,5g / 5 ms, 4,2g / 10 ms
• at DC	8,5g / 5 ms, 4,2g / 10 ms
shock resistance with sine pulse	
• at AC	13,4g / 5 ms, 6,5g / 10 ms
• at DC	13,4g / 5 ms, 6,5g / 10 ms
mechanical service life (operating cycles)	
• of contactor typical	10 000 000
• of the contactor with added electronically optimized auxiliary switch block typical	5 000 000
• of the contactor with added auxiliary switch block typical	10 000 000
reference code according to IEC 81346-2	Q
Substance Prohibitance (Date)	05/01/2012
SVHC substance name	Lead - 7439-92-1 Lead monoxide (lead oxide) - 1317-36-8 2,2',6,6'-tetrabromo-4,4'-isopropylidenediphenol - 79-94-7 Perfluorobutane sulfonic acid (PFBS) and its salts - -
Weight	3.7 kg
Ambient conditions	
installation altitude at height above sea level maximum	2 000 m
ambient temperature	

<ul style="list-style-type: none"> during operation during storage 	-25 ... +60 °C
	-55 ... +80 °C
relative humidity minimum	10 %
relative humidity at 55 °C according to IEC 60068-2-30 maximum	95 %
Main circuit	
number of poles for main current circuit	3
number of NO contacts for main contacts	3
number of NC contacts for main contacts	0
operating voltage	
<ul style="list-style-type: none"> at AC-3 rated value maximum at AC-3e rated value maximum 	1 000 V
	1 000 V
operational current	
<ul style="list-style-type: none"> at AC-1 at 400 V at ambient temperature 40 °C rated value at AC-1 <ul style="list-style-type: none"> up to 690 V at ambient temperature 40 °C rated value up to 690 V at ambient temperature 60 °C rated value up to 1000 V at ambient temperature 40 °C rated value up to 1000 V at ambient temperature 60 °C rated value at AC-3 <ul style="list-style-type: none"> at 400 V rated value at 500 V rated value at 690 V rated value at 1000 V rated value at AC-3e <ul style="list-style-type: none"> at 400 V rated value at 500 V rated value at 690 V rated value at 1000 V rated value at AC-4 at 400 V rated value at AC-5a up to 690 V rated value at AC-5b up to 400 V rated value at AC-6a <ul style="list-style-type: none"> up to 230 V for current peak value n=20 rated value up to 400 V for current peak value n=20 rated value up to 500 V for current peak value n=20 rated value up to 690 V for current peak value n=20 rated value up to 1000 V for current peak value n=20 rated value at AC-6a <ul style="list-style-type: none"> up to 230 V for current peak value n=30 rated value up to 400 V for current peak value n=30 rated value up to 500 V for current peak value n=30 rated value up to 690 V for current peak value n=30 rated value up to 1000 V for current peak value n=30 rated value 	160 A
	160 A
	140 A
	80 A
	80 A
	115 A
	115 A
	115 A
	53 A
	115 A
	115 A
	115 A
	53 A
	97 A
	140 A
	95 A
	115 A
	115 A
	115 A
	115 A
	53 A
	98 A
	98 A
	98 A
	98 A
	53 A
minimum cross-section in main circuit at maximum AC-1 rated value	70 mm ²
operational current for approx. 200000 operating cycles at AC-4	
<ul style="list-style-type: none"> at 400 V rated value at 690 V rated value 	54 A
	48 A
operational current	
<ul style="list-style-type: none"> at 1 current path at DC-1 <ul style="list-style-type: none"> at 24 V rated value at 60 V rated value at 110 V rated value at 220 V rated value at 440 V rated value 	160 A
	160 A
	18 A
	3.4 A
	0.8 A

— at 600 V rated value	0.5 A
● with 2 current paths in series at DC-1	
— at 24 V rated value	160 A
— at 60 V rated value	160 A
— at 110 V rated value	160 A
— at 220 V rated value	20 A
— at 440 V rated value	3.2 A
— at 600 V rated value	1.6 A
● with 3 current paths in series at DC-1	
— at 24 V rated value	160 A
— at 60 V rated value	160 A
— at 110 V rated value	160 A
— at 220 V rated value	160 A
— at 440 V rated value	11.5 A
— at 600 V rated value	4 A
● at 1 current path at DC-3 at DC-5	
— at 24 V rated value	160 A
— at 60 V rated value	7.5 A
— at 220 V rated value	0.6 A
— at 440 V rated value	0.17 A
— at 600 V rated value	0.12 A
● with 2 current paths in series at DC-3 at DC-5	
— at 24 V rated value	160 A
— at 60 V rated value	160 A
— at 110 V rated value	160 A
— at 220 V rated value	2.5 A
— at 440 V rated value	0.65 A
— at 600 V rated value	0.37 A
● with 3 current paths in series at DC-3 at DC-5	
— at 24 V rated value	160 A
— at 60 V rated value	160 A
— at 110 V rated value	160 A
— at 220 V rated value	160 A
— at 440 V rated value	1.4 A
— at 600 V rated value	0.75 A
operating power	
● at AC-3	
— at 230 V rated value	37 kW
— at 400 V rated value	55 kW
— at 500 V rated value	75 kW
— at 690 V rated value	110 kW
— at 1000 V rated value	75 kW
● at AC-3e	
— at 230 V rated value	37 kW
— at 400 V rated value	55 kW
— at 500 V rated value	75 kW
— at 690 V rated value	110 kW
— at 1000 V rated value	75 kW
operating power for approx. 200000 operating cycles at AC-4	
● at 400 V rated value	29 kW
● at 690 V rated value	48 kW
operating apparent power at AC-6a	
● up to 230 V for current peak value n=20 rated value	40 kVA
● up to 400 V for current peak value n=20 rated value	80 kVA
● up to 500 V for current peak value n=20 rated value	100 kVA
● up to 690 V for current peak value n=20 rated value	130 kVA
● up to 1000 V for current peak value n=20 rated value	90 kVA
operating apparent power at AC-6a	
● up to 230 V for current peak value n=30 rated value	30 kVA
● up to 400 V for current peak value n=30 rated value	60 kVA

<ul style="list-style-type: none"> • up to 500 V for current peak value n=30 rated value • up to 690 V for current peak value n=30 rated value • up to 1000 V for current peak value n=30 rated value 	<p>80 kVA</p> <p>110 kVA</p> <p>90 kVA</p>
short-time withstand current in cold operating state up to 40 °C <ul style="list-style-type: none"> • limited to 1 s switching at zero current maximum • limited to 5 s switching at zero current maximum • limited to 10 s switching at zero current maximum • limited to 30 s switching at zero current maximum • limited to 60 s switching at zero current maximum 	<p>2 565 A; Use minimum cross-section acc. to AC-1 rated value</p> <p>1 654 A; Use minimum cross-section acc. to AC-1 rated value</p> <p>1 170 A; Use minimum cross-section acc. to AC-1 rated value</p> <p>729 A; Use minimum cross-section acc. to AC-1 rated value</p> <p>572 A; Use minimum cross-section acc. to AC-1 rated value</p>
no-load switching frequency <ul style="list-style-type: none"> • at AC • at DC 	<p>1 000 1/h</p> <p>1 000 1/h</p>
operating frequency <ul style="list-style-type: none"> • at AC-1 maximum • at AC-2 maximum • at AC-3 maximum • at AC-3e <ul style="list-style-type: none"> — maximum • at AC-4 maximum 	<p>800 1/h</p> <p>400 1/h</p> <p>1 000 1/h</p> <p>1 000 1/h</p> <p>130 1/h</p>
Control circuit/ Control	
type of voltage of the control supply voltage	AC/DC
control supply voltage at AC <ul style="list-style-type: none"> • at 50 Hz rated value • at 60 Hz rated value 	<p>21 ... 27.3 V</p> <p>21 ... 27.3 V</p>
control supply voltage at DC rated value	21 ... 27.3 V
operating range factor control supply voltage rated value of magnet coil at DC <ul style="list-style-type: none"> • initial value • full-scale value 	<p>0.8</p> <p>1.1</p>
operating range factor control supply voltage rated value of magnet coil at AC <ul style="list-style-type: none"> • at 50 Hz • at 60 Hz 	<p>0.8 ... 1.1</p> <p>0.8 ... 1.1</p>
type of PLC-control input according to IEC 60947-1	Type 2
consumed current at PLC-control input according to IEC 60947-1 maximum	20 mA
voltage at PLC-control input rated value	24 V
operating range factor of the voltage at PLC-control input	0.8 ... 1.1
design of the surge suppressor	with varistor
apparent pick-up power <ul style="list-style-type: none"> • at minimum rated control supply voltage at AC <ul style="list-style-type: none"> — at 50 Hz — at 60 Hz • at maximum rated control supply voltage at AC <ul style="list-style-type: none"> — at 60 Hz — at 50 Hz 	<p>190 VA</p> <p>190 VA</p> <p>280 VA</p> <p>280 VA</p>
apparent pick-up power of magnet coil at AC <ul style="list-style-type: none"> • at 50 Hz • at 60 Hz 	<p>280 VA</p> <p>280 VA</p>
inductive power factor with closing power of the coil <ul style="list-style-type: none"> • at 50 Hz • at 60 Hz 	<p>0.8</p> <p>0.8</p>
apparent holding power <ul style="list-style-type: none"> • at minimum rated control supply voltage at DC • at maximum rated control supply voltage at DC 	<p>2.1 VA</p> <p>2.8 VA</p>
apparent holding power <ul style="list-style-type: none"> • at minimum rated control supply voltage at AC <ul style="list-style-type: none"> — at 50 Hz — at 60 Hz • at maximum rated control supply voltage at AC <ul style="list-style-type: none"> — at 50 Hz 	<p>3.5 VA</p> <p>3.5 VA</p> <p>4.8 VA</p>

— at 60 Hz	4.8 VA
inductive power factor with the holding power of the coil	
• at 50 Hz	0.6
• at 60 Hz	0.6
closing power of magnet coil at DC	320 W
holding power of magnet coil at DC	2.8 W
closing delay	
• at AC	35 ... 75 ms
• at DC	35 ... 75 ms
opening delay	
• at AC	80 ... 90 ms
• at DC	80 ... 90 ms
arcing time	10 ... 15 ms
control version of the switch operating mechanism	PLC-IN or Standard A1 - A2 (adjustable)
Auxiliary circuit	
number of NC contacts for auxiliary contacts instantaneous contact	2
number of NO contacts for auxiliary contacts instantaneous contact	2
operational current at AC-12 maximum	10 A
operational current at AC-15	
• at 230 V rated value	6 A
• at 400 V rated value	3 A
• at 500 V rated value	2 A
• at 690 V rated value	1 A
operational current at DC-12	
• at 24 V rated value	10 A
• at 48 V rated value	6 A
• at 60 V rated value	6 A
• at 110 V rated value	3 A
• at 125 V rated value	2 A
• at 220 V rated value	1 A
• at 600 V rated value	0.15 A
operational current at DC-13	
• at 24 V rated value	10 A
• at 48 V rated value	2 A
• at 60 V rated value	2 A
• at 110 V rated value	1 A
• at 125 V rated value	0.9 A
• at 220 V rated value	0.3 A
• at 600 V rated value	0.1 A
contact reliability of auxiliary contacts	1 faulty switching per 100 million (17 V, 1 mA)
UL/CSA ratings	
full-load current (FLA) for 3-phase AC motor	
• at 480 V rated value	124 A
• at 600 V rated value	125 A
yielded mechanical performance [hp]	
• for single-phase AC motor	
— at 230 V rated value	25 hp
• for 3-phase AC motor	
— at 200/208 V rated value	40 hp
— at 220/230 V rated value	50 hp
— at 460/480 V rated value	100 hp
— at 575/600 V rated value	125 hp
contact rating of auxiliary contacts according to UL	A600 / Q600
Short-circuit protection	
design of the miniature circuit breaker for short-circuit protection of the auxiliary circuit up to 230 V	C characteristic: 10 A; 0.4 kA
design of the fuse link	
• for short-circuit protection of the main circuit	
— with type of coordination 1 required	gG: 355 A (690 V, 100 kA)

— with type of coordination 2 required

gG: 250 A (690 V, 100 kA), aM: 200 A (690 V, 50 kA), BS88: 250 A (415 V, 50 kA)

• for short-circuit protection of the auxiliary switch required

gG: 10 A (500 V, 1 kA)

Installation/ mounting/ dimensions

mounting position	with vertical mounting surface +/-90° rotatable, with vertical mounting surface +/- 22.5° tiltable to the front and back
fastening method side-by-side mounting	Yes
fastening method	screw fixing
height	172 mm
width	120 mm
depth	170 mm
required spacing	
<ul style="list-style-type: none"> • with side-by-side mounting <ul style="list-style-type: none"> — forwards 20 mm — upwards 10 mm — downwards 10 mm — at the side 0 mm • for grounded parts <ul style="list-style-type: none"> — forwards 20 mm — upwards 10 mm — at the side 10 mm — downwards 10 mm • for live parts <ul style="list-style-type: none"> — forwards 20 mm — upwards 10 mm — downwards 10 mm — at the side 10 mm 	

Connections/ Terminals

type of electrical connection	
<ul style="list-style-type: none"> • for main current circuit • for auxiliary and control circuit • at contactor for auxiliary contacts • of magnet coil 	box terminal spring-loaded terminals Spring-type terminals Spring-type terminals
type of connectable conductor cross-sections	
<ul style="list-style-type: none"> • for main contacts <ul style="list-style-type: none"> — stranded max. 1x 50, 1x 70 mm² — solid or stranded max. 1x 50, 1x 70 mm² — finely stranded with core end processing max. 1x 50, 1x 70 mm² — finely stranded without core end processing max. 1x 50, 1x 70 mm² • for AWG cables for main contacts 2x 1/0 	
connectable conductor cross-section for main contacts	
<ul style="list-style-type: none"> • stranded 16 ... 70 mm² • finely stranded with core end processing 16 ... 70 mm² • finely stranded without core end processing 16 ... 70 mm² 	
connectable conductor cross-section for auxiliary contacts	
<ul style="list-style-type: none"> • solid or stranded 0.25 ... 2.5 mm² • finely stranded with core end processing 0.25 ... 1.5 mm² • finely stranded without core end processing 0.25 ... 2.5 mm² 	
type of connectable conductor cross-sections	
<ul style="list-style-type: none"> • for auxiliary contacts <ul style="list-style-type: none"> — solid 2x (0.25 ... 2.5 mm²) — solid or stranded 2x (0,25 ... 2,5 mm²) — finely stranded with core end processing 2x (0.25 ... 1.5 mm²) — finely stranded without core end processing 2x (0.25 ... 2.5 mm²) • for AWG cables for auxiliary contacts 2x (24 ... 14) 	
AWG number as coded connectable conductor cross section for auxiliary contacts	24 ... 14

Safety related data

product function	
<ul style="list-style-type: none"> • mirror contact according to IEC 60947-4-1 • positively driven operation according to IEC 60947-5-1 	Yes No

• suitable for safety function	Yes
suitability for use safety-related switching OFF	Yes; safety-related disconnection via A1 A2
service life maximum	20 a
test wear-related service life necessary	Yes
proportion of dangerous failures	
• with low demand rate according to SN 31920	40 %
• with high demand rate according to SN 31920	73 %
B10 value with high demand rate according to SN 31920	1 000 000
failure rate [FIT] with low demand rate according to SN 31920	100 FIT
ISO 13849	
device type according to ISO 13849-1	3
overdimensioning according to ISO 13849-2 necessary	Yes
IEC 61508	
safety device type according to IEC 61508-2	Type A
Electrical Safety	
protection class IP on the front according to IEC 60529	IP20
touch protection on the front according to IEC 60529	finger-safe, for vertical contact from the front
Approvals Certificates	
General Product Approval	



KC



EMV	Functional Safety	Test Certificates	Maritime application
-----	-------------------	-------------------	----------------------



[Type Examination Certificate](#)

[Type Test Certificates/Test Report](#)

[Special Test Certificate](#)



Maritime application	other
----------------------	-------



[Confirmation](#)

[Miscellaneous](#)

other	Railway	Environment
-------	---------	-------------

[Miscellaneous](#)

[Confirmation](#)

[Special Test Certificate](#)

[Environmental Confirmations](#)

Further information

Information on the packaging

<https://support.industry.siemens.com/cs/ww/en/view/109813875>

Information for data generation and storage

<https://support.industry.siemens.com/cs/ww/en/view/109995012>

Information- and Downloadcenter (Catalogs, Brochures,...)

<https://www.siemens.com/ic10>

Industry Mall (Online ordering system)

<https://mall.industry.siemens.com/mall/en/en/Catalog/product?mlfb=3RT1054-3NB36>

Cax online generator

<https://support.automation.siemens.com/WW/CAXorder/default.aspx?lang=en&mlfb=3RT1054-3NB36>

Service&Support (Manuals, Certificates, Characteristics, FAQs,...)

<https://support.industry.siemens.com/cs/ww/en/ps/3RT1054-3NB36>

Image database (product images, 2D dimension drawings, 3D models, device circuit diagrams, EPLAN macros, ...)

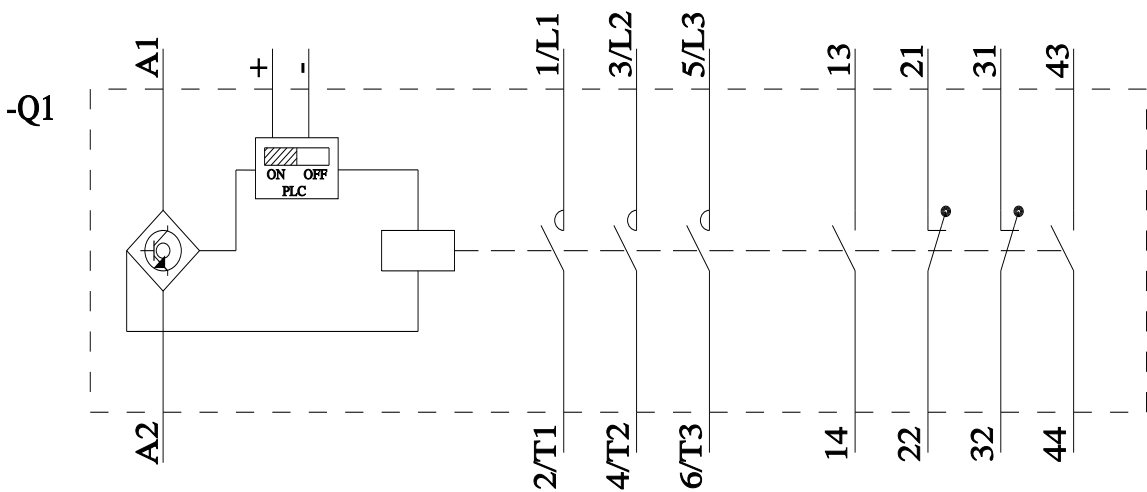
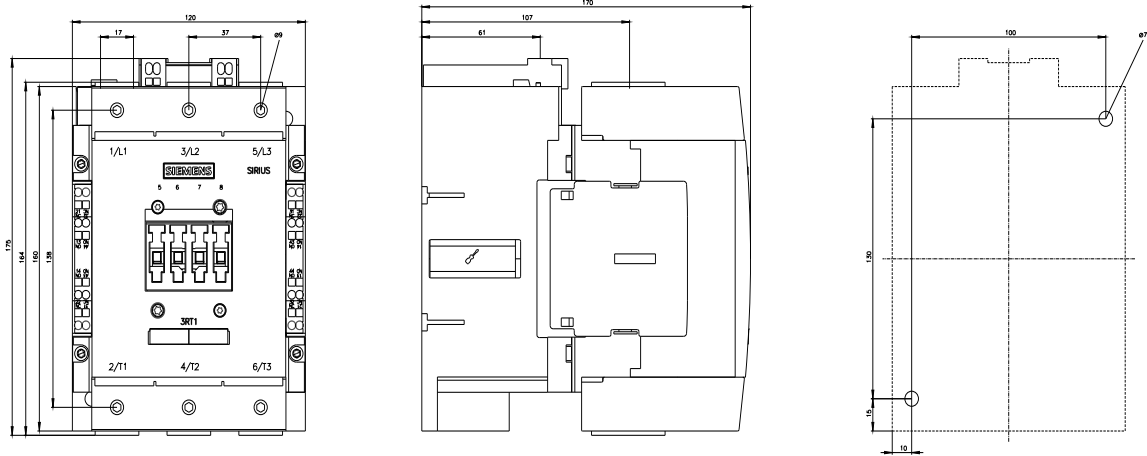
https://www.automation.siemens.com/bilddb/cax_de.aspx?mlfb=3RT1054-3NB36&lang=en

Characteristic: Tripping characteristics, I_t, Let-through current

<https://support.industry.siemens.com/cs/ww/en/ps/3RT1054-3NB36/char>

Further characteristics (e.g. electrical endurance, switching frequency)

<https://www.automation.siemens.com/bilddb/index.aspx?view=Search&mlfb=3RT1054-3NB36&objecttype=14&gridview=view1>



last modified:

10/21/2025 