





connecting comb 8-pole (only suitable for signal converter SIRIUS 3RS7 and coupling relay SIRIUS 3RQ3)



product brand name	SIRIUS		
product category	Connecting combs		
product designation	Connecting comb		
design of the product	For linking the same potentials, current carrying capacity for infeed max. 6 A/8-pole		
product type designation	3RQ3		
<b>General technical data</b>			
display version LED	No		
product component	No		
• semi-conductor output	No		
flammability class of enclosure material	UL94 V-0		
reference code according to IEC 81346-2	X		
Substance Prohibitance (Date)	03/25/2015		
Weight	0.002 kg		
<b>Mechanical data</b>			
product component plug-in socket	No		
<b>Connections/ Terminals</b>			
product function removable terminal	No		
<b>Installation/ mounting/ dimensions</b>			
height	3.3 mm		
width	50 mm		
depth	11 mm		
<b>Ambient conditions</b>			
ambient temperature	-25 ... +60 °C		
• during operation	-25 ... +60 °C		
• during storage	-40 ... +85 °C		
• during transport	-40 ... +85 °C		
<b>Approvals Certificates</b>			
General Product Approval	EMV	other	
			
CSA	EG-Konf.		
		<a href="#">KC</a>	<a href="#">Confirmation</a>
other	Environment		



[Environmental Con-  
firmations](#)

#### Further information

**Information on the packaging**

<https://support.industry.siemens.com/cs/ww/en/view/109813875>

**Information for data generation and storage**

<https://support.industry.siemens.com/cs/ww/en/view/109995012>

**Information- and Downloadcenter (Catalogs, Brochures,...)**

<https://www.siemens.com/ic10>

**Industry Mall (Online ordering system)**

<https://mall.industry.siemens.com/mall/en/en/Catalog/product?mlfb=3RQ3901-0C>

**Cax online generator**

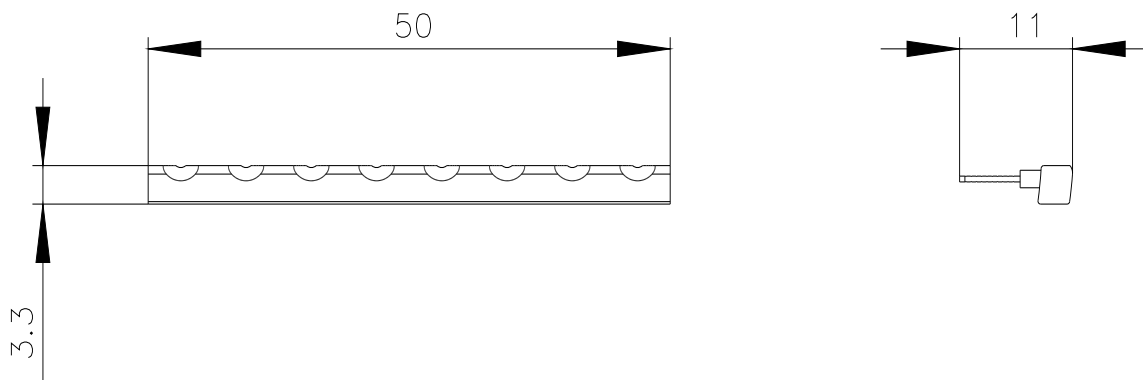
<https://support.automation.siemens.com/WW/CAXorder/default.aspx?lang=en&mlfb=3RQ3901-0C>

**Service&Support (Manuals, Certificates, Characteristics, FAQs,...)**

<https://support.industry.siemens.com/cs/ww/en/ps/3RQ3901-0C>

**Image database (product images, 2D dimension drawings, 3D models, device circuit diagrams, EPLAN macros, ...)**

[https://www.automation.siemens.com/bilddb/cax\\_de.aspx?mlfb=3RQ3901-0C&lang=en](https://www.automation.siemens.com/bilddb/cax_de.aspx?mlfb=3RQ3901-0C&lang=en)



last modified:

4/1/2025