



Positively driven coupling relay in industrial enclosure 1 NO contact / 1 NC contact
24 V to 240 V AC/DC SIL 2 / PL c Spring-type terminals (push-in)

product brand name	SIRIUS
product designation	force-guided coupling relay
design of the product	fail-safe up to SIL 2/PL c
product type designation	3RQ1
General technical data	
product feature protective coating on printed-circuit board	No
consumed active power	1.7 W
insulation voltage for overvoltage category III according to IEC 60664 with degree of pollution 3 rated value	300 V
degree of pollution	3
surge voltage resistance rated value	4 kV
shock resistance	
• according to IEC 60068-2-27	11g / 15 ms
vibration resistance	
• according to IEC 60068-2-6	10 ... 55 Hz: 0.35 mm
operating frequency maximum	360 1/h
switching behavior	monostable
mechanical service life (operating cycles) typical	10 000 000
thermal current of the switching element with contacts maximum	5 A
reference code according to IEC 81346-2	K
Substance Prohibitance (Date)	05/31/2018
SVHC substance name	Lead - 7439-92-1 Lead monoxide (lead oxide) - 1317-36-8 2,2',6,6'-tetrabromo-4,4'-isopropylidenediphenol - 79-94-7 6,6'-di-tert-butyl-2,2'-methylenedi-p-cresol - 119-47-1 2-methyl-1-(4-methylthiophenyl)-2-morpholinopropan-1-one - 71868-10-5
Weight	0.135 kg
Product Function	
suitability for operation device connector 3ZY12	No
Control circuit/ Control	
control supply voltage at AC	
• at 50 Hz	24 ... 240 V
• at 60 Hz	24 ... 240 V
control supply voltage at DC	24 ... 240 V
operating range factor control supply voltage rated value at DC	
• initial value	0.7
• full-scale value	1.1
operating range factor control supply voltage rated value at AC at 50 Hz	
• initial value	0.85

• full-scale value	1.1
operating range factor control supply voltage rated value at AC at 60 Hz	
• initial value	0.85
• full-scale value	1.1
ON-delay time	
• at AC maximum	50 ms
• at DC maximum	50 ms
OFF-delay time maximum	70 ms
Switching Function	
design of the switching function	NC contact and NO contact
Mechanical data	
product component plug-in socket	No
Short-circuit protection	
design of the fuse link for short-circuit protection of the auxiliary switch required	NO: fuse gL/gG: 6 A; NC: fuse gL/gG: 4 A
Auxiliary circuit	
material of switching contacts	AgNi + Au flash
number of NC contacts for auxiliary contacts	1
number of NO contacts for auxiliary contacts	1
number of CO contacts for auxiliary contacts	0
type of voltage	AC/DC
Inputs/ Outputs	
output current minimum	1 mA
ampacity of the output relay at AC-15	
• at 250 V at 50/60 Hz	2 A
ampacity of the output relay at DC-13	
• at 24 V	2 A
• at 125 V	0.2 A
• at 250 V	0.1 A
Electromagnetic compatibility	
EMC emitted interference according to IEC 60947-1	ambience A (industrial sector)
EMC immunity according to IEC 60947-1	corresponds to degree of severity 3
conducted interference	
• due to burst according to IEC 61000-4-4	2 kV
• due to conductor-earth surge according to IEC 61000-4-5	2 kV (line to ground)
• due to conductor-conductor surge according to IEC 61000-4-5	1 kV (line to line)
field-based interference according to IEC 61000-4-3	10 V/m
electrostatic discharge according to IEC 61000-4-2	4 kV contact discharging, 8 kV air discharging
Display	
product component LED	Yes
Safety related data	
product function	
• positively driven operation according to IEC 60947-5-1	Yes
suitability for use	
• safety-related switching on	No
• safety-related switching OFF	Yes
safe state	safe shutdown
test wear-related service life necessary	Yes
stop category according to IEC 60204-1	0
MTTFd	470 a
IEC 62061	
Safety Integrity Level (SIL)	
• according to IEC 62061	SIL 2
ISO 13849	
performance level (PL) according to ISO 13849-1	PL c
category according to ISO 13849-1	1
device type according to ISO 13849-1	1
overdimensioning according to ISO 13849-2 necessary	No
IEC 61508	

Safety Integrity Level (SIL) according to IEC 61508	SIL 2
safety device type according to IEC 61508-2	Type A
PFHD with high demand rate according to IEC 61508	4E-7 1/h
PFDAvg with low demand rate according to IEC 61508	0.002
Safe failure fraction (SFF)	85 %
hardware fault tolerance according to IEC 61508	0
T1 value of service life according to IEC 61508	20 a

Connections/ Terminals

product component removable terminal for auxiliary and control circuit	Yes
type of electrical connection	spring-loaded terminal (push-in)
wire length at DC maximum	2 000 m
type of connectable conductor cross-sections	
• solid	1x (0.5 ... 4 mm ²)
• finely stranded with core end processing	1x (0.5 ... 2.5 mm ²)
• for AWG cables solid	1x (20 ... 12)
connectable conductor cross-section	
• solid	0.5 ... 4 mm ²
• finely stranded with core end processing maximum	2.5 mm ²
• finely stranded without core end processing minimum	0.5 mm ²
AWG number as coded connectable conductor cross section	
• solid	12 ... 20
• stranded	12 ... 20
stripped length of the cable for auxiliary and control contacts	10 mm

Installation/ mounting/ dimensions

mounting position	any
fastening method	screw and snap-on mounting onto 35 mm DIN rail
height	100 mm
width	17.5 mm
depth	90 mm

Ambient conditions

installation altitude at height above sea level maximum	2 000 m
ambient temperature	
• during operation	-25 ... +60 °C
• during storage	-40 ... +80 °C
• during transport	-40 ... +80 °C
relative humidity during operation	10 ... 95 %

Approvals Certificates

General Product Approval



[TUEV](#)

EMV	Maritime application	other	Railway	Environment
-----	----------------------	-------	---------	-------------



[Confirmation](#)

[Confirmation](#)

[Environmental Confirmations](#)

Further information

Information on the packaging

<https://support.industry.siemens.com/cs/ww/en/view/109813875>

Information for data generation and storage

<https://support.industry.siemens.com/cs/ww/en/view/109995012>

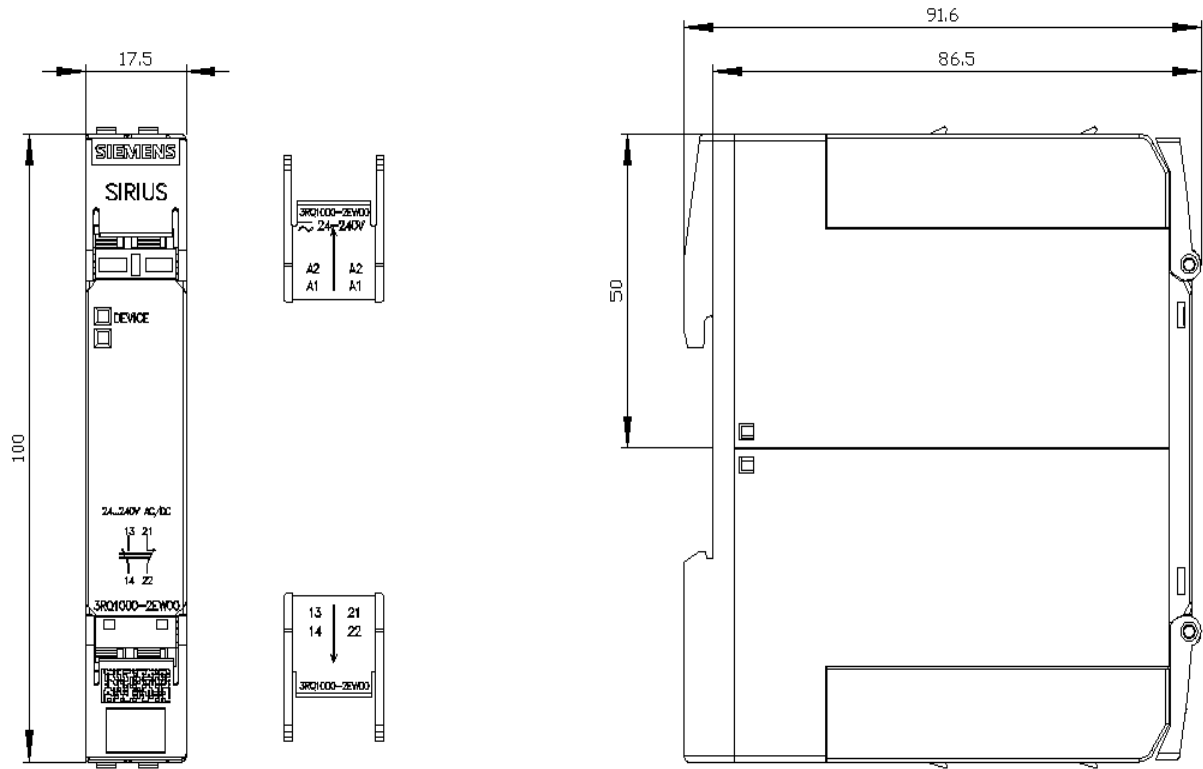
Information- and Downloadcenter (Catalogs, Brochures,...)

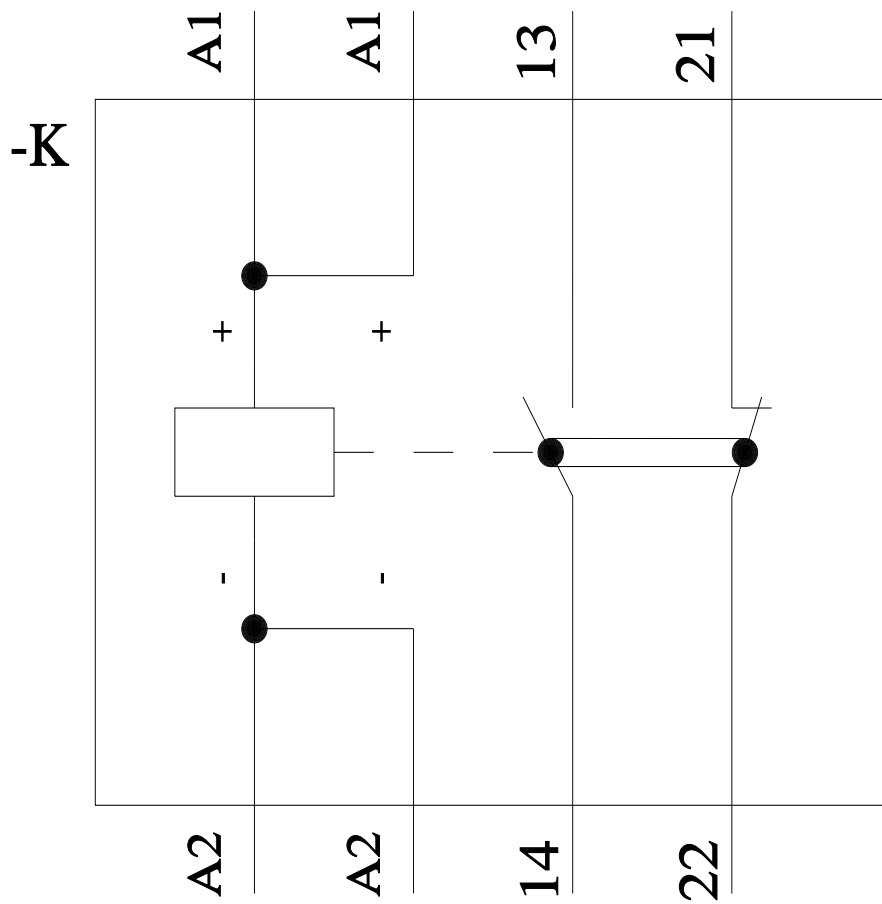
<https://www.siemens.com/ic10>

Industry Mall (Online ordering system)

<https://mall.industry.siemens.com/mall/en/en/Catalog/product?mlfb=3RQ1000-2EW00>

Cax online generator





last modified:

10/22/2025 