



Timing relay, electronic with star-delta (wye-delta) function 1 NO delayed 1 NO instantaneous 1 time range, 1...20 s 12-240 V AC/DC at 50/60 Hz AC screw terminal

| | |
|---|--|
| product brand name | SIRIUS |
| product designation | timing relay |
| design of the product | Star-delta (wye-delta) function |
| product type designation | 3RP25 |
| General technical data | |
| product feature protective coating on printed-circuit board | No |
| product component | |
| • relay output | Yes |
| • semi-conductor output | No |
| product extension required remote control | No |
| product extension optional remote control | No |
| power loss [W] maximum | 2 W |
| insulation voltage for overvoltage category III according to IEC 60664 with degree of pollution 3 rated value | 300 V |
| test voltage for isolation test | 2.5 kV |
| degree of pollution | 3 |
| surge voltage resistance rated value | 4 000 V |
| shock resistance according to IEC 60068-2-27 | 11g / 15 ms |
| vibration resistance according to IEC 60068-2-6 | 10 ... 55 Hz / 0.35 mm |
| mechanical service life (operating cycles) typical | 10 000 000 |
| electrical endurance (operating cycles) at AC-15 at 230 V typical | 100 000 |
| adjustable time | 1 ... 20 s |
| relative setting accuracy relating to full-scale value | 5 %; +/- |
| thermal current | 5 A |
| recovery time | 250 ms |
| reference code according to IEC 81346-2 | K |
| relative repeat accuracy | 1 %; +/- |
| influence of the surrounding temperature | 1% in the whole temperature range to the set runtime |
| power supply influence | 1% in the whole voltage range to the set runtime |
| Substance Prohibitance (Date) | 09/12/2014 |
| SVHC substance name | Lead - 7439-92-1 Lead monoxide (lead oxide) - 1317-36-8 6,6'-di-tert-butyl-2,2'-methylenedi-p-cresol - 119-47-1 2-methyl-1-(4-methylthiophenyl)-2-morpholinopropan-1-one - 71868-10-5 |
| Weight | 152 g |
| Control circuit/ Control | |
| type of voltage of the control supply voltage | AC/DC |
| control supply voltage 1 at AC | |
| • at 50 Hz | 12 ... 240 V |
| • at 60 Hz | 12 ... 240 V |
| control supply voltage frequency 1 | 50 ... 60 Hz |

| | |
|---|-----------------|
| control supply voltage 1 at DC | 12 ... 240 V |
| operating range factor control supply voltage rated value at DC | |
| • initial value | 0.8 |
| • full-scale value | 1.1 |
| operating range factor control supply voltage rated value at AC at 50 Hz | |
| • initial value | 0.8 |
| • full-scale value | 1.1 |
| operating range factor control supply voltage rated value at AC at 60 Hz | |
| • initial value | 0.8 |
| • full-scale value | 1.1 |
| inrush current peak | |
| • at 24 V | 0.5 A |
| • at 240 V | 5 A |
| duration of inrush current peak | |
| • at 24 V | 0.4 ms |
| • at 240 V | 0.5 ms |
| Switching Function | |
| switching function | |
| • ON-delay | No |
| • ON-delay/instantaneous contact | No |
| • passing make contact | No |
| • passing make contact/instantaneous contact | No |
| • OFF delay | No |
| switching function | |
| • flashing symmetrically with interval start/instantaneous | No |
| • flashing symmetrically with interval start | No |
| • flashing symmetrically with pulse start/instantaneous | No |
| • flashing symmetrically with pulse start | No |
| • flashing asymmetrically with interval start | No |
| • flashing asymmetrically with pulse start | No |
| switching function | |
| • star-delta circuit with delay time | No |
| • star-delta circuit | Yes |
| switching function with control signal | |
| • additive ON-delay | No |
| • passing break contact | No |
| • passing break contact/instantaneous | No |
| • OFF delay | No |
| • OFF delay/instantaneous | No |
| • pulse delayed | No |
| • pulse delayed/instantaneous | No |
| • pulse-shaping | No |
| • pulse-shaping/instantaneous | No |
| • additive ON-delay/instantaneous | No |
| • ON-delay/OFF-delay/instantaneous | No |
| • passing make contact | No |
| • passing make contact/instantaneous contact | No |
| switching function of interval relay with control signal | |
| • retrotriggerable with deactivated control signal/instantaneous contact | No |
| • retrotriggerable with switched-on control signal | No |
| • retrotriggerable with switched-on control signal/instantaneous contact | No |
| • retriggerable with deactivated control signal | No |
| Short-circuit protection | |
| design of the fuse link for short-circuit protection of the auxiliary switch required | fuse gL/gG: 4 A |
| Auxiliary circuit | |
| material of switching contacts | AgSnO2 |

| | |
|---|--|
| number of NC contacts | |
| • delayed switching | 0 |
| • instantaneous contact | 0 |
| number of NO contacts | |
| • delayed switching | 1 |
| • instantaneous contact | 1 |
| number of CO contacts | |
| • delayed switching | 0 |
| • instantaneous contact | 0 |
| operational current of auxiliary contacts at AC-15 | |
| • at 24 V | 3 A |
| • at 250 V | 3 A |
| operational current of auxiliary contacts at DC-13 | |
| • at 24 V | 1 A |
| • at 125 V | 0.2 A |
| • at 250 V | 0.1 A |
| operating frequency with 3RT2 contactor maximum | 5 000 1/h |
| contact reliability of auxiliary contacts | one incorrect switching operation of 100 million switching operations (17 V, 5 mA) |
| contact rating of auxiliary contacts according to UL | R300 / B300 |
| switching capacity current with inductive load | 0.01 ... 3 A |
| Inputs/ Outputs | |
| product function | |
| • at the relay outputs switchover delayed/without delay | No |
| • non-volatile | No |
| Electromagnetic compatibility | |
| EMC emitted interference according to IEC 61812-1 | ambience A (industrial sector) |
| EMC immunity according to IEC 61812-1 | corresponds to degree of severity 3 |
| conducted interference | |
| • due to burst according to IEC 61000-4-4 | 2 kV network connection / 1 kV control connection |
| • due to conductor-earth surge according to IEC 61000-4-5 | 2 kV |
| • due to conductor-conductor surge according to IEC 61000-4-5 | 1 kV |
| field-based interference according to IEC 61000-4-3 | 10 V/m |
| electrostatic discharge according to IEC 61000-4-2 | 4 kV contact discharge / 8 kV air discharge |
| Safety related data | |
| category according to EN 954-1 | none |
| Electrical Safety | |
| protection class IP on the front according to IEC 60529 | IP20 |
| type of insulation | Basic insulation |
| Connections/ Terminals | |
| product component removable terminal for auxiliary and control circuit | Yes |
| type of electrical connection for auxiliary and control circuit | screw-type terminals |
| type of connectable conductor cross-sections | |
| • solid | 1x (0.5 ... 4 mm ²), 2x (0.5 ... 2.5 mm ²) |
| • finely stranded with core end processing | 1x (0.5 ... 4 mm ²), 2x (0.5 ... 1.5 mm ²) |
| • for AWG cables solid | 1x (20 ... 12), 2x (20 ... 14) |
| • for AWG cables stranded | 1x (20 ... 12), 2x (20 ... 14) |
| connectable conductor cross-section | |
| • solid | 0.5 ... 4 mm ² |
| • finely stranded with core end processing | 0.5 ... 4 mm ² |
| AWG number as coded connectable conductor cross section | |
| • solid | 20 ... 12 |
| • stranded | 20 ... 14 |
| tightening torque | 0.6 ... 0.8 N·m |
| design of the thread of the connection screw | M3 |
| Installation/ mounting/ dimensions | |
| mounting position | any |
| fastening method | screw and snap-on mounting onto 35 mm DIN rail |
| height | 100 mm |

| | |
|---|---------|
| width | 22.5 mm |
| depth | 90 mm |
| required spacing | |
| <ul style="list-style-type: none"> • with side-by-side mounting <ul style="list-style-type: none"> — forwards 0 mm — backwards 0 mm — upwards 0 mm — downwards 0 mm — at the side 0 mm • for grounded parts <ul style="list-style-type: none"> — forwards 0 mm — backwards 0 mm — upwards 0 mm — at the side 0 mm — downwards 0 mm • for live parts <ul style="list-style-type: none"> — forwards 0 mm — backwards 0 mm — upwards 0 mm — downwards 0 mm — at the side 0 mm | |

| | |
|---|-------------|
| Ambient conditions | |
| installation altitude at height above sea level maximum | 2 000 m |
| ambient temperature | |
| <ul style="list-style-type: none"> • during operation -25 ... +60 °C • during storage -40 ... +85 °C • during transport -40 ... +85 °C | |
| relative humidity during operation | 10 ... 95 % |

Approvals Certificates

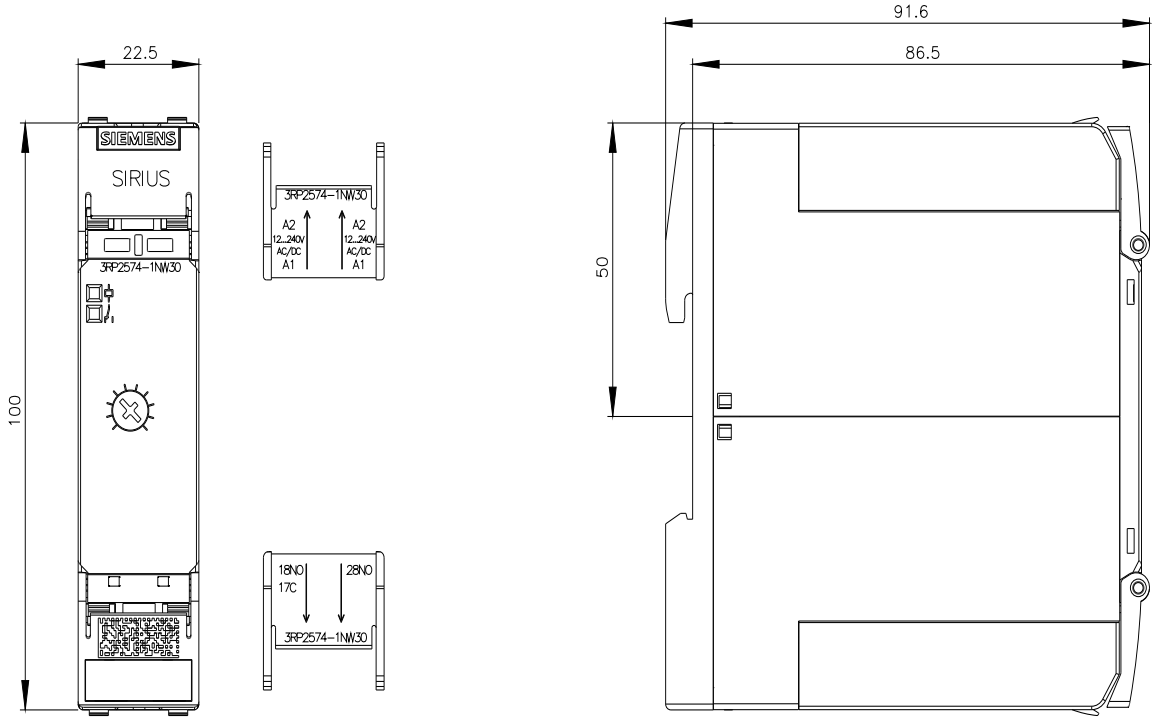
| | |
|---|------------|
| General Product Approval | EMV |
|       | |

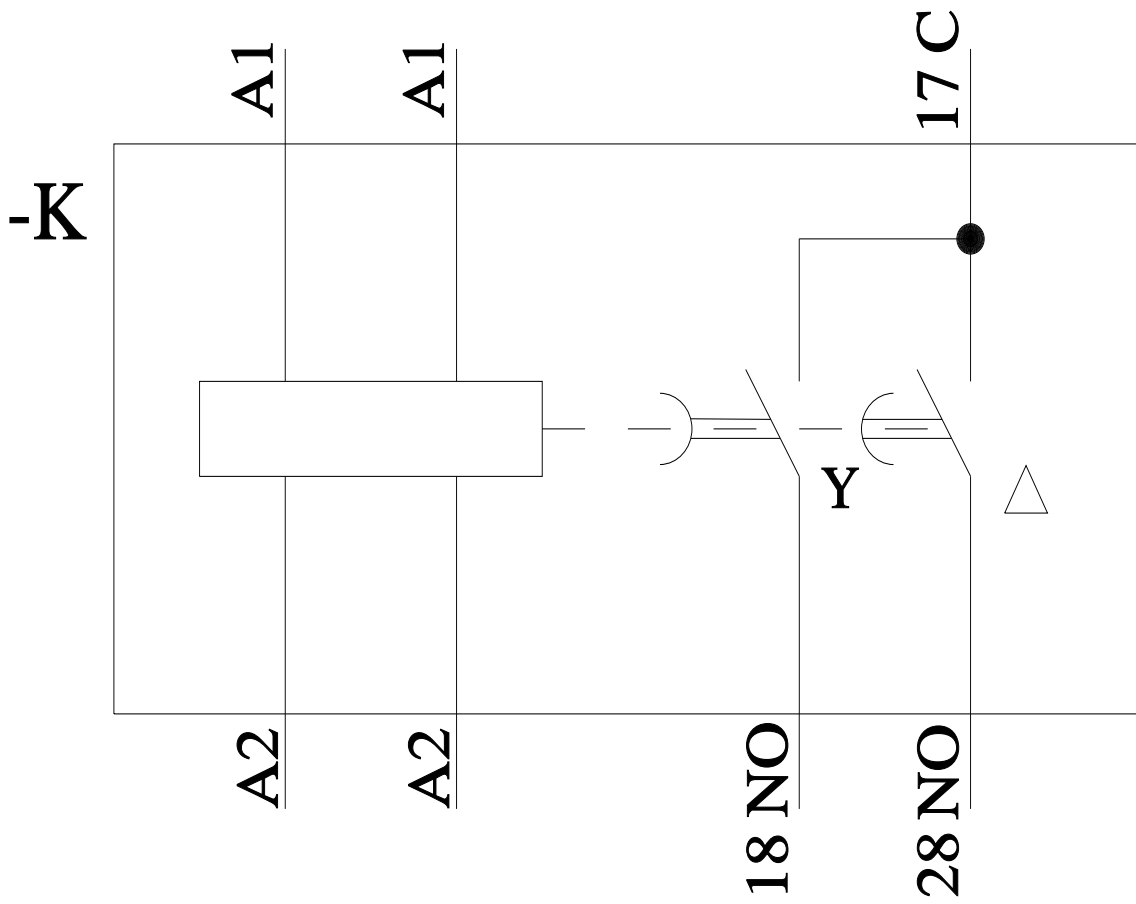
| | | |
|--------------------|--|---|
| EMV | Test Certificates | Maritime application |
| KC | Type Test Certificates/Test Report |     |

| | | |
|---|---|---|
| Maritime application | other | Environment |
|   |  | Confirmation Environmental Confirmations |

Further information

Information on the packaging
<https://support.industry.siemens.com/cs/ww/en/view/109813875>
Information for data generation and storage
<https://support.industry.siemens.com/cs/ww/en/view/109995012>
Information- and Downloadcenter (Catalogs, Brochures,...)
<https://www.siemens.com/ic10>
Industry Mall (Online ordering system)
<https://mall.industry.siemens.com/mall/en/en/Catalog/product?mlfb=3RP2574-1NW30>
Cax online generator
<https://support.automation.siemens.com/WW/CAXorder/default.aspx?lang=en&mlfb=3RP2574-1NW30>
Service&Support (Manuals, Certificates, Characteristics, FAQs,...)
<https://support.industry.siemens.com/cs/ww/en/ps/3RP2574-1NW30>





last modified:

9/5/2025 