




Memory module for 3RK3, 3SK2 and 3SU1 PROFINET



General technical data

product brand name	SIRIUS
product category	Further accessories
product designation	Memory module
design of the product	For storage of configuration data for 3RK and 3SK2
reference code according to DIN 40719 extended according to IEC 204-2 according to IEC 750	A

Certificates/ approvals

General Product Approval	Functional Safety	Test Certificates	other
			Miscellaneous
		Type Test Certificates/Test Report	Confirmation

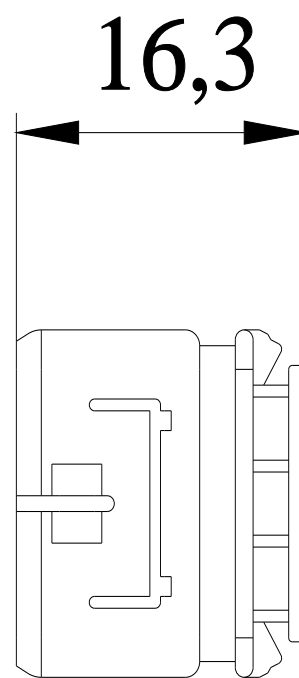
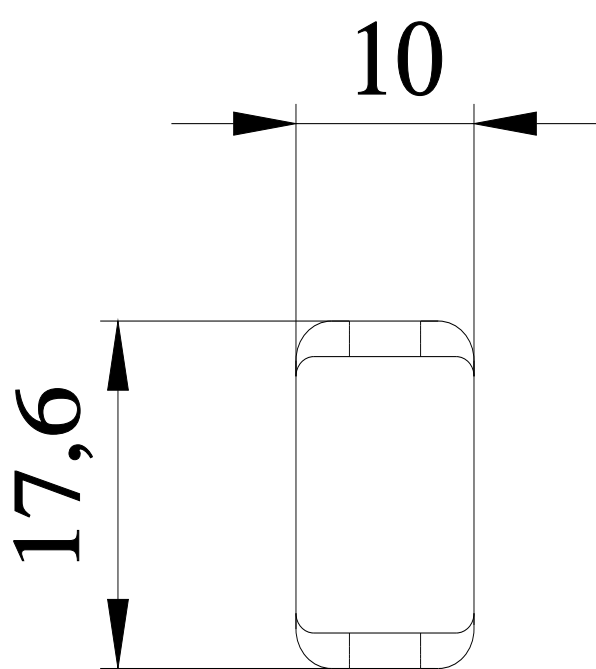
other Environment



[Environmental Confirmations](#)

Further information

- Information on the packaging
<https://support.industry.siemens.com/cs/ww/en/view/109813875>
- Information for data generation and storage
<https://support.industry.siemens.com/cs/ww/en/view/109995012>
- Information- and Downloadcenter (Catalogs, Brochures,...)
<https://www.siemens.com/ic10>
- Industry Mall (Online ordering system)
<https://mall.industry.siemens.com/mall/en/en/Catalog/product?mlfb=3RK3931-0AA00>
- Cax online generator
<https://support.automation.siemens.com/WW/CAXorder/default.aspx?lang=en&mlfb=3RK3931-0AA00>
- Service&Support (Manuals, Certificates, Characteristics, FAQs,...)
<https://support.industry.siemens.com/cs/ww/en/ps/3RK3931-0AA00>
- Image database (product images, 2D dimension drawings, 3D models, device circuit diagrams, EPLAN macros, ...)
https://www.automation.siemens.com/bilddb/cax_de.aspx?mlfb=3RK3931-0AA00&lang=en



last modified:

4/2/2025 