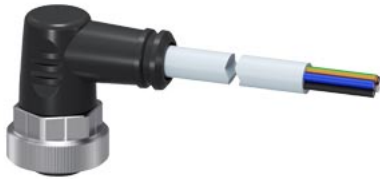


Power line 7/8" for 24 V connected and unconnected assembled with 1 x 7/8" angled on one side, 1.5 mm² Socket, 5-pole, Length 5.0 m



General technical data		
product description		7/8" socket, angled
wire length	m	5
General technical data		
ampacity per pin maximum	A	8
operating voltage		
• 1		
— at DC maximum	V	230
— at AC maximum	V	230
• 2		
— at DC maximum	V	400
— at AC maximum	V	400
surge voltage resistance rated value	kV	3
Mechanical data		
number of electrical cores		5
type of cable outlet		angled
number of poles		5
color		
• of cable sheath		gray
• of the insulation of data wires		black, blue, green yellow, brown, white
material		
• of cable sheath		Polyurethane
• of the wire insulation		polypropylene (PP)
• of the enclosure		polyurethane
design of the shield		unshielded
type of strain relief		molded
bending radius		
• with single bend minimum permissible	mm	65.25
• with multiple bends minimum permissible	mm	87
number of bending cycles		5 000 000
mechanical service life (mating cycles)		100
outer diameter		
• of the wire insulation	mm	2.3
• of inner conductor	mm	84
• of the cable	mm	8.7
symmetrical tolerance of the outer diameter of the cable	mm	0.2
type of connectable conductor cross-sections stranded		5 x 1.5 mm ²
type of plug interlock		7/8 thread
cable end components		open on one side
Ambient conditions		

ambient temperature <ul style="list-style-type: none"> during storage during operation 	°C	-25 ... +80
	°C	80 ... -20
protection class IP		IP67
chemical resistance <ul style="list-style-type: none"> to mineral oil to water to grease 		conditional, must be checked relative to the application conditional, must be checked relative to the application conditional, must be checked relative to the application
degree of pollution		3

Certificates/ approvals

certificate of suitability <ul style="list-style-type: none"> CSA approval RoHS conformity UL approval CCC IEC approval cUL approval C-Tick 		Yes
		Yes
		No
		No
		No
		No
		No

Further information

Information on the packaging

<https://support.industry.siemens.com/cs/ww/en/view/109813875>

Information for data generation and storage

<https://support.industry.siemens.com/cs/ww/en/view/109995012>

Information- and Downloadcenter (Catalogs, Brochures,...)

<https://www.siemens.com/ic10>

Industry Mall (Online ordering system)

<https://mall.industry.siemens.com/mall/en/en/Catalog/product?mlfb=3RK1902-3GB50>

Cax online generator

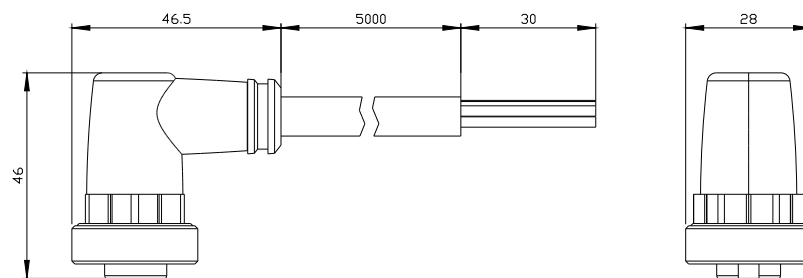
<https://support.automation.siemens.com/WW/CAXorder/default.aspx?lang=en&mlfb=3RK1902-3GB50>

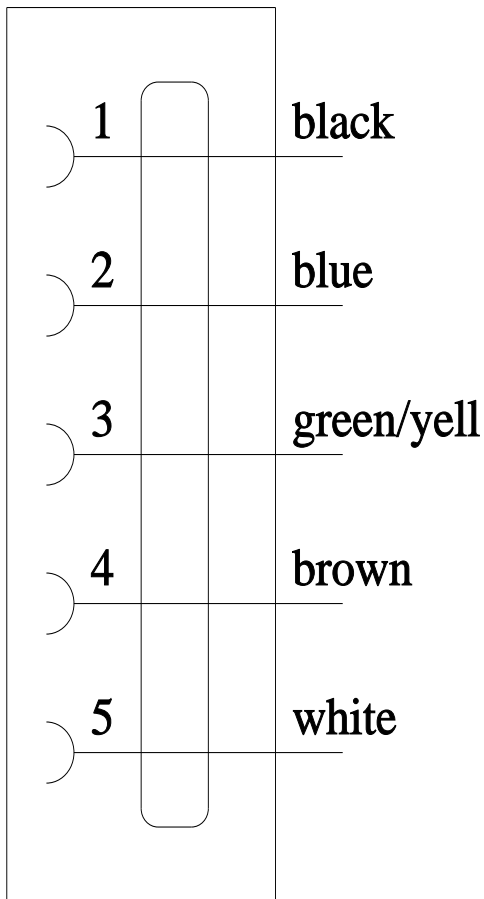
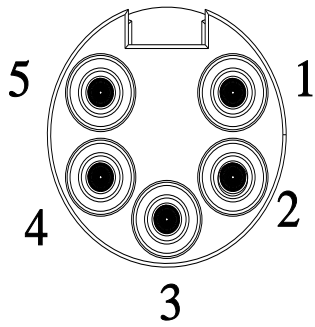
Service&Support (Manuals, Certificates, Characteristics, FAQs,...)

<https://support.industry.siemens.com/cs/ww/en/ps/3RK1902-3GB50>

Image database (product images, 2D dimension drawings, 3D models, device circuit diagrams, EPLAN macros, ...)

https://www.automation.siemens.com/bilddb/cax_de.aspx?mlfb=3RK1902-3GB50&lang=en





last modified:

4/2/2025 