

Bus cable for PROFIBUS Pre-assembled at one end 1xM12 angled, pin 2-core, shielded Length 3 m



General technical data		
product description		M12 socket, angled B coded
wire length	m	3
cable designation		BUS: 1P24-19/2,55 02YS(ST)C11Y
General technical data		
ampacity per pin maximum	A	4
operating voltage		
• at DC maximum	V	60
• at AC maximum	V	60
surge voltage resistance rated value	kV	1.5
impedance		
• at 9.6 kHz	$\Omega$	300
• at 38.4 kHz	$\Omega$	185
• at 3 MHz ... 20 MHz	$\Omega$	150
symmetrical tolerance of wave impedance		
• at 38.4 kHz	$\Omega$	20
• at 3 MHz ... 20 MHz	$\Omega$	15
attenuation factor per length		
• at 9.6 kHz maximum	dB/km	3
• at 38.4 kHz maximum	dB/km	5
• at 4 MHz maximum	dB/km	26
• at 16 MHz maximum	dB/km	52
Mechanical data		
connector type		Socket/open
connector coding of the M12 circular connector		B
number of electrical cores		2
type of cable outlet		angled
number of poles		2
color		
• of cable sheath		Violet
• of the insulation of data wires		Red, green
material		
• of cable sheath		Polyurethane
• of the wire insulation		Polyethylene
• of the enclosure		Thermoplastic polyurethane
design of the shield		Shielding braid of tinned copper wire
type of strain relief		molded
bending radius		
• with single bend minimum permissible	mm	58.5
• with multiple bends minimum permissible	mm	78

<b>number of bending cycles</b>		5 000 000
<b>mechanical service life (mating cycles)</b>		100
<b>outer diameter</b>		
• of inner conductor	mm	0.64
• of the cable	mm	7.8
<b>symmetrical tolerance of the outer diameter of the cable</b>	mm	0.2
<b>conductor cross section rated value</b>	mm <sup>2</sup>	0.25
<b>type of plug interlock</b>		M12 x 1 thread
<b>cable end components</b>		open on one side

#### Ambient conditions

<b>chemical resistance</b>		
• to mineral oil		conditional, must be checked relative to the application
• to water		conditional, must be checked relative to the application
• to grease		conditional, must be checked relative to the application
<b>degree of pollution</b>		3

#### Certificates/ approvals

<b>certificate of suitability</b>		
• CSA approval		Yes
• RoHS conformity		Yes
• UL approval		Yes
• CCC		No
• IEC approval		Yes
• cUL approval		No
• C-Tick		No

#### Further information

##### Information on the packaging

<https://support.industry.siemens.com/cs/ww/en/view/109813875>

##### Information for data generation and storage

<https://support.industry.siemens.com/cs/ww/en/view/109995012>

##### Information- and Downloadcenter (Catalogs, Brochures,...)

<https://www.siemens.com/ic10>

##### Industry Mall (Online ordering system)

<https://mall.industry.siemens.com/mall/en/en/Catalog/product?mlfb=3RK1902-1GB30>

##### Cax online generator

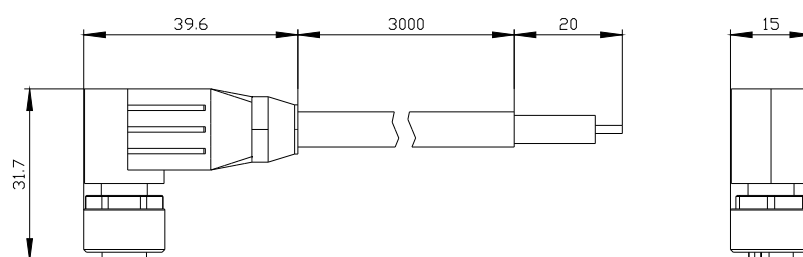
<https://support.automation.siemens.com/WW/CAXorder/default.aspx?lang=en&mlfb=3RK1902-1GB30>

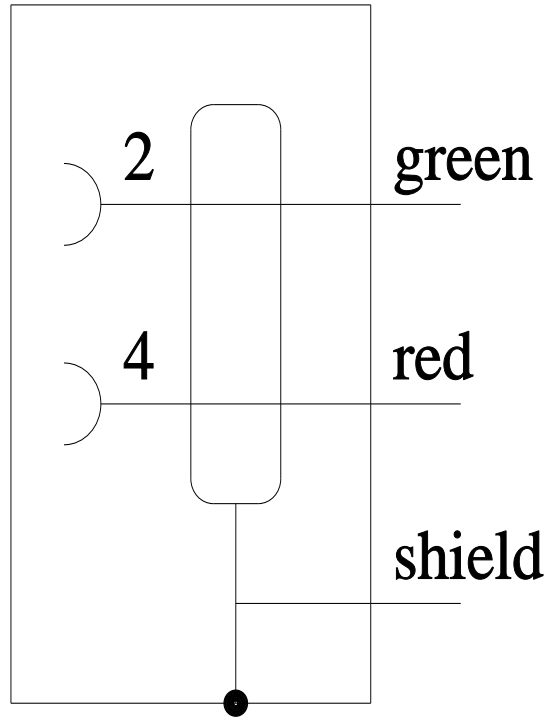
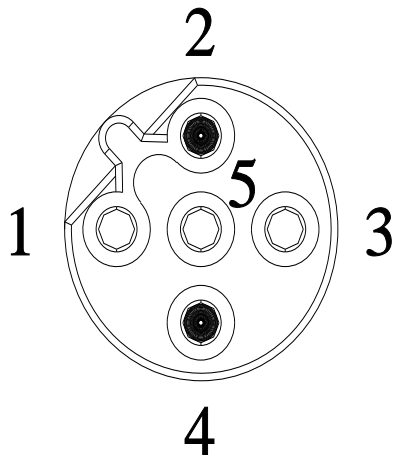
##### Service&Support (Manuals, Certificates, Characteristics, FAQs,...)

<https://support.industry.siemens.com/cs/ww/en/ps/3RK1902-1GB30>

##### Image database (product images, 2D dimension drawings, 3D models, device circuit diagrams, EPLAN macros, ...)

[https://www.automation.siemens.com/bilddb/cax\\_de.aspx?mlfb=3RK1902-1GB30&lang=en](https://www.automation.siemens.com/bilddb/cax_de.aspx?mlfb=3RK1902-1GB30&lang=en)





last modified:

4/2/2025 