

Cover for 9-pole power sockets



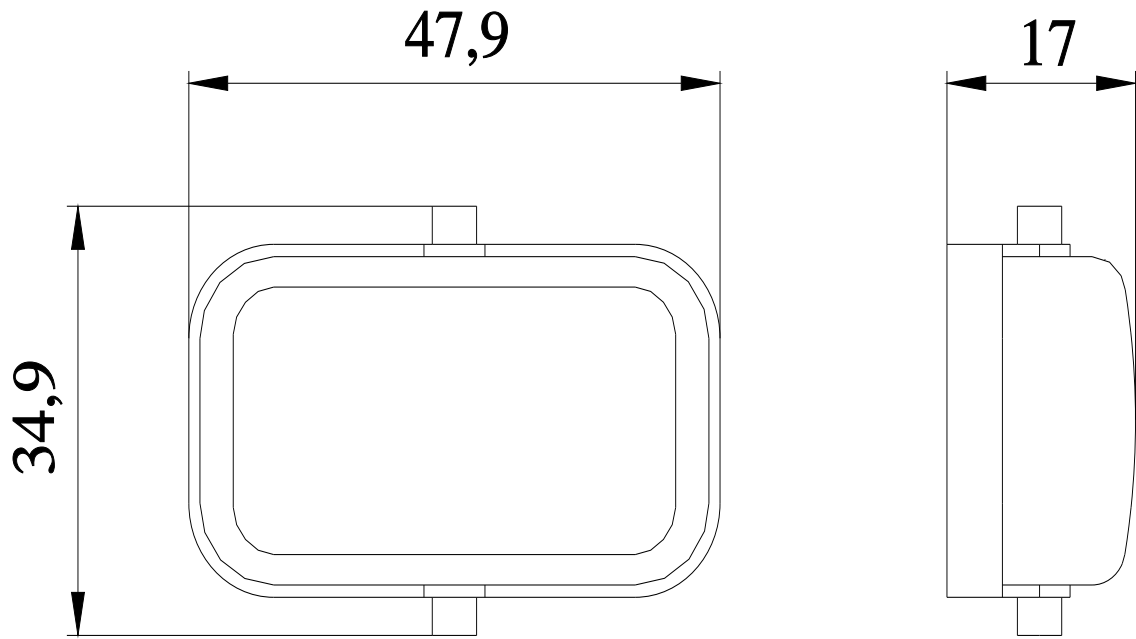
Substance Prohibitance (Date)	05/01/2012	
Weight	0.012 kg	
Electrical Safety		
protection class IP on the front according to IEC 60529	IP20	
touch protection on the front according to IEC 60529	finger-safe	
Ambient conditions		
ambient temperature		
• during operation	55 ... -25 °C	
• during storage	-40 ... +70 °C	
Approvals Certificates		
General Product Approval	EMV	other



other	Environment
<a href="#">Confirmation</a>	<a href="#">Environmental Confirmations</a>

**Further information**

Information on the packaging  
<https://support.industry.siemens.com/cs/ww/en/view/109813875>  
 Information for data generation and storage  
<https://support.industry.siemens.com/cs/ww/en/view/109995012>  
 Information- and Downloadcenter (Catalogs, Brochures,...)  
<https://www.siemens.com/ic10>  
 Industry Mall (Online ordering system)  
<https://mall.industry.siemens.com/mall/en/en/Catalog/product?mlfb=3RK1902-0CK00>  
 Cax online generator  
<https://support.automation.siemens.com/WW/CAXorder/default.aspx?lang=en&mlfb=3RK1902-0CK00>  
 Service&Support (Manuals, Certificates, Characteristics, FAQs,...)  
<https://support.industry.siemens.com/cs/ww/en/ps/3RK1902-0CK00>  
 Image database (product images, 2D dimension drawings, 3D models, device circuit diagrams, EPLAN macros, ...)  
[https://www.automation.siemens.com/bilddb/cax\\_de.aspx?mlfb=3RK1902-0CK00&lang=en](https://www.automation.siemens.com/bilddb/cax_de.aspx?mlfb=3RK1902-0CK00&lang=en)



---

last modified:

4/2/2025 